

Product designation				Rotary cam switches
Product type designation				GX40
<b>General characteristics</b>				
Switching diagram				26 - 3-phase motor reversing switch with spring return
N° of elements				3
Mounting form				U25 - Front mounting with red/yellow handle padlockable in 0 and protection covers
<b>Contact characteristics</b>				
Rated insulation voltage $U_i$	IEC/EN	V	690	
	UL/CSA	V	600	
Rated impulse withstand voltage $U_{imp}$		kV	6	
Conventional free air thermal current $I_{th}$	IEC/EN	A	40	
	UL/CSA	A	40	
Rated operational voltage		V	440	
Rated operational impulse voltage		kV	4	
Maximum fuse size for short-circuit protection $I_n$ (gG)	10kA	A	40	
	15kA	A	35	
	25kA	A	35	
Rated short time current $I_{cw}$	1s	A	1000	
Conductivity				10/5 mA/V
Operational current $I_e$ IEC/EN				
AC1/AC21A		A	40	
AC15	110V	A	25	
	220/230V	A	22	
	380/400V	A	12	
	660/690V	A	2	
Rated operational power in AC				
Three-phase AC-3	220/230V	kW	7.5	
	380/440V	kW	15	
	500/690V	kW	15	
Single-phase AC-3	110V	kW	2.2	
	220/230V	kW	4.4	
	380/440V	kW	7	
Three-phase AC23A	220/230V	kW	9	
	380/440V	kW	18.5	
	500/690V	kW	15	
Single-phase AC23A				

	110V	kW	3
	220/230V	kW	5.2
	380/440V	kW	7.5
<hr/>			
Rated operational current in DC			
DC21A	48V	A	40
	60V	A	40
	110V	A	6
	220V	A	0.8
	440V	A	0.25
<hr/>			
DC23A (poles in series)	24V	A	40 (1)
	48V	A	40 (1)
	60V	A	40 (3)
	110V	A	40 (3)
	220V	A	12 (4)
<hr/>			
DC13	24V	A	40
	48V	A	32
	60V	A	16
	110V	A	3
	220V	A	0.5
	440V	A	0.15
<hr/>			
Power dissipation		W	1.6
<b>Mechanical features</b>			
Terminals screw			M4
Tightening torque for terminals max		Nm	1.2
<hr/>			
Conductor size			
AWG - Rigid cable	min	AWG	16
	Max	AWG	8
<hr/>			
AWG - Flexible cable	min	AWG	16
	Max	AWG	10
<hr/>			
Conductor size (IEC) - Flexible cable	min	mm <sup>2</sup>	1.5
	Max	mm <sup>2</sup>	6
<hr/>			
Conductor size (IEC) - Rigid cable	min	mm <sup>2</sup>	1.5
	Max	mm <sup>2</sup>	10
<hr/>			
Mechanical life		cycles	1X10 <sup>6</sup>
<b>UL technical data</b>			
Motor power for direct-on-line control			
for three-phase motor	120V	HP	5
	240V	HP	10
	480V	HP	15
	600V	HP	15
<hr/>			
for single-phase motor	120V	HP	2
	240V	HP	5

**Ambient conditions**

Temperature

Operating temperature

min	°C	-25
max	°C	+55

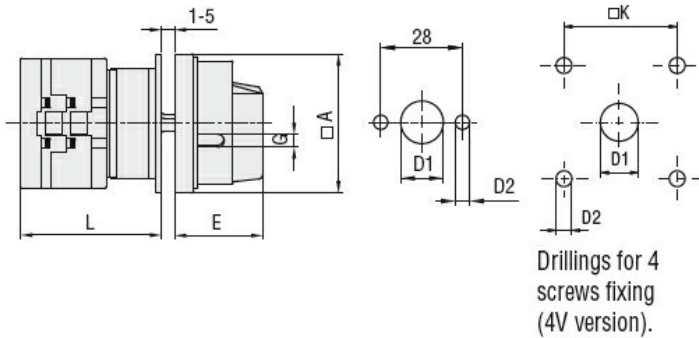
Storage temperature

min	°C	-40
max	°C	+70

**Resistance & Protection**

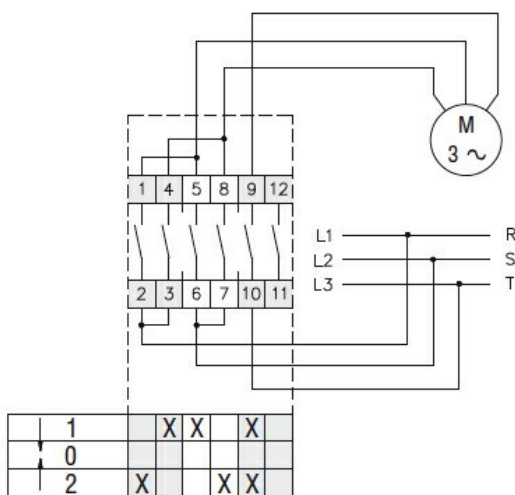
Frontal IP degree	IP65
Terminals IP degree	IP20

**Dimensions**



Series	Dimensions						L			
	□A	D1	D2	E	G	□K	1	2	3...12	
<b>GX16</b>	48	12	5	34.2	5	36	43	51.5	60	136.5
<b>GX20</b>	48	12	5	34.2	5	36	43	51.5	60	136.5
<b>GX32</b>	65	14	5	38	6	48	51	63	75	183
<b>GX40</b>	65	14	5	38	6	48	51	63	75	183

**Wiring diagrams**



**Certifications and compliance**

**Compliance**

- CSA C22.2 n° 14
- IEC/EN/BS 60947-1
- IEC/EN/BS 60947-3
- IEC/EN/BS 60947-5-1
- IEC/EN/BS 61058-1
- UL60947-4-1

---

Certificates

cULus

---

EAC

ETIM classification

ETIM 8.0

EC001029 -  
Selector switch,  
complete