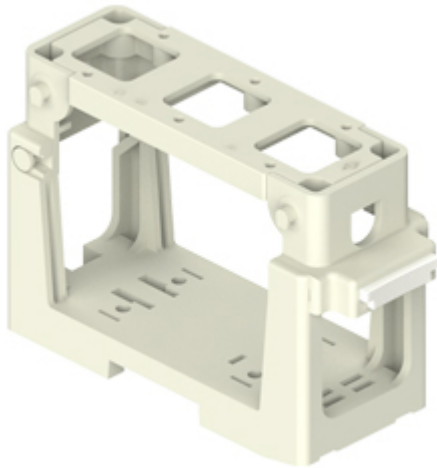


Part number

COB 03/3 BC



Connector carrier baseplate for mounting on DIN EN60715 rail or with screws, COB panel supports series, for 3 bulkhead mounting housings size "21.21"

Product description

Product type	Connector carrier baseplate for mounting on DIN EN60715 rail or with screws
Series	COB panel supports
Specification	For 3 bulkhead mounting housings size "21.21"

Technical data

IP degree of protection	IP20
--------------------------------	------

Further technical details

Weight	101,50 g
Operating temperature range (min, max)	-40°C...+125°C

Material properties

Colour	RAL 7032 grey
RoHs conformity	Compliant with exemption 6(c): copper alloy containing up to 4% lead by weight
China RoHs - EFUP	50
REACH SVHC substances	Yes Lead
SCIP number	B008b8e4-629e-4e70-ab7d-b3b67464925d

Approvals / Standards

Certifications	DNV, BV
UL	ECBT2
cUL	ECBT8

General ordering information

EAN13 code	8015747266529
eCl@ss 8.1	27440206
ETIM 7.0	EC002312

Packaging Information

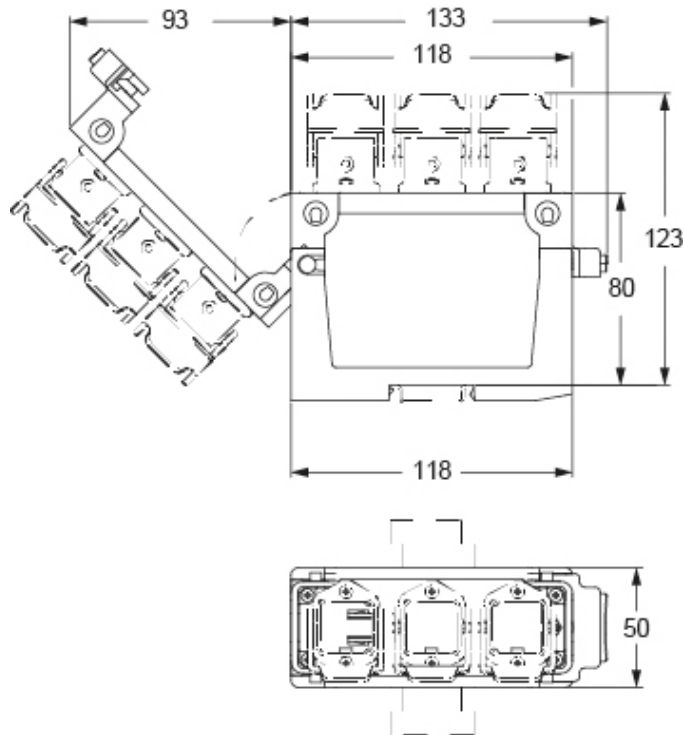
Packaging length	330,00 mm
Packaging height	170,00 mm
Packaging width	230,00 mm
Packaging weight	1,39 kg
Packaging volume	12,90 dm ³
Packaging description	Carton box
Packaging quantity	10 Pcs
Packaging EAN code	8015747266536
Sub-packaging weight	0,14 kg
Sub-packaging description	Plastic bag
Sub-packaging quantity	1 Pcs
Sub-packaging EAN barcode	8015747266543

Part number

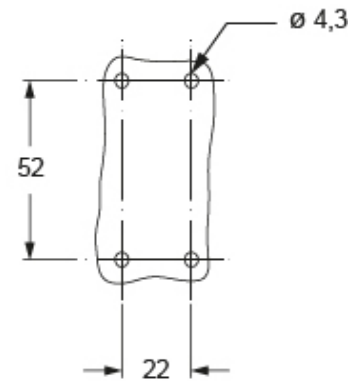
COB 03/3 BC



Catalogue drawings



Catalogue drawings



Notes

Dimensions shown in mm are not binding and may be changed without notice.