

TECHNICAL DATA

Product type	<u>XLR Cable Connectors</u>
Product NO.	<u>SCWM3</u>

SCWM3 Product Appearance



Product features

- ✓ Waterproof XLR connector range for outdoor waterproof class IP65.
- ✓ Strong zinc die-casting shell, long life and high reliability.
- ✓ Metal housing with inner thread increase retention force and makes assembly easier and faster.
- ✓ Colored boots available for coding or identification.
- ✓ Boot with polyurethane gland gives high protection to cable bending stresses.

Technical parameters**1.Product parameters**

Connection Type	XLR
Gender	male

2.Electrical parameters

Capacitance between contacts	≤4pF
Contact resistance	≤3mΩ
Dielectric strength	1.5kVdc
Insulation resistance	>10GΩ (initial)
Rated current per contact	16A
Rated voltage	<50V

3.Mechanical parameters

Sign Cable O.D.	5-8mm
Insertion force	≤ 20N
Withdrawal force	≤ 20N
Service life	> 1000 mating cycles
Wire size	Max. 2.5 mm ²
Wire size	Max. 14 AWG
Locking device	Latch lock

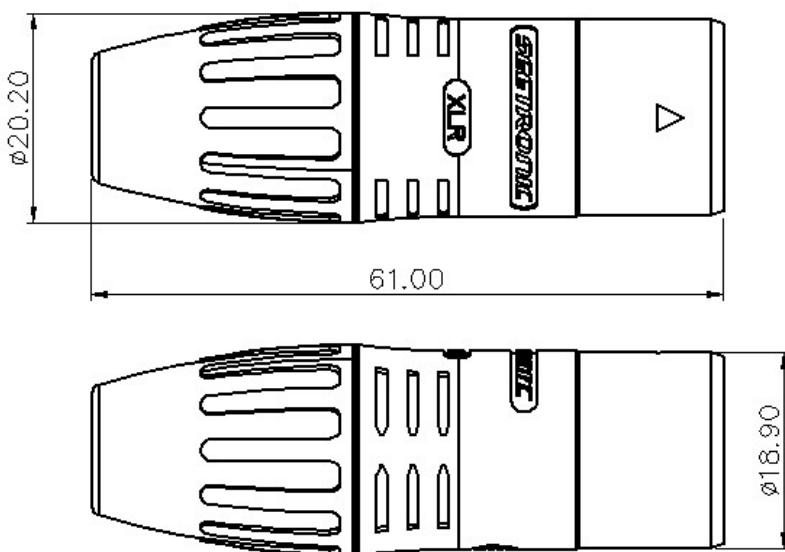
4. Material and environmental parameters

Boot	Polyurethan
Contacts	Cu alloy
Contact plating	Au
Insert	Polyamide (PA 66 +30 % GF)
Shell	Zinc diecast (ZnAl4Cu1)
Shell plating	Cr
Strain relief	Polyacetal (POM)
Flame-retardant grade	UL 94 HB
Protection class	IP65
Temperature range	-30°Cto +80°C

5. Standard

Standard	IEC 61076-2-103
Solderability	Complies with IEC 68-2-20

Product Profile



: mm

Installation instruction

