

Part number

# CQS 08 IA



Angled Bulkhead mounting housing, EMC series, with 1 lever without cable entry, size "32.13"

#### Product description

<b>Product type</b>	Angled bulkhead mounting housing
<b>Series</b>	EMC
<b>Closing type</b>	With 1 lever
<b>Size</b>	Size "32.13"
<b>Cable entry</b>	Without cable entry

#### Technical data

<b>IP degree of protection</b>	IP65 / IP66 / IP69
--------------------------------	--------------------

#### Further technical details

<b>Weight</b>	36,00 g
<b>Operating temperature range (min, max)</b>	-40°C...+125°C

#### Material properties

<b>Other materials</b>	Lever: Polyamide (PA) Gasket: conductive elastomer
<b>RoHs conformity</b>	Compliant
<b>China RoHs - EFUP</b>	E
<b>REACH SVHC substances</b>	No

#### Approvals / Standards

<b>Certifications</b>	DNV, BV
<b>UL</b>	ECBT2
<b>cUL</b>	ECBT8

#### General ordering information

<b>EAN13 code</b>	8015747175128
<b>eCl@ss 8.1</b>	27440202
<b>ETIM 7.0</b>	EC000437

#### Packaging Information

<b>Sub-packaging weight</b>	0,04 kg
<b>Sub-packaging description</b>	Plastic bag
<b>Sub-packaging quantity</b>	1 Pcs
<b>Sub-packaging EAN barcode</b>	8015747175159

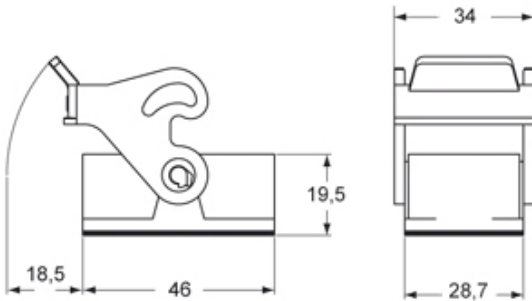
Part number

# CQS 08 IA

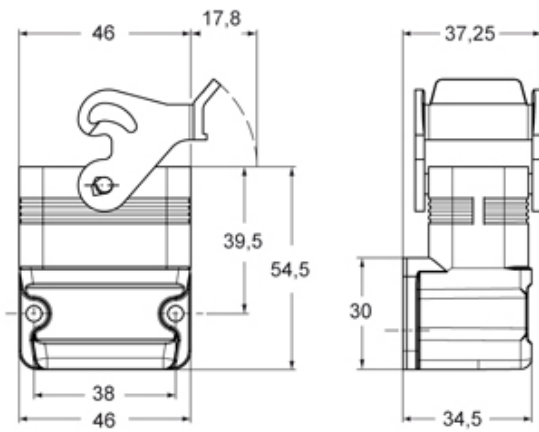


Catalogue drawings

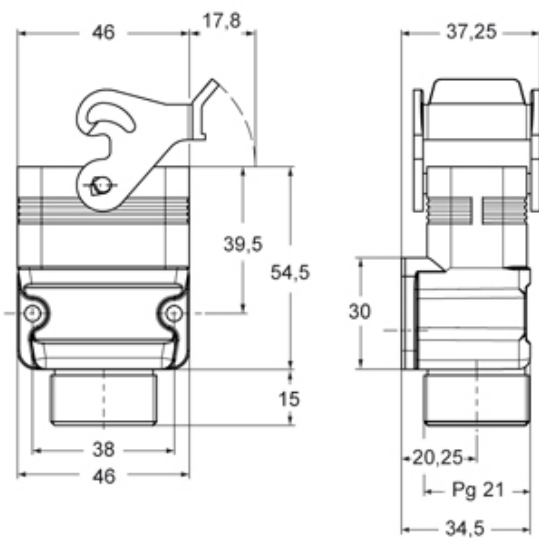
CQS I



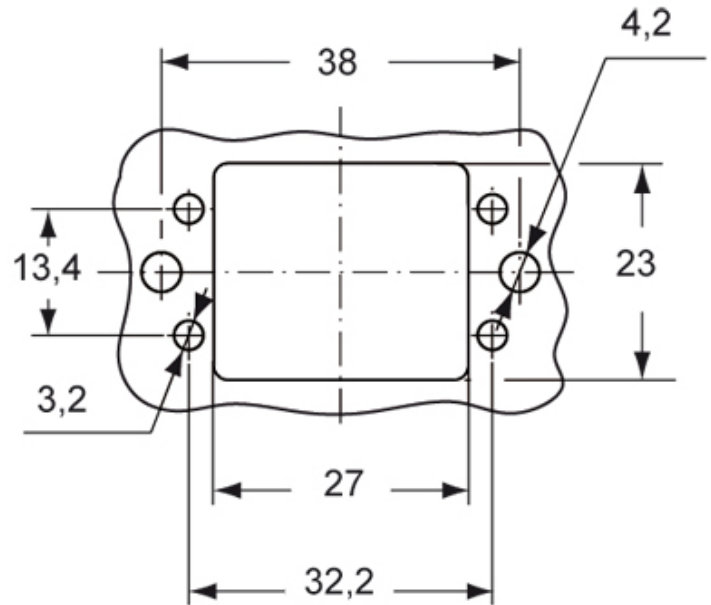
CQS IA



CQS IAP



Catalogue drawings



Notes

CQS enclosures:

- metallized thermoplastic enclosures
  - when using EMC CQS 08 series enclosures, please remove the gasket from the male insert and replace it with the CR 08 EMC conductive gasket
  - CQ 08 IAP/V/VG version with Pg male thread on outside of enclosure
- 

Dimensions shown in mm are not binding and may be changed without notice.

---