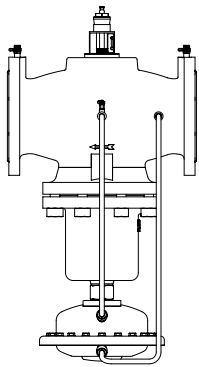
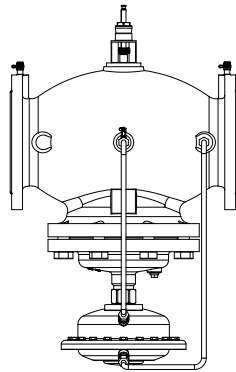


SpaceLogic PIBCV

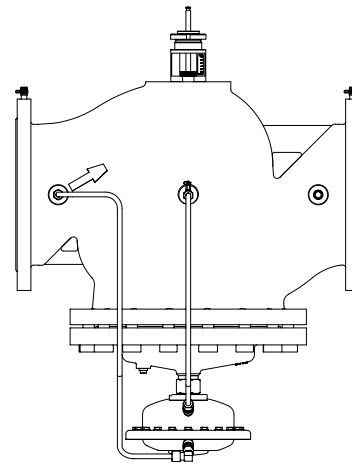
VP221A / VP221F / VP222F / VP222A



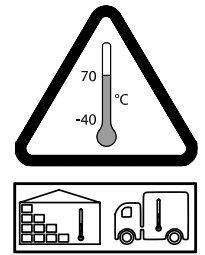
VP221F, VP221A
(DN 125)



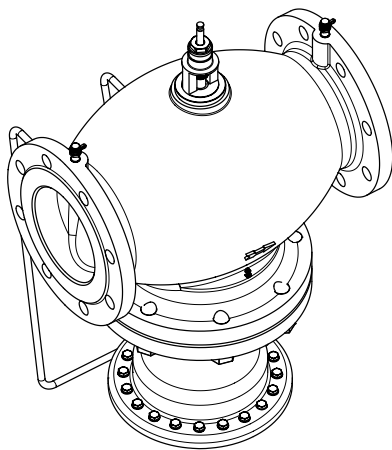
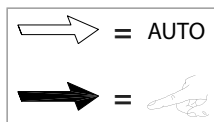
VP221F, VP221A
(DN 150)



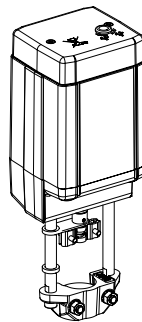
VP222F, VP222A
(DN 200-250)



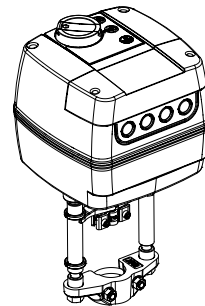
Installation / Einbau / Installation / Montaż / 安装 / Монтаж / Instalación



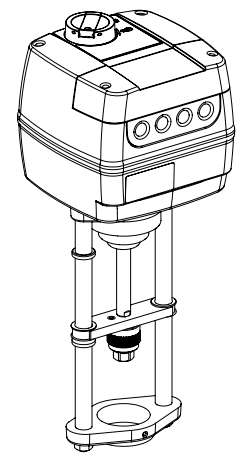
+



MP2000
(DN 125/150)



MP2000-SRU/SRD/NSR
(DN 125/150)



MP4000
(DN 200/250)



+



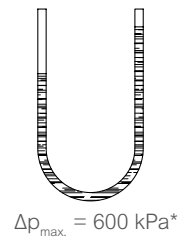
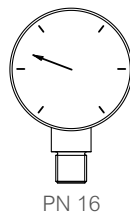
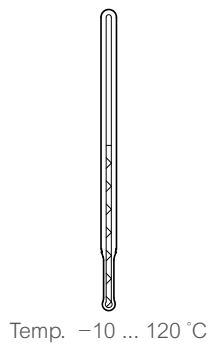
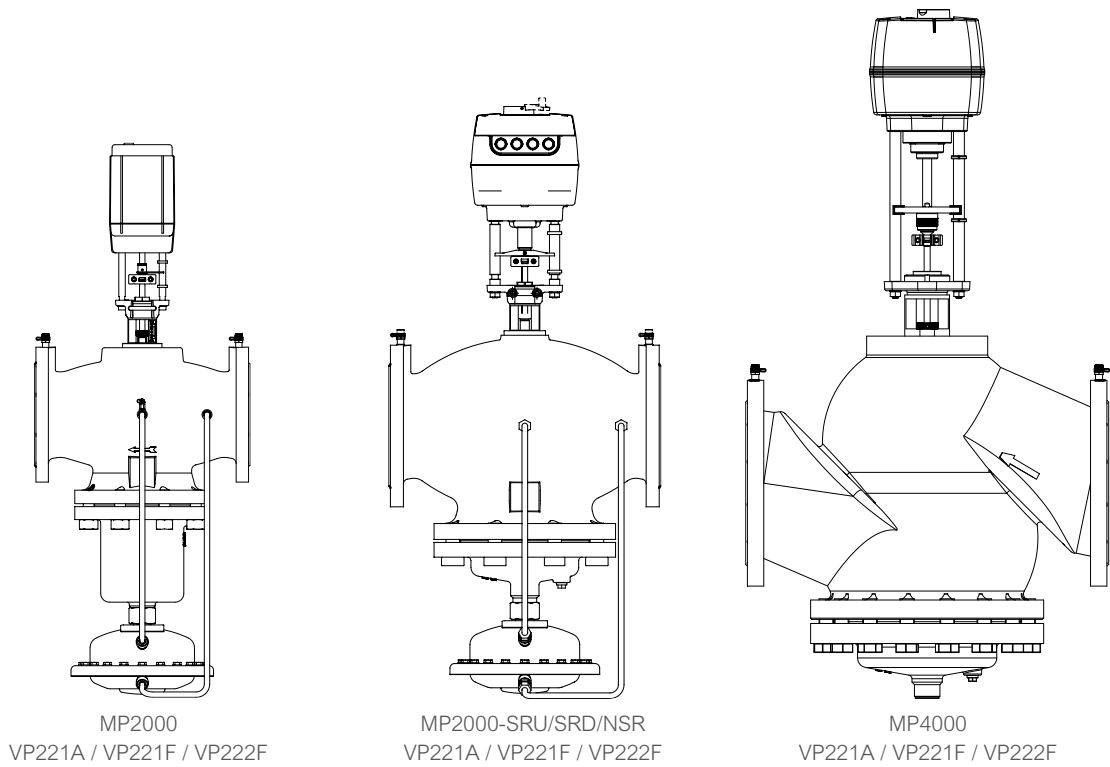
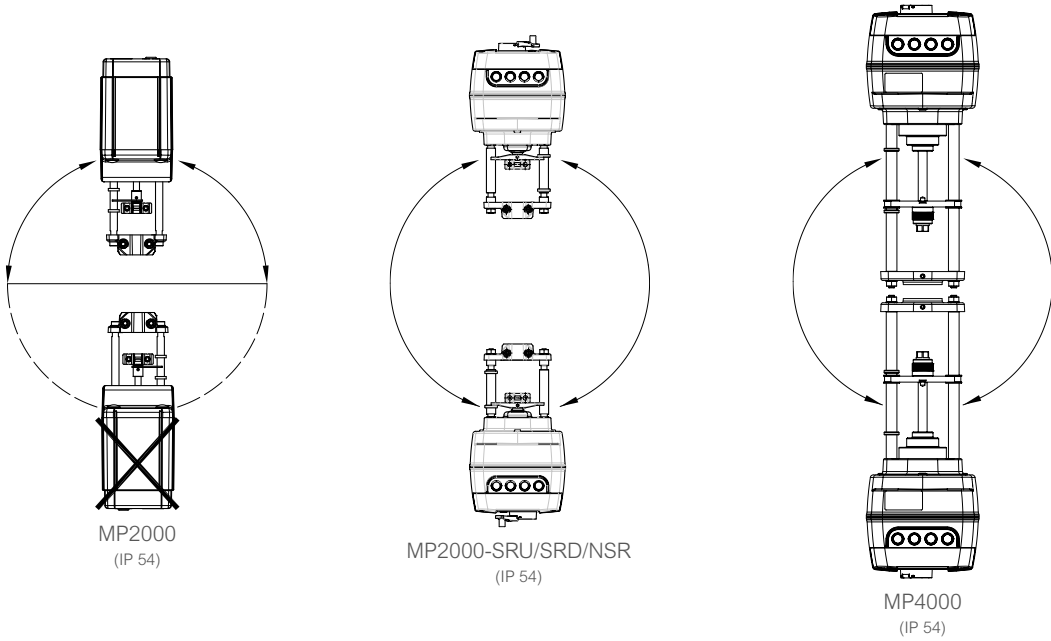
Code No.: 9114071000 DN 125-150
9114072000 DN 200-250

North America (USA): +1 888 444 1311
Europe, Middle East & Africa (Sweden): +46 10 478 2000
Asia Pacific (Singapore): +65 6484 7877
product.support@schneider-electric.com
www.schneider-electric.com

Life Is On

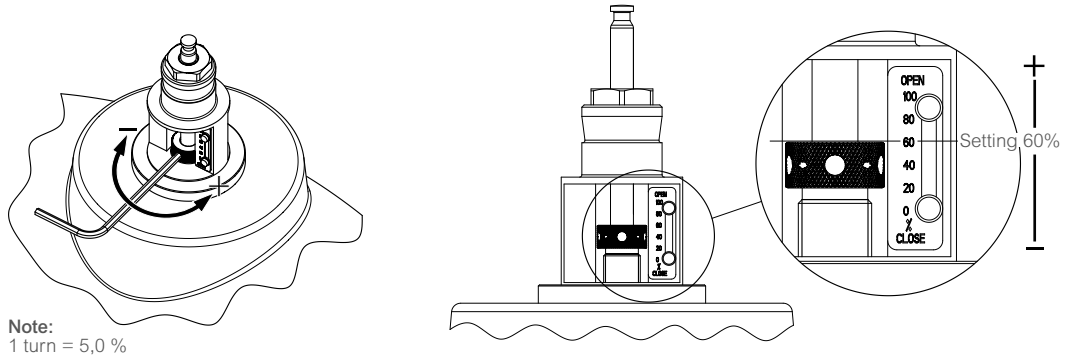
Schneider
Electric

Installation / Einbau / Installation / Montaż / 安装 / Монтаж / Instalación



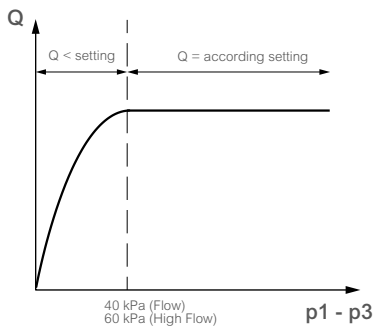
* In case PIBCV is used above 400 kPa differential pressure contact Schneider design center to assure proper design.

Setting / Einstellung / Réglage / Wykonywanie nastawy / 设定 / Настройка / Ajuste



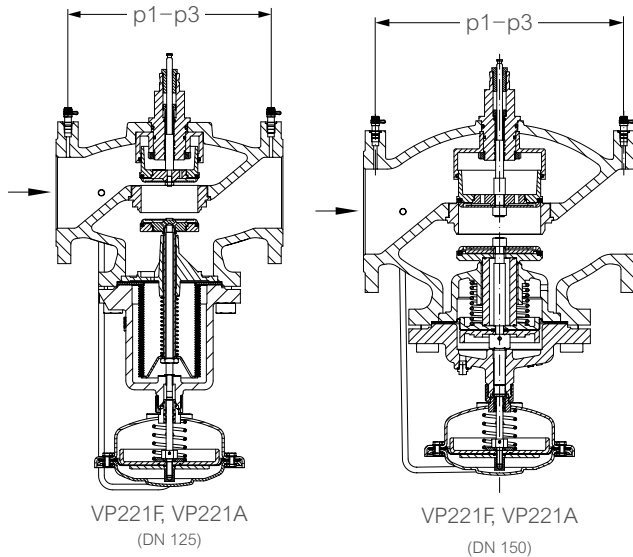
Note:
1 turn = 5,0 %

Measuring / Messung / Mesure / Wykonywanie pomiarów / 測量 / Измерение / Medida



| DN 125 | Flow | | | High Flow | | |
|--------|--------|-------|-----|-----------|-------|-----|
| | L/h | L/s | GPM | L/h | L/s | GPM |
| 40% | 36.000 | 10,00 | 158 | 44.000 | 12,22 | 194 |
| 45% | 40.500 | 11,25 | 178 | 49.500 | 13,75 | 218 |
| 50% | 45.000 | 12,50 | 188 | 55.000 | 15,28 | 242 |
| 55% | 49.500 | 13,75 | 218 | 60.500 | 16,81 | 266 |
| 60% | 54.000 | 15,00 | 238 | 66.000 | 18,33 | 290 |
| 65% | 58.500 | 16,25 | 257 | 71.500 | 19,86 | 315 |
| 70% | 63.000 | 17,50 | 277 | 77.000 | 21,39 | 339 |
| 75% | 67.500 | 18,75 | 297 | 82.500 | 22,92 | 363 |
| 80% | 72.000 | 20,00 | 317 | 88.000 | 24,44 | 387 |
| 85% | 76.500 | 21,25 | 337 | 93.500 | 25,97 | 411 |
| 90% | 81.000 | 22,50 | 356 | 99.000 | 27,50 | 436 |
| 95% | 85.500 | 23,75 | 376 | 104.500 | 29,03 | 460 |
| 100% | 90.000 | 25,00 | 395 | 110.000 | 30,56 | 485 |

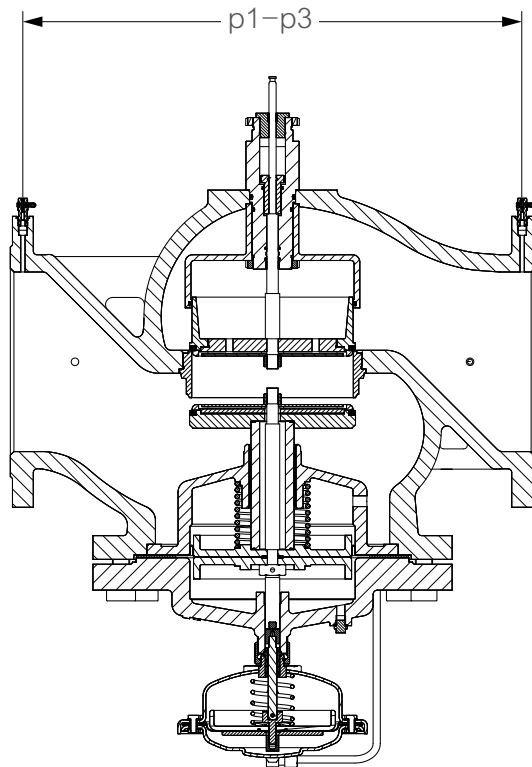
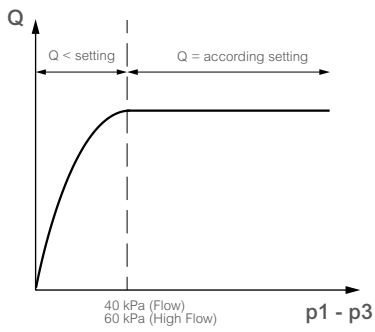
Note: 1 turn = 5,0%



| DN 150 | Flow | | | High Flow | | |
|--------|---------|-------|-----|-----------|-------|-----|
| | L/h | L/s | GPM | L/h | L/s | GPM |
| 40% | 58.000 | 16,11 | 255 | 76.000 | 21,11 | 334 |
| 45% | 65.250 | 18,13 | 287 | 85.500 | 23,75 | 376 |
| 50% | 72.500 | 20,14 | 319 | 95.000 | 26,39 | 418 |
| 55% | 79.750 | 22,15 | 351 | 104.500 | 29,03 | 460 |
| 60% | 87.000 | 24,17 | 383 | 114.000 | 31,67 | 502 |
| 65% | 94.250 | 26,18 | 415 | 123.500 | 34,31 | 543 |
| 70% | 101.500 | 28,19 | 447 | 133.000 | 36,94 | 585 |
| 75% | 108.750 | 30,21 | 479 | 142.500 | 39,58 | 627 |
| 80% | 116.000 | 32,22 | 510 | 152.000 | 42,22 | 669 |
| 85% | 123.250 | 34,24 | 542 | 161.500 | 44,86 | 711 |
| 90% | 130.500 | 36,25 | 574 | 171.000 | 47,50 | 752 |
| 95% | 137.750 | 38,26 | 606 | 180.500 | 50,14 | 794 |
| 100% | 145.000 | 40,28 | 640 | 190.000 | 52,78 | 830 |

Note: 1 turn = 5,0%

Measuring / Messung / Measure / Wykonywanie pomiarów / 測量 / Измерение / Medida



VP222F, VP222A
(DN 200-250)

| DN200 | Flow | | | High Flow | | |
|-------|---------|-------|-----|-----------|-------|------|
| | L/h | L/s | GPM | L/h | L/s | GPM |
| 40% | 80.000 | 22,22 | 352 | 108.000 | 30,00 | 475 |
| 45% | 90.000 | 25,00 | 396 | 121.500 | 33,75 | 535 |
| 50% | 100.000 | 27,78 | 440 | 135.000 | 37,50 | 594 |
| 55% | 110.000 | 30,56 | 484 | 148.500 | 41,25 | 653 |
| 60% | 120.000 | 33,33 | 528 | 162.000 | 45,00 | 713 |
| 65% | 130.000 | 36,11 | 572 | 175.500 | 48,75 | 772 |
| 70% | 140.000 | 38,89 | 616 | 189.000 | 52,50 | 832 |
| 75% | 150.000 | 41,67 | 660 | 202.500 | 56,25 | 891 |
| 80% | 160.000 | 44,44 | 704 | 216.000 | 60,00 | 950 |
| 85% | 170.000 | 47,22 | 748 | 229.500 | 63,75 | 1010 |
| 90% | 180.000 | 50,00 | 792 | 243.000 | 67,50 | 1069 |
| 95% | 190.000 | 52,78 | 836 | 256.500 | 71,25 | 1129 |
| 100% | 200.000 | 55,56 | 880 | 270.000 | 75,00 | 1188 |

Note: 1 turn = 5,0%

| DN250 | Flow | | | High Flow | | |
|-------|---------|-------|------|-----------|--------|------|
| | L/h | L/s | GPM | L/h | L/s | GPM |
| 40% | 120.000 | 33,33 | 528 | 148.000 | 41,11 | 651 |
| 45% | 135.000 | 37,50 | 594 | 166.500 | 46,25 | 733 |
| 50% | 150.000 | 41,67 | 660 | 185.000 | 51,39 | 814 |
| 55% | 165.000 | 45,83 | 726 | 203.500 | 56,53 | 895 |
| 60% | 180.000 | 50,00 | 792 | 222.000 | 61,67 | 977 |
| 65% | 195.000 | 54,17 | 858 | 240.500 | 66,81 | 1058 |
| 70% | 210.000 | 58,33 | 924 | 259.000 | 71,94 | 1140 |
| 75% | 225.000 | 62,50 | 990 | 277.500 | 77,08 | 1221 |
| 80% | 240.000 | 66,67 | 1056 | 296.000 | 82,22 | 1302 |
| 85% | 255.000 | 70,83 | 1122 | 314.500 | 87,36 | 1384 |
| 90% | 270.000 | 75,00 | 1188 | 333.000 | 92,50 | 1465 |
| 95% | 285.000 | 79,17 | 1254 | 351.500 | 97,64 | 1547 |
| 100% | 300.000 | 83,33 | 1320 | 370.000 | 102,78 | 1630 |

Note: 1 turn = 5,0%

Note: 1 turn = 5% / Hinweis: 1 Umdrehung = 5 % / Remarque : 1 tour = 5 %. / Uwaga: 1 obrót = 5% / 注意: 1圈=5% / Примечание: 1 оборот = 5 % / Nota: 1 vuelta = 5 %.

Flow / Flüssigkeitsstrom / Débit / Przepływ / 水流 / Расход теплоносителя / Flujo

| | | |
|---|---|--|
|  | UK Representative | Manufacturer |
| | Schneider Electric Limited Stafford Park 5 Telford, TF3 3BL United Kingdom | Schneider Electric Fabriksvägen 1 137 37 Västerhaninge Sweden |