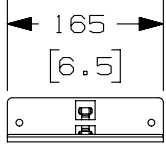


THIS COPY IS PROVIDED ON A RESTRICTED BASIS AND IS NOT TO BE USED IN ANY WAY DETRIMENTAL TO THE INTERESTS OF PANDUIT CORP.



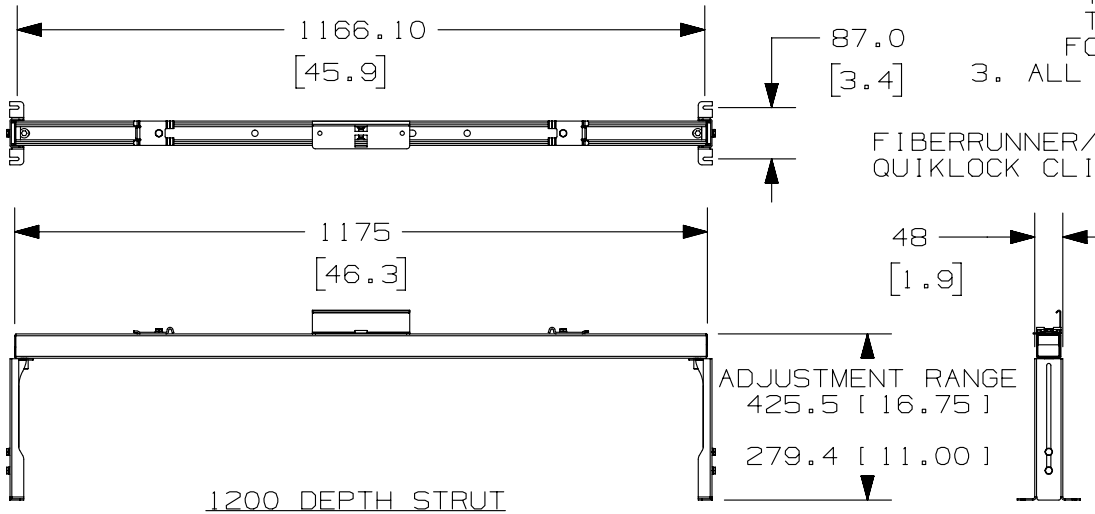
PANDUIT PART NUMBER	WEIGHT
WGCMK1200**	11.25 LBS (5.10 kg)

NOTES:

- VISIT OUR ON-LINE CATALOG AT WWW.PANDUIT.COM FOR A LIST OF CURRENT PARTS APPLICABLE FOR USE WITH THIS PRODUCT.
- THE WYR-GRID CABINET MOUNT BRACKET 1200 KIT PACKAGE CONTAINS THE FOLLOWING:
 - ONE (1) WYR-GRID CENTER SUPPORT BRACKET
 - TWO (2) WYR-GRID UPRIGHT SUPPORT BRACKETS
 - TWO (2) WYR-GRID/FIBERRUNNER QUIKLOCK CLIP ASSEMBLY
 - ONE (1) TOP OF CABINET 1200 DEPTH STRUT ASSEMBLY
 - TWO (2) M10 X 1.5 X 30 SOCKET HEAD CAP SCREW
 - TWO (2) M10 HELICAL SPRING LOCKWASHER
 - FOUR (4) M5 BUTTON HEAD TORX SCREWS
- ALL DIMENSIONS IN PARENTHESES ARE INCHES.

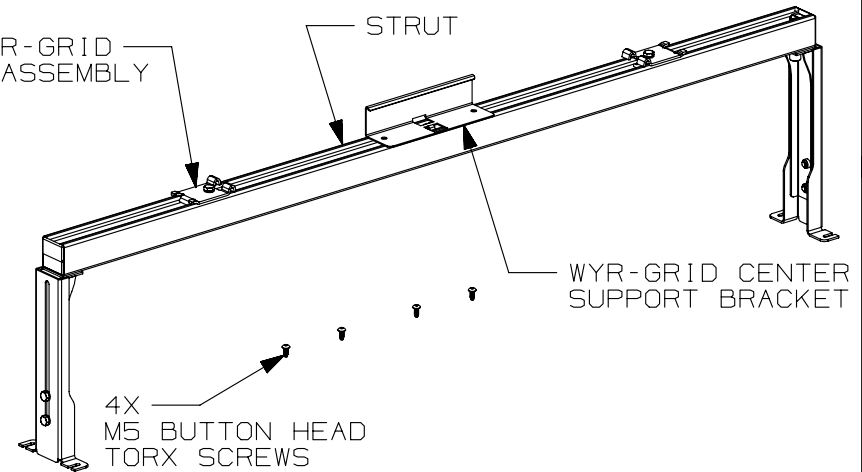


WYR-GRID CENTER SUPPORT BRACKET



1200 DEPTH STRUT

FIBERRUNNER/WYR-GRID QUIKLOCK CLIP ASSEMBLY



01A	12-16-14	TWV	DWR		RELEASED TO PRODUCTION				V09000DB

TITLE		WYR-GRID CABINET MOUNT BRACKET 1200 (WGCMK1200**)		
		CUSTOMER DRAWING		
ITEM REVISION NAME		14D419AG/01		
DATASET FILE NAME		14D419AG_DC/01A WGCMK1200**		
UNLESS OTHERWISE SPECIFIED, DIMENSIONAL TOLERANCES ARE:		MATERIAL:		
INCHES	METRIC - MILLIMETER	ANGLE		
X.X +/- 0.18	X.X +/- 0.57	N/A		
X.XX +/- 0.10	X.X +/- 2.54			
X.XXX +/- 0.036	X.XX +/- 0.92			
DRAWN BY		DATE		SCALE
TWO		12-16-14		NONE
CHK		DWR		SIZE
				A

REV	DATE	BY	CHK	APR	DESCRIPTION	ECN	DRAWN BY	DATE	CHK	SCALE	DRAWING NUMBER	SIZE
							TWV	12-16-14	DWR	NONE	SHT 1 OF 1	A