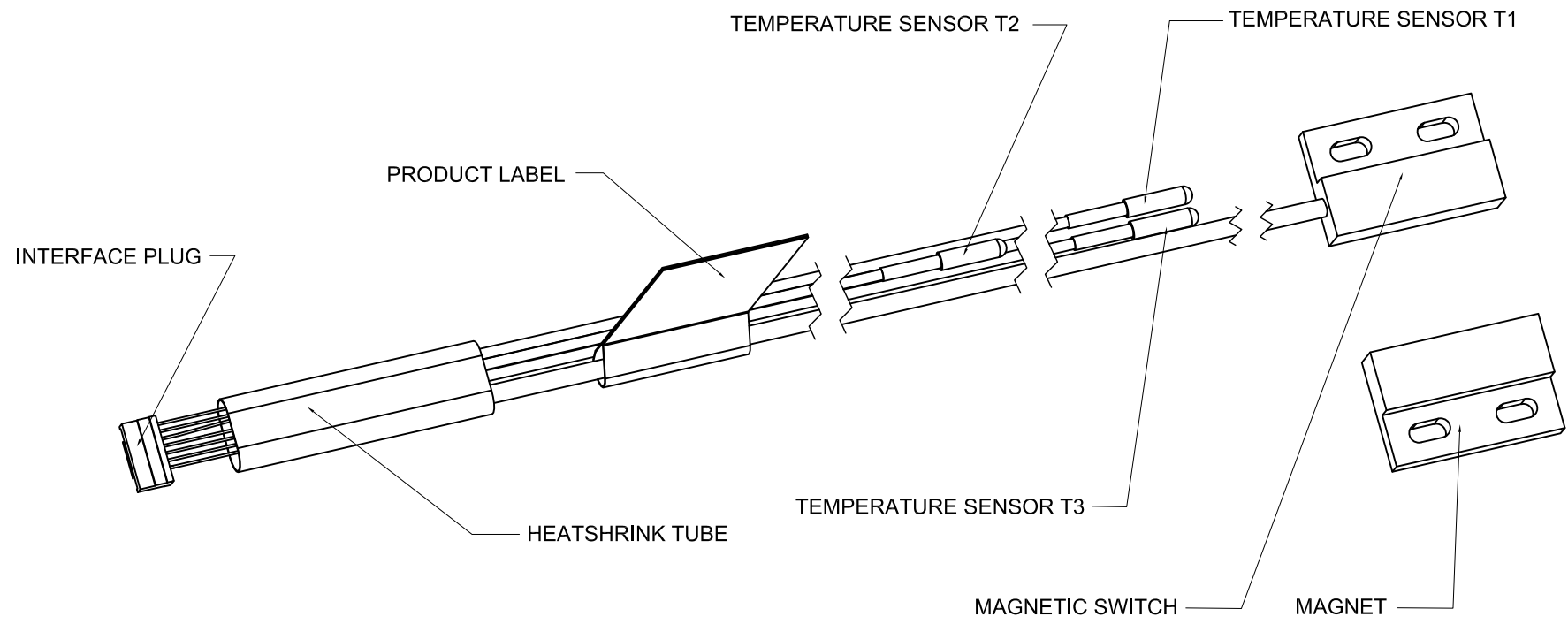


THIS COPY IS PROVIDED ON A RESTRICTED BASIS AND IS NOT TO BE USED IN ANY WAY DETRIMENTAL TO THE INTERESTS OF PANDUIT CORP.

PANDUIT P/N	WEIGHT
ACF11	0.16kg



SPECIFICATION:

1. STANDARD

TEMP MEASURING RANGE:	10°C - 65°C [50°F - 149°F]
TEMP MEASUREMENT ACCURACY:	± 2°C
DOOR SENSOR:	NORMALLY OPEN
OPERATIONAL VOLTAGE:	5 ±0.5 VOLTS DC
CURRENT DRAW:	30 mA MAX
SENSOR HOUSING MATERIAL:	GLASS-FILLED PC
SENSOR HOUSING COLOR:	BLACK
INTERFACE PLUG:	JST GHR-08V-S
CABLE COLOR:	BLACK
WORKMANSHIP STANDARD:	HARNESS TO BE MANUFACTURED TO IPC/WHMA-A-620 CLASS 2 STANDARD

2. ADDITIONAL:
NONE

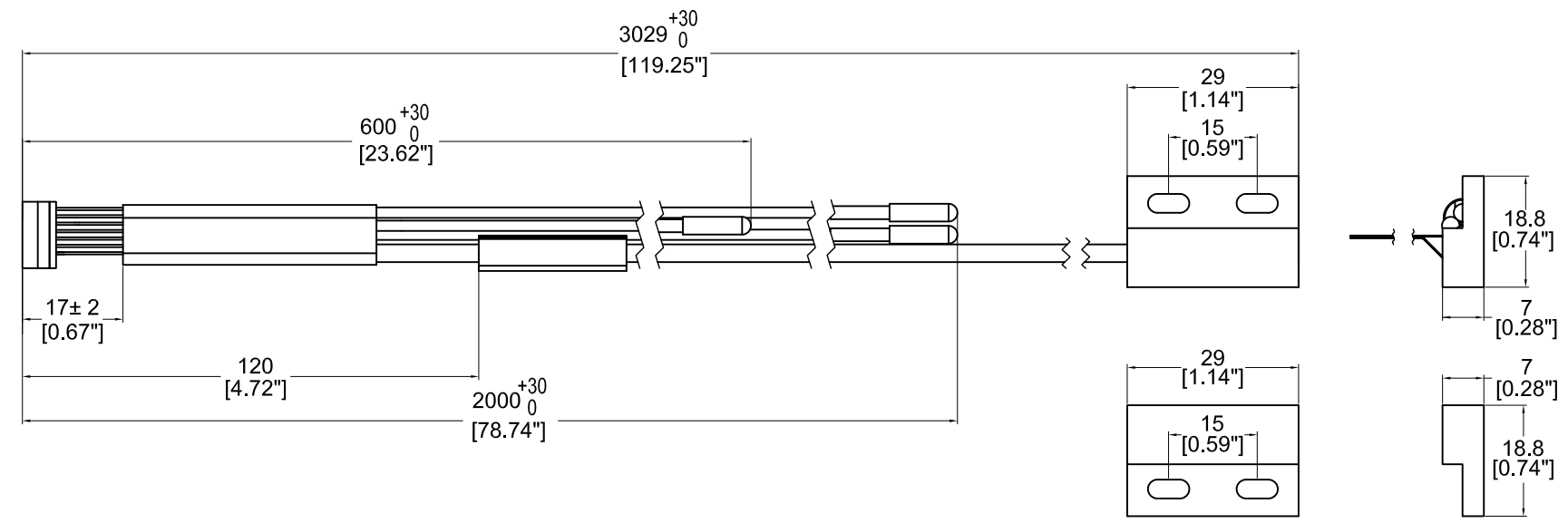
3. ACCESSORY COMPONENTS:
MAGNET, QTY (1)

NOTES:

1. PRIMARY DIMENSIONS ARE IN MILLIMETERS. SECONDARY DIMENSION ARE IN INCHES

2. INSTALLATION SHALL COMPLY WITH ALL APPLICABLE NATIONAL, STATE, AND LOCAL CODES

3. VISIT OUR ON-LINE CATALOG AT WWW.PANDUIT.COM FOR A CURRENT LIST OF PRODUCTS APPLICABLE FOR USE WITH THIS PART



IDENTIFICATION	PART NUMBER	DESCRIPTION
	ACF11	SMARTZONE SECURITY HANDLE (3) TEMPERATURE AND DOOR SENSOR

WE ASK THAT YOU CHECK FULLY THE DIMENSIONS, NOTES, AND SIGN THE CLIENT SIGNATURE BOX. THE JOB WILL NOT PROGRESS WITHOUT SIGNED APPROVAL. PLEASE DO NOT DELAY IN RETURNING PROOF AS IT WILL AFFECT DELIVERY

SIGN _____
DATE _____
PRINT _____

TITLE: **SMARTZONE SECURITY HANDLE (3) TEMPERATURE AND DOOR SENSOR**

CUSTOMER DRAWING

ITEM REVISION NAME: _____

DATASHEET FILE NAME: _____

UNLESS OTHERWISE SPECIFIED DIMENSIONAL TOLERANCE ARE: mm [IN]

MATERIAL/COLOR: N/A

DRAWING NUMBER: ACF11_DC

THIRD ANGLE PROJECTION

DRAWN BY: NW DATE: 12/08/2019 CHK: GLM SCALE: NONE

SHT 1 OF 1

SCALE: B

REV	DATE	BY	CHK	APR	DESCRIPTION	ECN
02A	4/9/2020	NW	GLM	JAW	UPDATED DOOR SENSOR FROM NORMALLY CLOSE TO OPEN	ACF11
01A	3/4/2020	NW	GLM	JAW	UPDATED PIN DEFINITION AND PRODUCT NAME	ACF11
00A	12/08/2019	NW	GLM	JAW	INITIAL RELEASE	ACF11