

Part number

# TM 1414 GB



Box, TM series, with hinged cover, for TM 1456 TB plate

#### Product description

<b>Product type</b>	Box
<b>Series</b>	TM
<b>Specification</b>	With hinged cover For TM 1456 TB plate

#### Technical data

<b>IP degree of protection</b>	IP66 / IP67
<b>Further technical details</b>	
<b>Weight</b>	730,50 g
<b>Operating temperature range (min, max)</b>	-25°C ... +40°C
<b>IK rating (impact degree of protection)</b>	IK10

#### Material properties

<b>Colour</b>	RAL 7012 grey
<b>RoHs conformity</b>	Compliant with exemption 6(c): copper alloy containing up to 4% lead by weight
<b>China RoHs - EFUP</b>	50
<b>REACH SVHC substances</b>	Yes Lead
<b>SCIP number</b>	B0214dad-d2d9-4e91-a5b4-f4c9b4612083

#### General ordering information

<b>EAN13 code</b>	8015747089418
-------------------	---------------

#### Packaging Information

<b>Packaging length</b>	315,00 mm
<b>Packaging height</b>	175,00 mm
<b>Packaging width</b>	265,00 mm
<b>Packaging weight</b>	3,23 kg
<b>Packaging volume</b>	14,61 dm <sup>3</sup>
<b>Packaging description</b>	Carton box
<b>Packaging quantity</b>	4 Pcs
<b>Packaging EAN code</b>	8015747089425
<b>Sub-packaging weight</b>	0,81 kg
<b>Sub-packaging description</b>	Plastic packaging
<b>Sub-packaging quantity</b>	1 Pcs
<b>Sub-packaging EAN barcode</b>	8015747089432

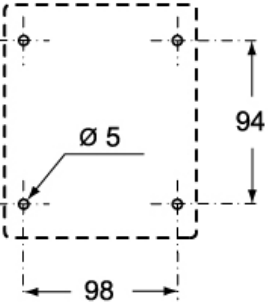
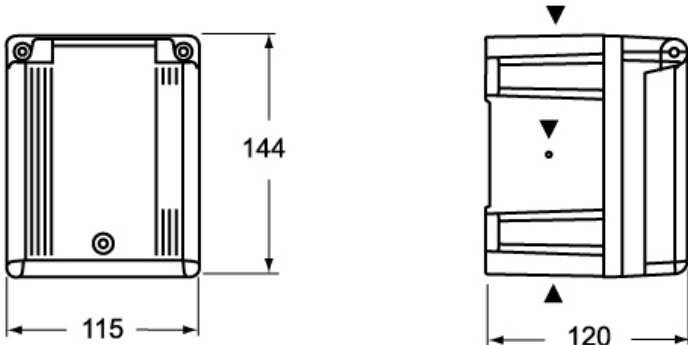
Part number

**TM 1414 GB**

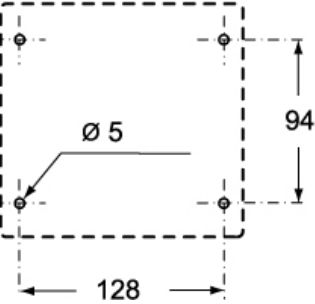
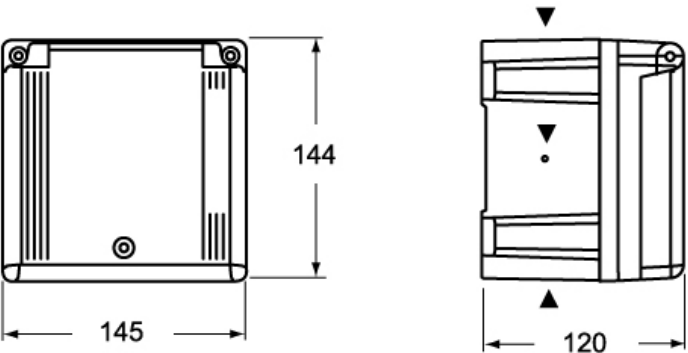


Catalogue drawings

TM 1114 DB



TM 1414 DB



# Notes

Dimensions shown in mm are not binding and may be changed without notice.

---