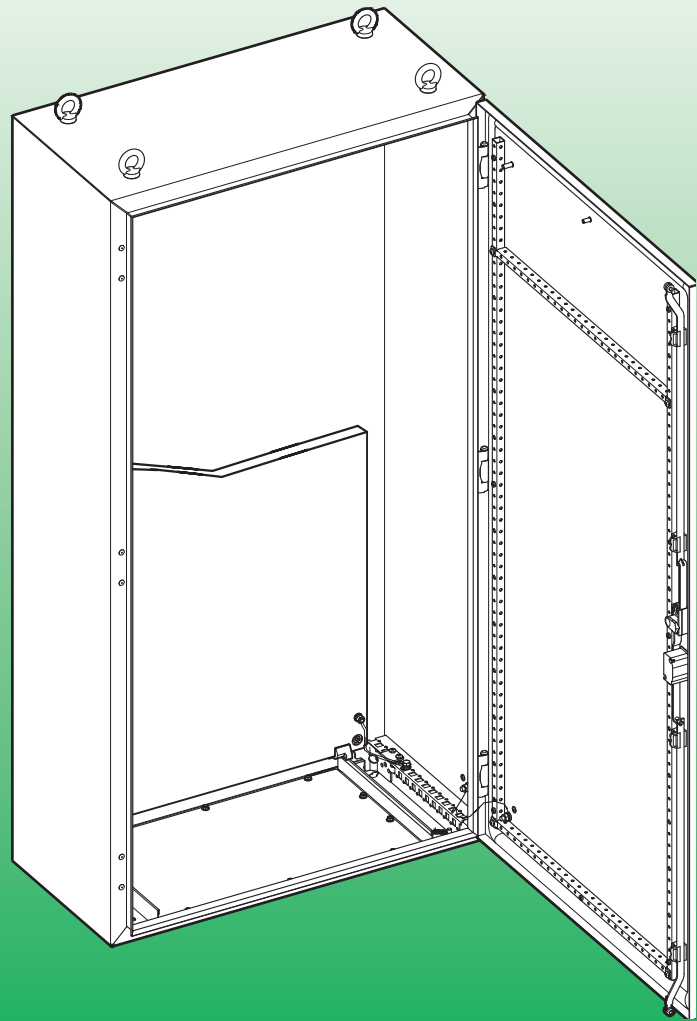

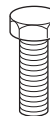

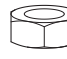

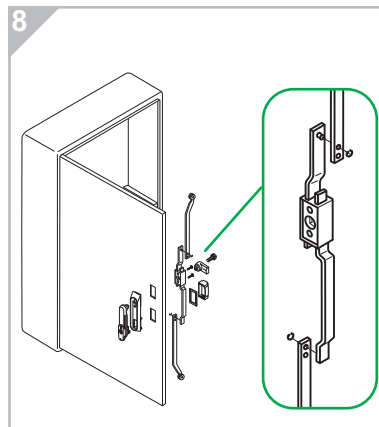
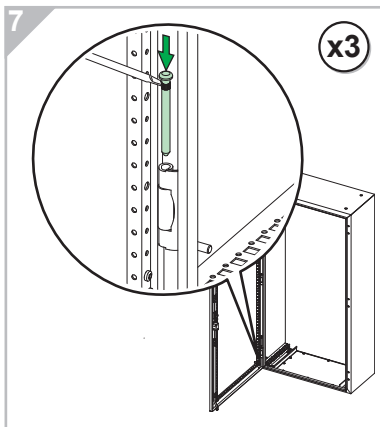
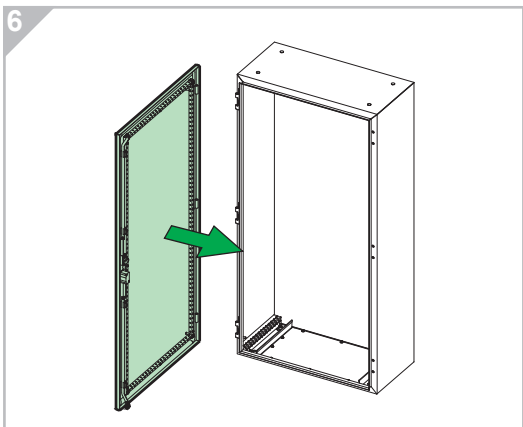
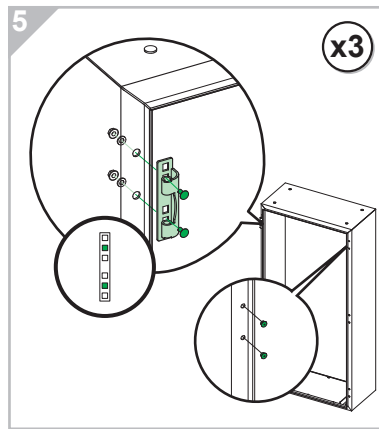
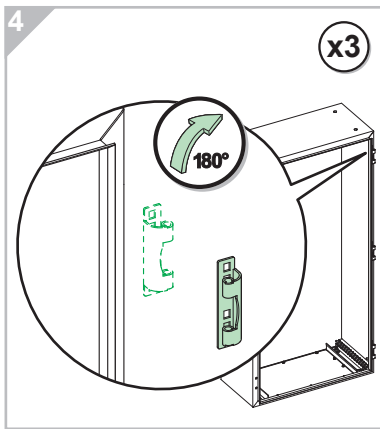
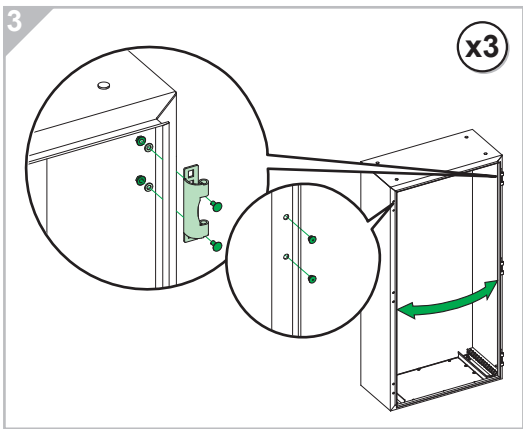
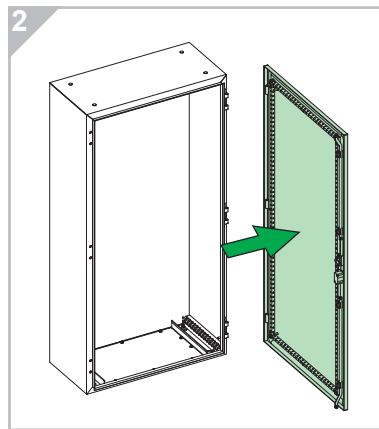
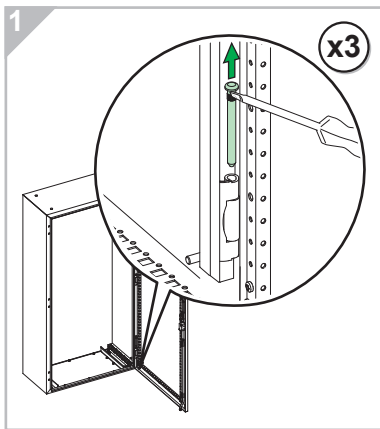
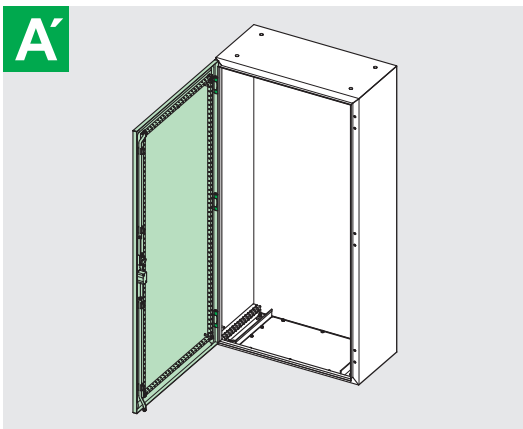
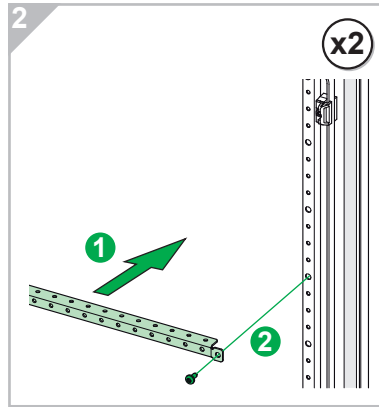
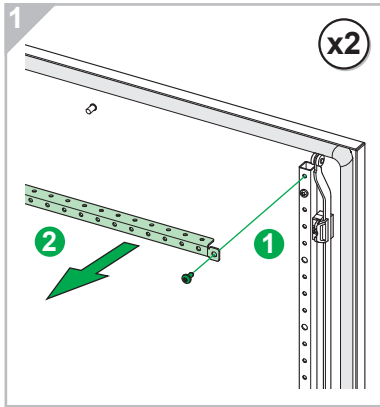
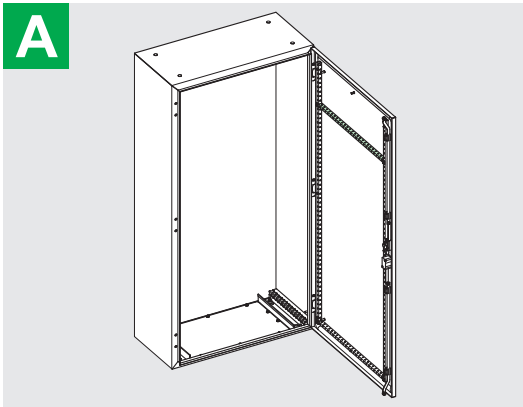
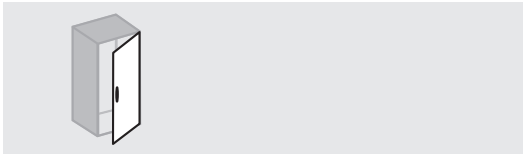


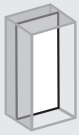
Spacial SMX



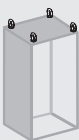
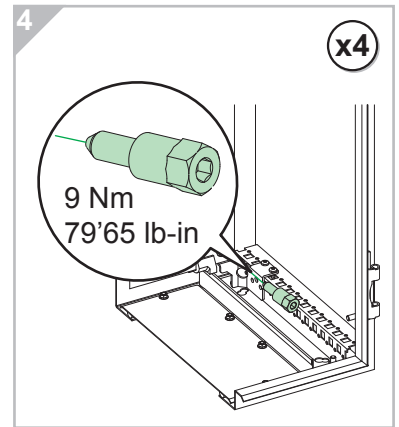
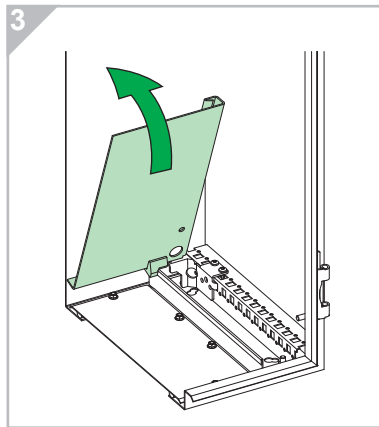
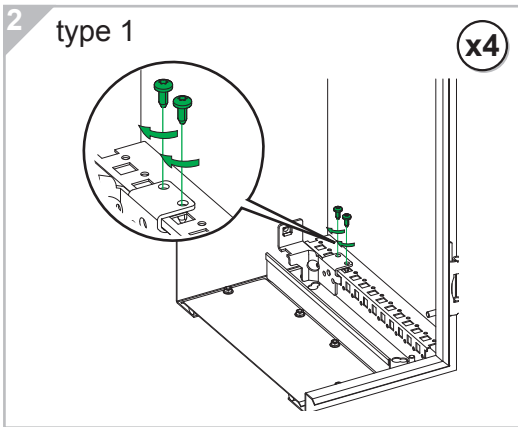
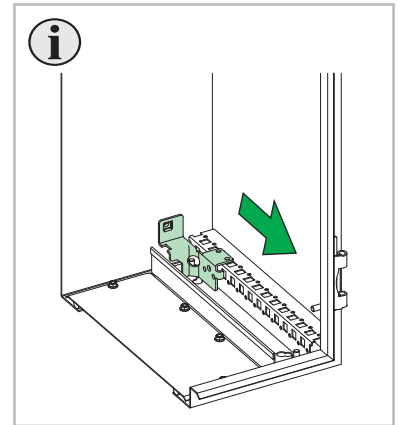
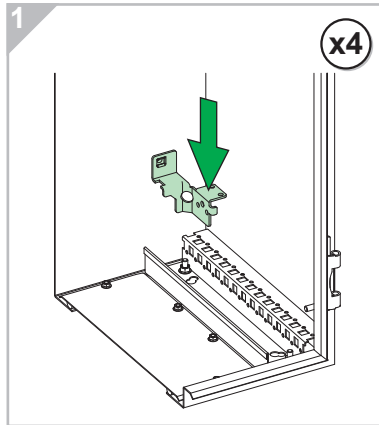
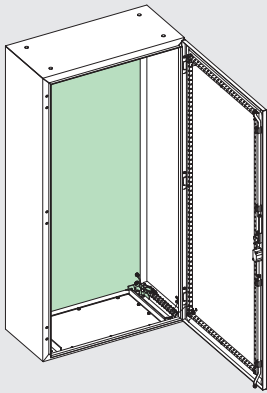
	type 1 ● M6 / T30 3 Nm 26,55 lb-in		type 2 M6 3 Nm 26,55 lb-in		type 3 M6 3 Nm 26,55 lb-in		type 4 M8 3 Nm 26,55 lb-in		type 5 M8
---	--	---	--	---	--	---	--	---	---------------------



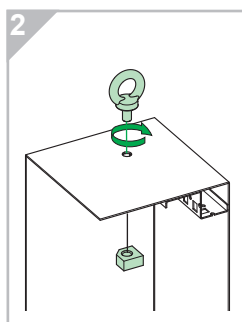
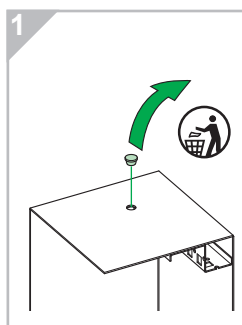
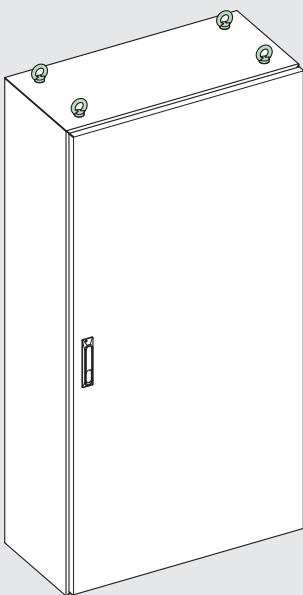




A



A

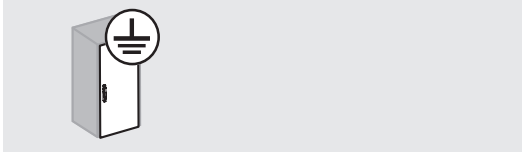


$a = 45^\circ$
 $a = 60^\circ$
 $a = 90^\circ$

$W = 580 \text{ kg} / 1277 \text{ lb}$
 $W = 415 \text{ kg} / 914 \text{ lb}$
 $W = 240 \text{ kg} / 528 \text{ lb}$

$a = 45^\circ$
 $a = 60^\circ$
 $a = 90^\circ$

$W < 1160 \text{ kg} / 2555 \text{ lb}$
 $W < 830 \text{ kg} / 1828 \text{ lb}$
 $W < 480 \text{ kg} / 1057 \text{ lb}$



A

