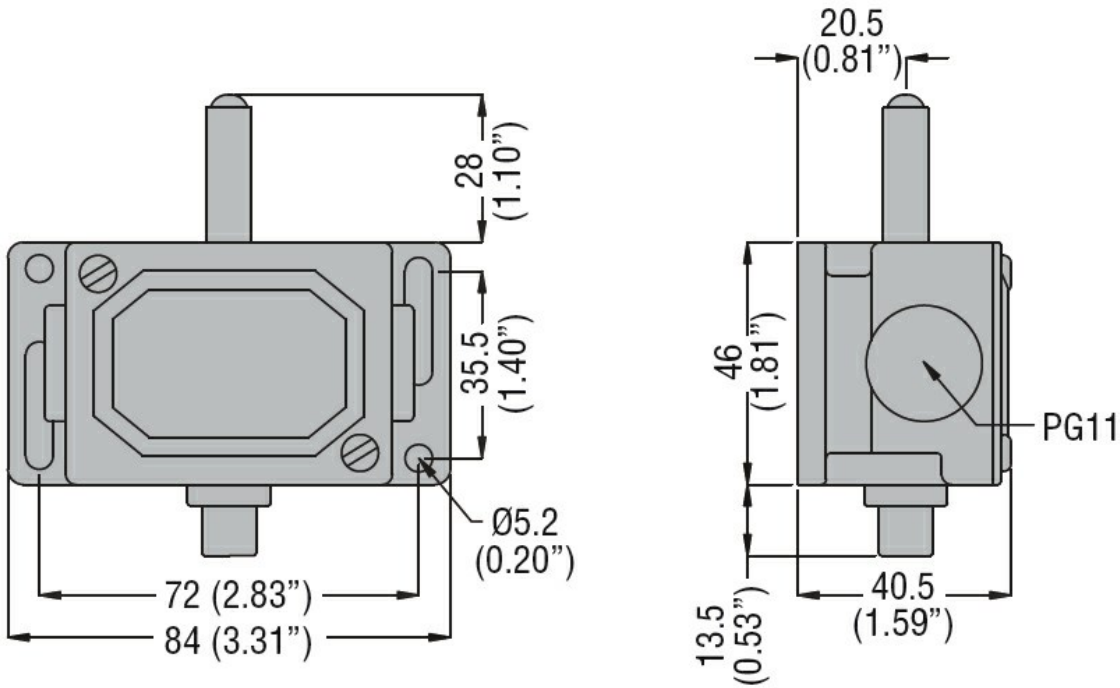
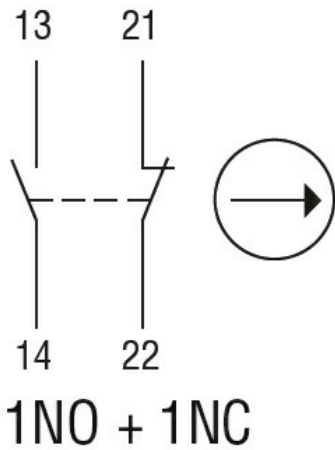




Product designation				Top push rod plunger
Product type designation				PLN...A
General characteristics				
Material	Housing		Aluminium-zinc alloy	
Contact characteristics				
Type of contact			1NO+1NC	
Thermal current I _{th}	A	10		
Rated insulation voltage U _i	V	400		
Short-circuit protection with fuse	Class/A	10 gG/SC QUICK FUSE		
IEC Conventional free air thermal current I _{th}	A	10		
Resistance per pole (average value)	mΩ	<10		
Mechanical features				
Operating head fixing				Fixed
Tightening torque (Max)	Switch fixing		Nm	2.5
			lbin	22.1
Conductor section	AWG/Kcmil		max	14
	IEC		max	mm ² 2.5
Cable connection				Screw terminal with clamp
Cable entry				PG11
Weight	g			240
Operations				
Mechanical life			cycles	>10000000
Mechanical operation			cycles/h	3600
Ambient conditions				
Temperature	Operating temperature		min °C	-25
			max °C	+70
	Storage temperature		min °C	-40
			max °C	+70
Resistance & Protection				
IP degree	Body housing		IP40	
Dimensions				



Wiring diagrams



Certifications and compliance

Compliance

EN 81-1.
 IEC/EN 60947-1
 IEC/EN 60947-5-1

Certificates

EAC

ETIM classification

ETIM 8.0

EC000030 - End switch