

Part number

CAV 24 LG21



Hood, C-TYPE series, with 1 lever, Pg21 top cable entry, size "104.27", high construction

| Product description | | Material properties | |
|---|-----------------------------------|-------------------------------------|---|
| Product type | Hood | Other materials | Lever: Stainless steel, polyamide (PA) Gasket: NBR |
| Series | C-TYPE | Colour | RAL 7040 grey |
| Closing type | With 1 lever | | Compliant with exemption |
| Size | Size 104.27 | RoHs conformity | 6(c): copper alloy containing up to 4% lead by weight |
| Cable entry | Top cable entry with adapter Pg21 | China RoHs - EFUP | 50 |
| Specification | High construction | REACH SVHC substances | Yes Lead |
| Technical data | | SCIP number | 15deaf78-e939-4401-a0b0-e2228ca32a03 |
| IP degree of protection | IP65 / IP66 / IP69 | Approvals / Standards | |
| Further technical details | | Certifications | DNV, BV |
| Weight | 360,00 g | UL | ECBT2 |
| Operating temperature range (min, max) | -40°C...+125°C | cUL | ECBT8 |
| | | General ordering information | |
| | | EAN13 code | 8015747010016 |
| | | Packaging Information | |
| | | Packaging length | 305,00 mm |
| | | Packaging height | 180,00 mm |
| | | Packaging width | 275,00 mm |
| | | Packaging weight | 3,90 kg |
| | | Packaging volume | 15,10 dm ³ |
| | | Packaging description | Carton box |
| | | Packaging quantity | 10 Pcs |
| | | Packaging EAN code | 8015747226165 |
| | | Sub-packaging weight | 1,95 kg |
| | | Sub-packaging description | Plastic packaging |
| | | Sub-packaging quantity | 5 Pcs |
| | | Sub-packaging EAN barcode | 8015747010023 |

Part number

CAV 24 LG21

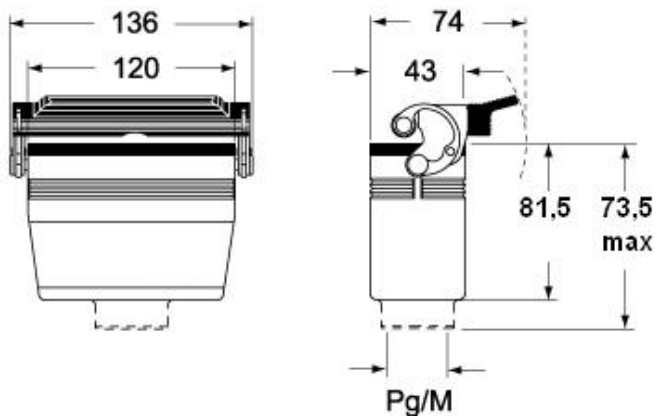


Catalogue drawings

CHO L (CAO L) - MHO L [MAO L]
CHV L [CAV L] - MHV L (MAV L)



CHV LG (CAV LG), MHV LG (MAV LG) [MFV LG]



Notes

Dimensions shown in mm are not binding and may be changed without notice.