



DSL-1104-TOM3

Y- and T-connectors

PLUG CONNECTORS AND CABLES

SICK
Sensor Intelligence.

DSL-1104-TOM3 | Y- and T-connectors

PLUG CONNECTORS AND CABLES



Ordering information

Type	Part no.
DSL-1104-TOM3	6011683

Other models and accessories → www.sick.com/Y-_and_T-connectors

Detailed technical data

Technical specifications

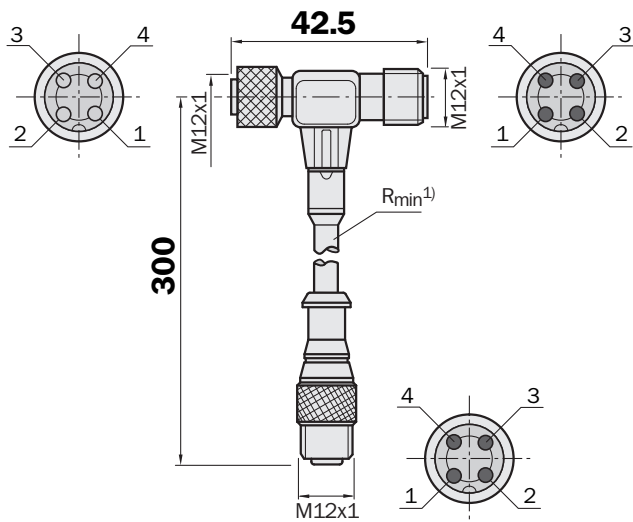
Accessory family	T-junctions
Connection type head A	Male connector, M12, 4-pin, A-coded
Connection type head B	Female connector, M12, 4-pin, A-coded
Connection type head C	Male connector, M12, 4-pin, A-coded
Signal type	Sensor/actuator cable
Connecting cable	0.3 m
Housing material	TPU
Connector material head A	TPU
Connector material head C	TPU
Housing color	Orange
Locking nut material	CuZn, nickel-plated brass
Material knurled screw head A	Nickel-plated brass
Material knurled screw head C	Nickel-plated brass
Shielding, head	Unshielded
Reference voltage	≤ 60 V DC, ≤ 300 V DC
Rated impulse voltage	2 kV
Current loading	4 A
Note	Signal interrogation and logic interrupt, female connector M12, 4-pin to 2 x male connector M12, 4-pin
Enclosure rating	IP67
Ambient operating temperature	Head -25 °C ... +80 °C

Classifications

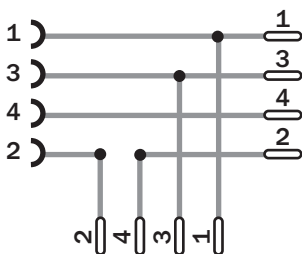
ECLASS 5.0	27279201
ECLASS 5.1.4	27279201
ECLASS 6.0	27279201
ECLASS 6.2	27279201
ECLASS 7.0	27279201
ECLASS 8.0	27279201
ECLASS 8.1	27279201
ECLASS 9.0	27440108
ECLASS 10.0	27440108

ECLASS 11.0	27440108
ECLASS 12.0	27440108
ETIM 5.0	EC002585
ETIM 6.0	EC002585
ETIM 7.0	EC002585
ETIM 8.0	EC002585
UNSPSC 16.0901	31163032

Dimensional drawing (Dimensions in mm (inch))



Connection diagram



SICK AT A GLANCE

SICK is one of the leading manufacturers of intelligent sensors and sensor solutions for industrial applications. A unique range of products and services creates the perfect basis for controlling processes securely and efficiently, protecting individuals from accidents and preventing damage to the environment.

We have extensive experience in a wide range of industries and understand their processes and requirements. With intelligent sensors, we can deliver exactly what our customers need. In application centers in Europe, Asia and North America, system solutions are tested and optimized in accordance with customer specifications. All this makes us a reliable supplier and development partner.

Comprehensive services complete our offering: SICK LifeTime Services provide support throughout the machine life cycle and ensure safety and productivity.

For us, that is “Sensor Intelligence.”

WORLDWIDE PRESENCE:

Contacts and other locations –www.sick.com