



LED elements  
steady light with  
spring-clamp  
terminals  
LPXLP

Product designation

Product type designation

**General characteristics**

Colour White

**Electrical characteristics**

Rated frequency Hz 50-60

Supply voltage (AC) V 185...265

**Operations**

Electrical life hours 100000

**Mechanical features**

Conductor section

AWG/kcmil conductor section

max 14

IEC

max mm<sup>2</sup> 1 or 2 / 2.5

Mounting adapter

LPXAU120

Weight

g 15

**Ambient conditions**

Temperature

Operating temperature

min °C -25

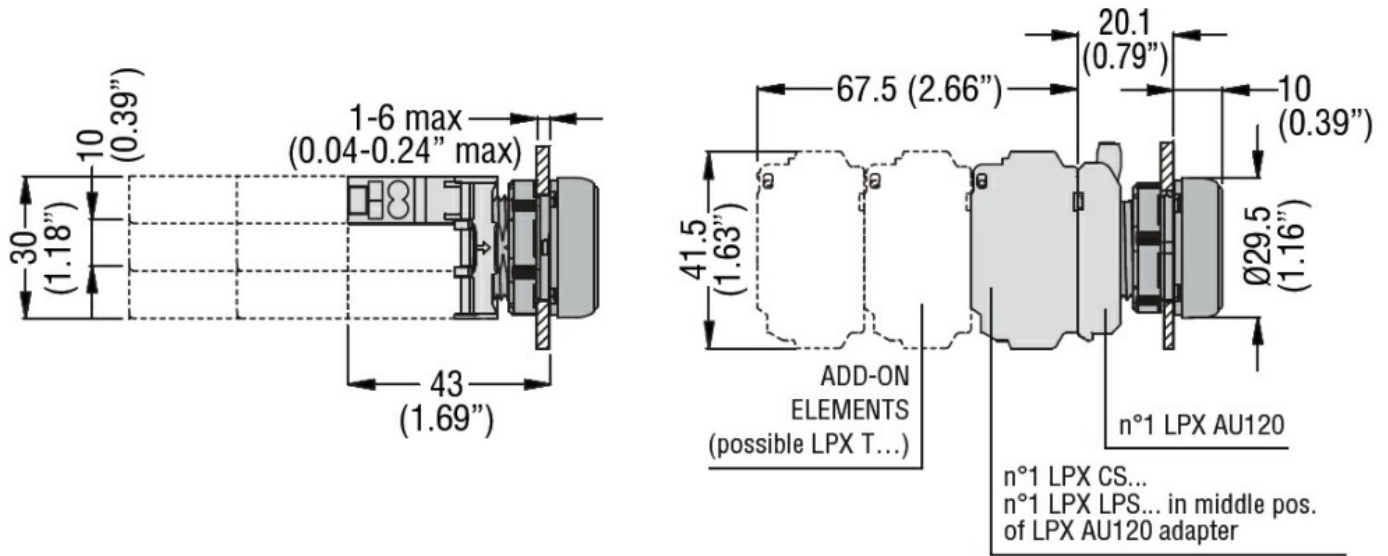
max °C +70

Storage temperature

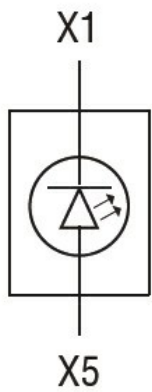
min °C -40

max °C +85

**Dimensions**



**Wiring diagrams**



**Certifications and compliance**

**Compliance**

- CSA C22.2 n° 14
- IEC/EN/BS 60947-1
- IEC/EN/BS 60947-5-1
- UL508

**Certificates**

- CCC
- cULus
- EAC
- RINA
- UL

**ETIM classification**

ETIM 8.0

EC000204 -  
Lamp holder  
block for control  
circuit devices