



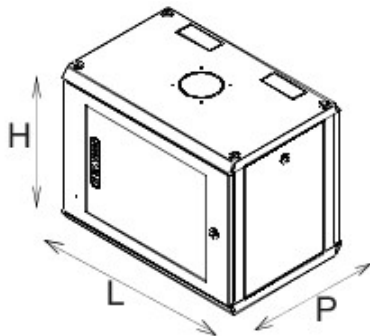
A complete system for the connection and distribution of LAN networks in the residential and tertiary sector. The range includes solutions for optical fibre, wall cabinets, floor-standing cabinets and products for copper wiring.

The Data Center cabinets come with a wide choice of configurations and various depths (up to 1000mm) to meet every application need.

Made of top quality materials (static full-load capacity up to 1000kg), these products guarantee easy wiring (thanks to the notable internal space) and can be completely customised with removable and reversible front doors.

| | | | |
|--------------------------|------------------------|----------------------|-----------------|
| Catégorie | 19" wall-mount cabinet | Matière | Acier |
| Finition | Textured | Couleur | Grey (RAL 7035) |
| Unité de câblage | 12 U | Type de porte | Reversible |
| Apertura porta | 180° | Portata statica | 50 kilogramme |
| No. uprights | 2 | Profondeur (mm) | 600 mm |
| Dim. externes LxHxP (mm) | 600x605x600 | Indice de protection | IP20 |
| Electrocod | 3752 | | |

DIMENSIONS



| | H | L | P | |
|-----------|-----|-----|-----|-----|
| GW 38 406 | 335 | 600 | 400 | 6U |
| GW 38 407 | 470 | 600 | 400 | 9U |
| GW 38 408 | 605 | 600 | 400 | 12U |
| GW 38 409 | 740 | 600 | 400 | 15U |
| GW 38 418 | 605 | 600 | 600 | 12U |
| GW 38 419 | 740 | 600 | 600 | 15U |

SYMBOLE TECHNIQUE

IP

IP20

NORMES ET HOMOLOGATIONS

