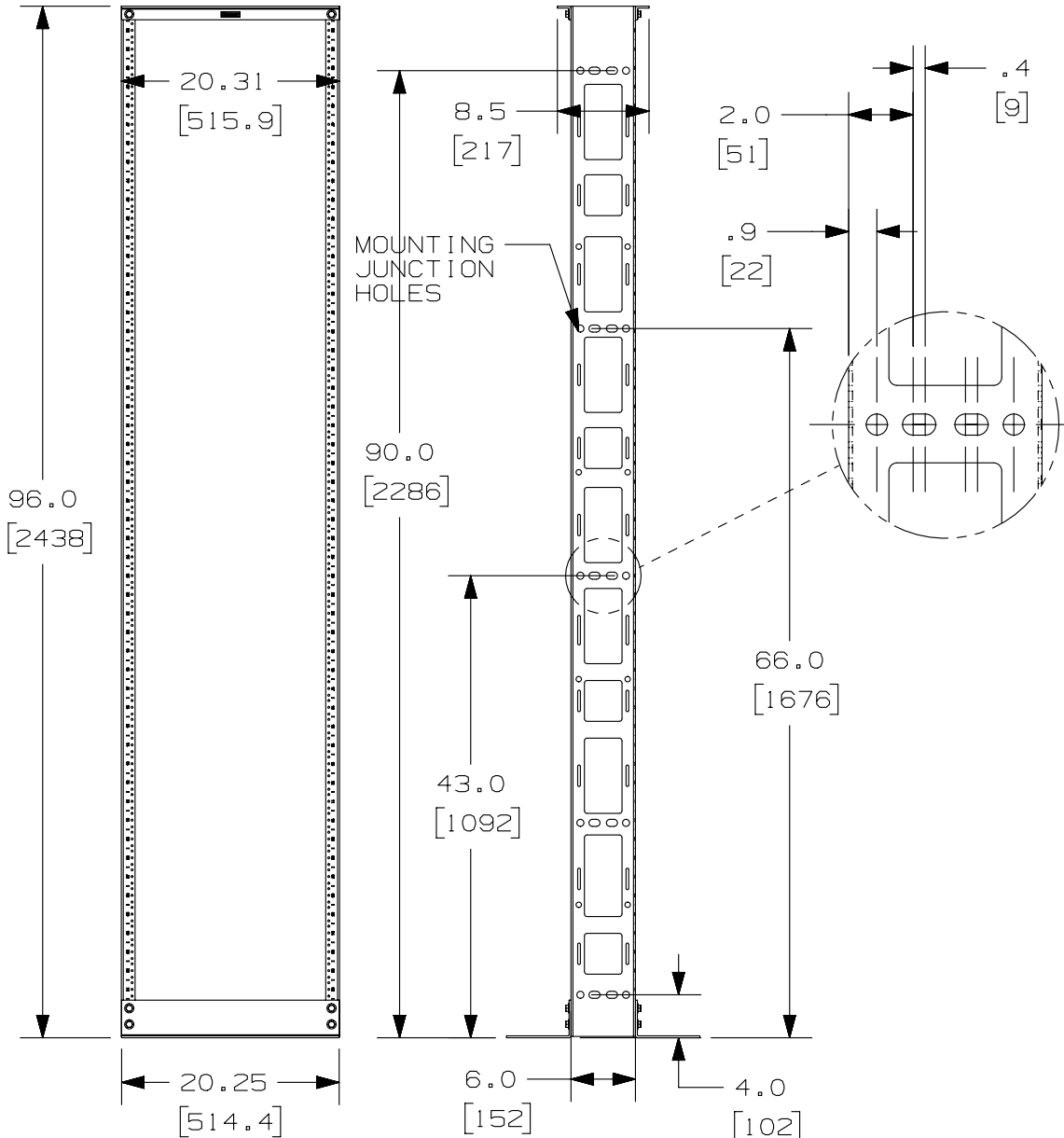


THIS COPY IS PROVIDED ON A RESTRICTED BASIS AND IS NOT TO BE USED IN ANY WAY DETRIMENTAL TO THE INTERESTS OF PANDUIT CORP.



PANDUIT P/N	WEIGHT
R2P6S96	60.50 LBS/EACH 27.4 Kg/EACH

- NOTES:
- CAN BE USED WITH ANY INDUSTRY STANDARD 19" COMPONENT IN ADDITION TO ALL PANDUIT CABLE MANAGEMENT AND PATCH PANEL PRODUCTS.
 - WILL HOLD UP TO 52 SINGLE RACK SPACINGS.
 - EIA HOLE SPACING ON UPRIGHT CHANNELS: .625, .625, .500, .625, .625, .500, ETC.
 - ASSEMBLY IS REQUIRED.
 - RACK PART THICKNESSES:
 -UPRIGHT CHANNELS (11 GA): WEB- .125±.03
 FLANGE .125±.03
 -TOP BRACKET (7 GA): .179±.03
 -BASE BRACKET (7 GA): .179±.03
 - DIMENSIONS IN PARENTHESES ARE METRIC.
 - ALL ASSEMBLY HARDWARE INCLUDED:
 -(12) 3/8-16 X 1" BLACK HEX HEAD CAP SCREW
 -(24) 3/8" PAINT PIERCING GROUNDING WASHER
 -(1) TUBE OF ANTI-OXIDIZING PASTE
 -(12) 3/8-16 BLACK HEX NUT
 -(24) 12-24 X .5" SLOTTED PAN HEAD STEEL SCREW
 - LOAD RATING IS 1500 LBS.

TITLE		8 FOOT STEEL CABLE MANAGEMENT RACK 6" DEEP (R2P6S96)		
ITEM REVISION NAME		CUSTOMER DRAWING		
DATASET FILE NAME		PANDUIT		
UNLESS OTHERWISE SPECIFIED, DIMENSIONAL TOLERANCES ARE: IN (mm)		MATERIAL: STEEL		
DRAWING NUMBER: V10459AJ-DC		THIRD ANGLE PROJECTION		
DRAWN BY	DATE	CHK	SCALE	SIZE
			NONE	A
SHT 1 OF 2				

REV	DATE	BY	CHK	APR	DESCRIPTION	ECN
01A	11-26-13	BAME	FGR	CMK	UPDATED VIEWS	V10459AJ-DC
00A	6-22-11	RYB	SRK	CMK	DRAWING RELEASED	V10459AJ-DC

D10100DA/16

2

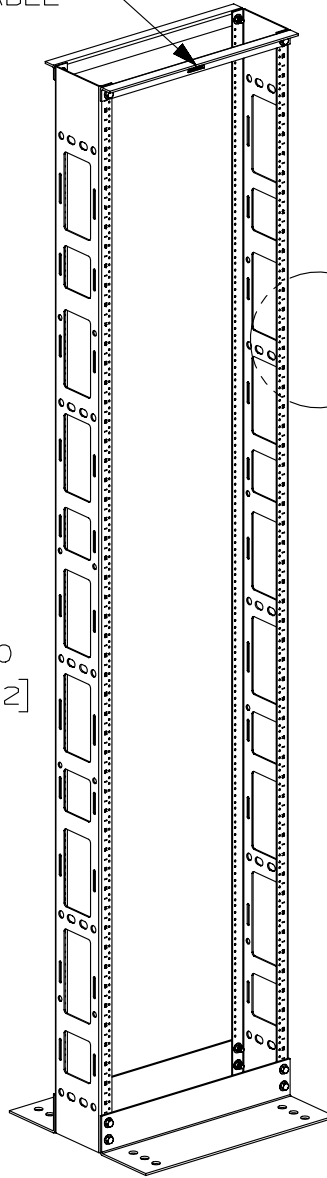
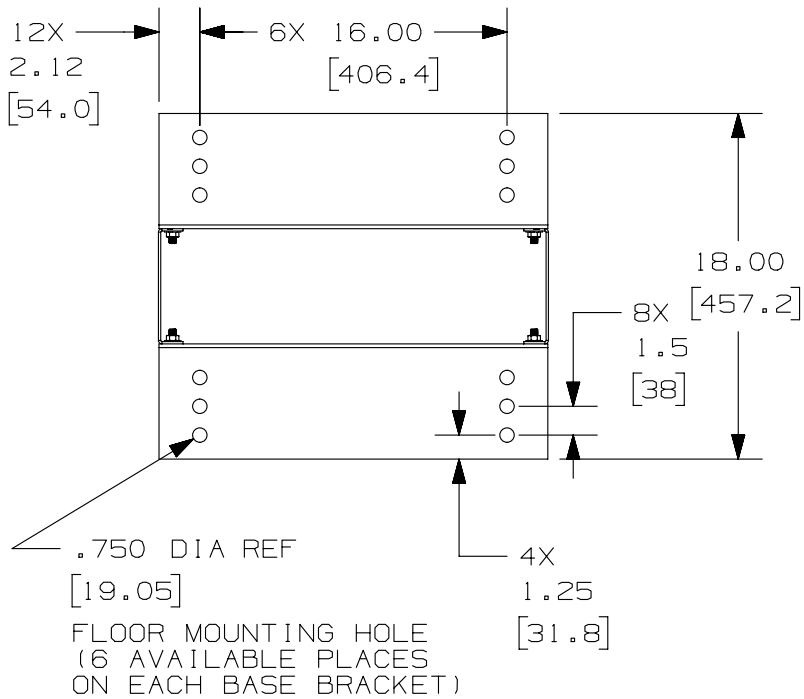
1

2

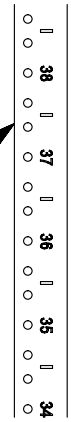
1

THIS COPY IS PROVIDED ON A RESTRICTED BASIS AND IS NOT TO BE USED IN ANY WAY DETRIMENTAL TO THE INTERESTS OF PANDUIT CORP.

PANDUIT LABEL



CLOSE UP VIEW OF VERTICAL CHANNEL



TITLE		8 FOOT STEEL CABLE MANAGEMENT RACK 6" DEEP (R2P6S96)			CUSTOMER DRAWING	
ITEM REVISION NAME		V10459AJ/01			PANDUIT	
DATASET FILE NAME		V10459AJ_DC/01A				
UNLESS OTHERWISE SPECIFIED, DIMENSIONAL TOLERANCES ARE: IN (mm)		MATERIAL:			STEEL	
.X ± .XX ±		.XXX ± ANGLES ±			DRAWING NUMBER: V10459AJ-DC	
THIRD ANGLE PROJECTION		DRAWN BY			SIZE	
R Y B		DATE			SHT 2 OF 2	
6-22-11		CHK			A	
SRK		SCALE				
NONE						

REV	DATE	BY	CHK	APR	DESCRIPTION	ECN
01A	11-26-13	BAME	FGR	CMK	SEE SHEET 1 OF 2 FOR REVISIONS	V10459AJ-DC
00A	6-22-11	RYB	SRK	CMK	SEE SHEET 1 OF 2 FOR REVISIONS	V10459AJ-DC

D10100DA/16