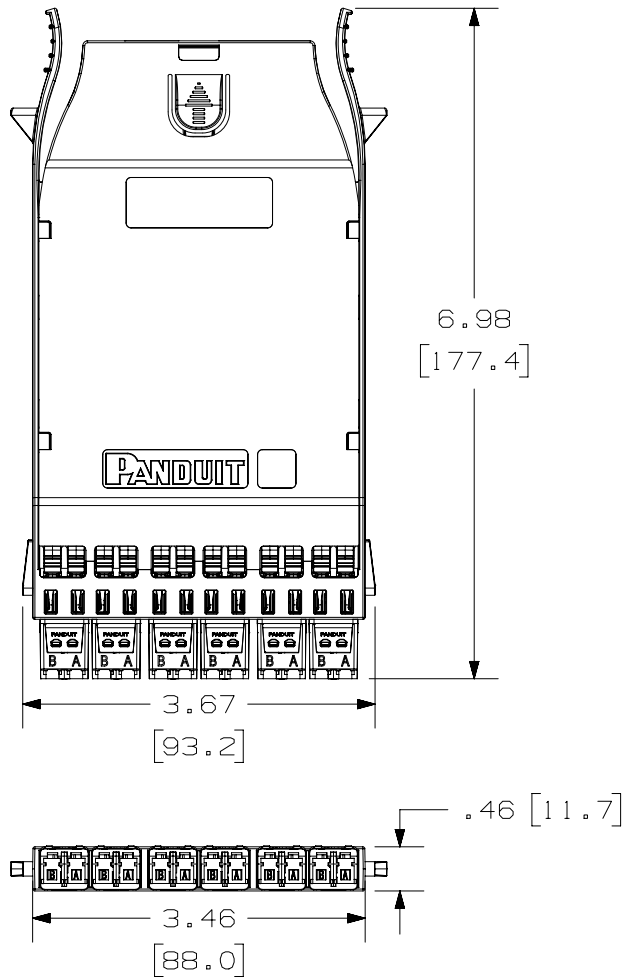
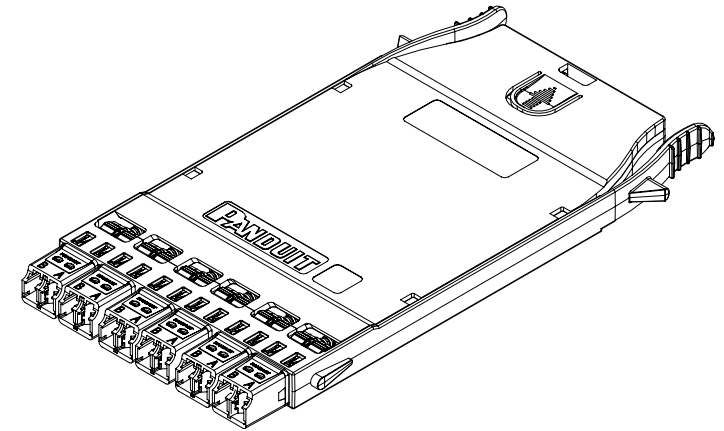


THIS COPY IS PROVIDED ON A RESTRICTED BASIS AND IS NOT TO BE USED IN ANY WAY DETRIMENTAL TO THE INTERESTS OF PANDUIT CORP.



NOTES:

1. PART NUMBERS: SEE SHEET 2 FOR ALL PART NUMBERS.
2. CASSETTE WIRING COMPLIES WITH ANSI/TIA-568-C.0 SEE ANSI/TIA-568-C.0 FOR POLARITY DETAILS AND AN EXAMPLE OF A BASIC LINK.
3. CASSETTE WEIGHT: 3oz (85g)
4. MAX CABLE DIAMETER IS .291 [7.4].



REV	DATE	BY	CHK	APR	DESCRIPTION	ECN
00E	01-10-23	SAT	WJM	EJH	C. ADDED OM5 OPTIMIZED P/N.	12F187PE-DC
00D	06-05-19	SAT	PJ1/ DWW	EJH	B. ADDED P/N FHS9N-12-LAR & FHSWA-12-10P.	12F187PE-DC
02	9/13/17	JSP	WJM	EJH	A. ADDED MAX DIAMETER NOTE #4.	12F187PE-DC
01	12-03-15	SAT	YMG	RAR/ EJH	RELEASED TO PRODUCTION	12F187PE-DC

TITLE HD FLEX 12 FIBER LC SPLICE CASSETTE CUSTOMER DRAWING						
ITEM REVISION NAME 12F187PE/00						
DATASET FILE NAME 12F187PE_DC/00E						
UNLESS OTHERWISE SPECIFIED, DIMENSIONAL TOLERANCES ARE: IN [mm]						
.x ± .1 [2.54]		.xxx ± .005 [.127]		MATERIAL:		
.xx ± .01 [.25]		ANGLES ± 5°		DRAWING NUMBER: 12F187PE-DC		
THIRD ANGLE PROJECTION						
DRAWN BY	DATE	CHK	SCALE	SHT 1 OF 2		SIZE
SAT	01-16-15	PJI	NONE			A

THIS COPY IS PROVIDED ON A RESTRICTED BASIS AND IS NOT TO BE USED IN ANY WAY DETRIMENTAL TO THE INTERESTS OF PANDUIT CORP.

PRODUCT FAMILY	CASSETTE PART NUMBER	CASSETTE DESCRIPTION
12 FIBER LC FAP CASSETTE - NOT LOADED (LC PIGTAILS NOT INCLUDED)	FHSXN-12-10N	FAP (FIBER ADAPTER PANEL) CASSETTE W/ AQUA ZIRCONIA ADAPTERS
	FHS9N-12-10N	FAP (FIBER ADAPTER PANEL) CASSETTE W/ BLUE ZIRCONIA ADAPTERS
	FHS9N-12-LAN	FAP (FIBER ADAPTER PANEL) CASSETTE W/ GREEN ZIRCONIA ADAPTERS
12 FIBER LC SPLICE CASSETTE - PRELOADED WITH DISCRETE PIGTAILS	FHSX0-12-10P	12F OM3 LC DISCRETE PIGTAILS; OPTIMIZED IL
	FHSZ0-12-10P	12F OM4 LC DISCRETE PIGTAILS; OPTIMIZED IL
	FHSZA-12-10P	12F OM4 LC DISCRETE PIGTAILS; ULTRA IL
	FHSWA-12-10P	12F OM5 LC DISCRETE PIGTAILS; ULTRA IL
	FHSW0-12-10P	12F OM5 LC DISCRETE PIGTAILS; OPTIMIZED IL
	FHS9N-12-10P	12F OS2 LC DISCRETE PIGTAILS; STANDARD IL
	FHS9N-12-LAP	12F OS2 LC/APC DISCRETE PIGTAILS; STANDARD IL
12 FIBER LC SPLICE CASSETTE - PRELOADED WITH RIBBON PIGTAIL	FHSX0-12-10R	12F OM3 LC RIBBONIZED PIGTAIL; OPTIMIZED IL
	FHSZ0-12-10R	12F OM4 LC RIBBONIZED PIGTAILS; OPTIMIZED IL
	FHSZA-12-10R	12F OM4 LC RIBBONIZED PIGTAIL; ULTRA IL
	FHS9N-12-10R	12F OS2 LC RIBBONIZED PIGTAIL; STANDARD IL
	FHS9N-12-LAR	12F OS2 LC/APC RIBBONIZED PIGTAIL; STANDARD IL

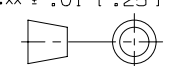
REV	DATE	BY	CHK	APR	DESCRIPTION	ECN

TITLE
 HD FLEX 12 FIBER LC SPLICE CASSETTE
 CUSTOMER DRAWING

ITEM REVISION NAME
 12F187PE/00

DATASET FILE NAME
 12F187PE_DC/00E

UNLESS OTHERWISE SPECIFIED,
 DIMENSIONAL TOLERANCES ARE: IN [mm]
 .x ± .1 [2.54] .xxx ± .005 [.127]
 .xx ± .01 [.25] ANGLES ± 5 °

 **THIRD ANGLE PROJECTION**

MATERIAL:
PANDUIT

DRAWING NUMBER:
 12F187PE-DC

--	--	--	--	--	--	--	--	--	--	--	--	--	--	--	--	--	--	--