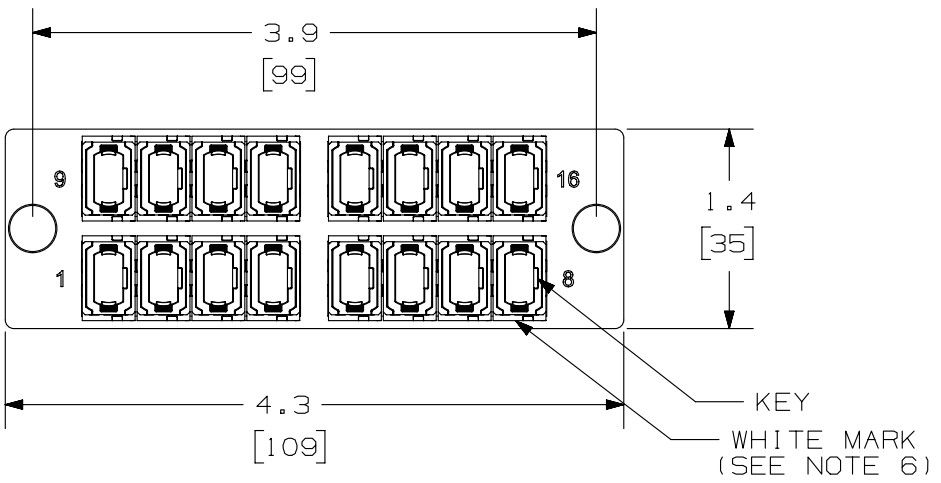
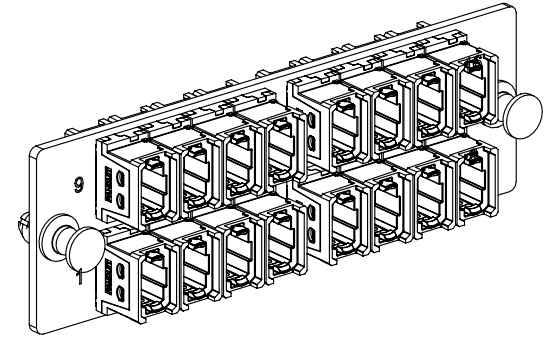
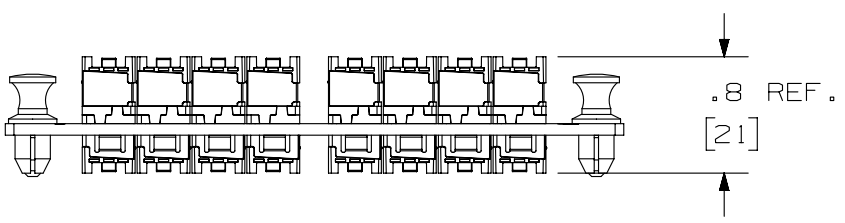


THIS COPY IS PROVIDED ON A RESTRICTED BASIS AND IS NOT TO BE USED IN ANY WAY DETRIMENTAL TO THE INTERESTS OF PANDUIT CORP.



- NOTES:
- SEE CURRENT CATALOG FOR PART NUMBER SUFFIXES TO INDICATE COLOR AND/OR PACKAGE QUANTITIES.
  - SEE CATALOG FOR COMPLETE LIST OF PARTS APPLICABLE FOR USE WITH THIS PRODUCT.
  - MATERIALS:
    - PLATE: C.R.S. POWDER COATED.
    - ADAPTER: COMPOSITE WITH METAL CLIP.
    - ALL MATERIALS USED MEET THE MATERIAL RESTRICTIONS OF RoHS, (EUROPEAN DIRECTIVE 2011/65/EC ON THE RESTRICTION OF HAZARDOUS SUBSTANCES) AS PROPOSED BY THE RoHS TECHNICAL ADAPTATION COMMITTEE.
  - ADAPTERS ARE SUPPLIED WITH TWO DUST PLUGS.
  - DIMENSIONS IN BRACKETS ARE METRIC.
  - WHITE MARK ON MPO ADAPTER CORRELATES TO FIRST FIBER ON INSTALLED MPO CONNECTOR.

DUST PLUGS NOT SHOWN FOR CLARITY



00	10-08-13	BSN	WJM		RELEASED TO PRODUCTION				13F227AP-DC
REV	DATE	BY	CHK	APR	DESCRIPTION	ECN			

TITLE				16 POSITION HORIZONTAL MPO FIBER ADAPTER PANEL			
CUSTOMER DRAWING							
ITEM REVISION NAME				13F227AP/00			
DATASET FILE NAME				13F227AP_DC/00A			
UNLESS OTHERWISE SPECIFIED, DIMENSIONAL TOLERANCES ARE: IN (mm)				PART NO.			
.x ± .xx ± .03 [0.8]				.xxx ± .010 [0.3] ANGLES ±			
DRAWN BY				SCALE			
BSN				NONE			
DATE				DRAWING NUMBER:			
10-08-13				13F227AP-DC			
CHK				SHT 1 OF 1			
WJM				A			
THIRD ANGLE PROJECTION							