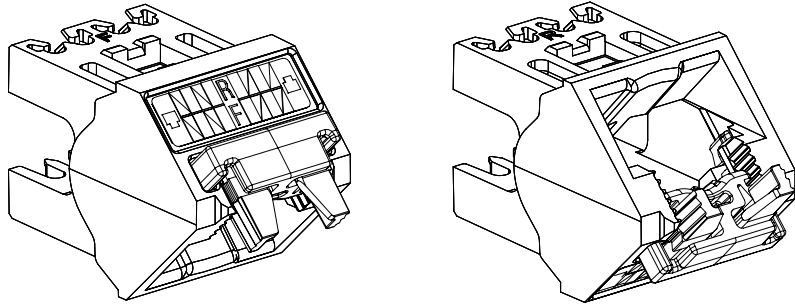
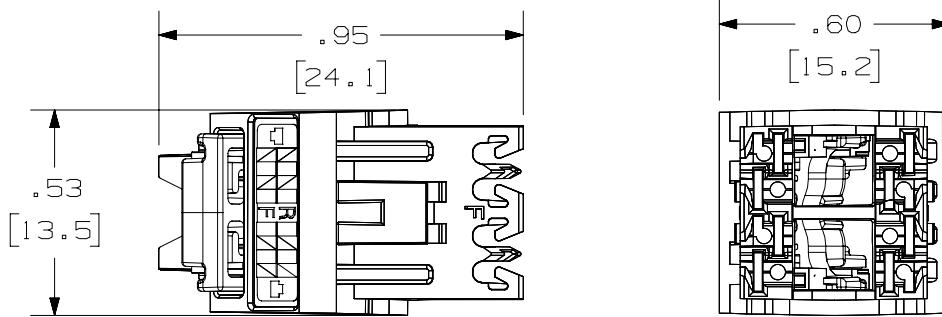


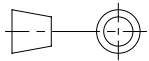
THIS COPY IS PROVIDED ON A RESTRICTED BASIS AND IS NOT TO BE USED IN ANY WAY DETRIMENTAL TO THE INTERESTS OF PANDUIT CORP.



NOTES:

1. VISIT OUR ON-LINE CATALOG AT WWW.PANDUIT.COM FOR A LIST OF CURRENT PARTS APPLICABLE FOR USE WITH THIS PRODUCT.
2. DIMENSIONS IN [] ARE METRIC.
3. ALL MATERIALS AND COMPONENTS USED MEET THE MATERIAL RESTRICTIONS OF RoHS (EUROPEAN DIRECTIVE 2011/65/EU ON THE RESTRICTION OF HAZARDOUS SUBSTANCES) AS PROPOSED BY THE RoHS TECHNICAL ADAPTATION COMMITTEE.
4. WEIGHT: 0.41LBS/100 PCS [186g/100 PCS]
5. TERMINATES WITH CAT6A FIELD TERMINABLE UTP RJ45 PLUGS (PANDUIT P/N'S: FP6X88MTG & FPUD6X88MTG)
6. WIRE CAP ASSEMBLY TERMINATES 45° UP OR DOWN.
7. ABLE TO BE USED IN CATEGORY 5E, 6 AND 6A APPLICATIONS.
8. TERMINATES 22-26AWG SOLID OR STRANDED UTP CABLE.
9. MATERIAL: POLYCARBONATE W/ FLAME RATING OF UL94V-0.
10. WIRE MAP LABEL IS CODED FOR T568B WIRING SCHEME.



PART NUMBER		CPUDCAPBL-X	
TITLE		45° UP/DOWN UTP WIRE CAP ASSEMBLY FOR FIELD TERMINABLE UTP RJ45 PLUG ASSEMBLY	
CUSTOMER DRAWING			
ITEM REVISION NAME		00163LAC/03	
DATASET FILE NAME		00163LAC_DC02/03B	
		THIRD ANGLE PROJECTION	
MATERIAL		SEE NOTE 9	
DRAWING NUMBER		00163LAC-02	
DRAWN BY	DATE	CHK	SCALE
BJN	4-20-17	JAV	2:1
SHEET 1 OF 1		A	

REV	DATE	BY	CHK	APR	DESCRIPTION	ECN
3	3-13-18	BJN	DCS	TMBA	UPDATED	00163LAC-02
2	1-5-18	BJN	DCS	TMBA	UPDATED	00163LAC-02

A-SIZE CUSTOMER

2

1

2

1