



Connection box



Ordering information

Type	Part no.
Connection box	2062346

Other models and accessories → www.sick.com/



Detailed technical data

Technical specifications

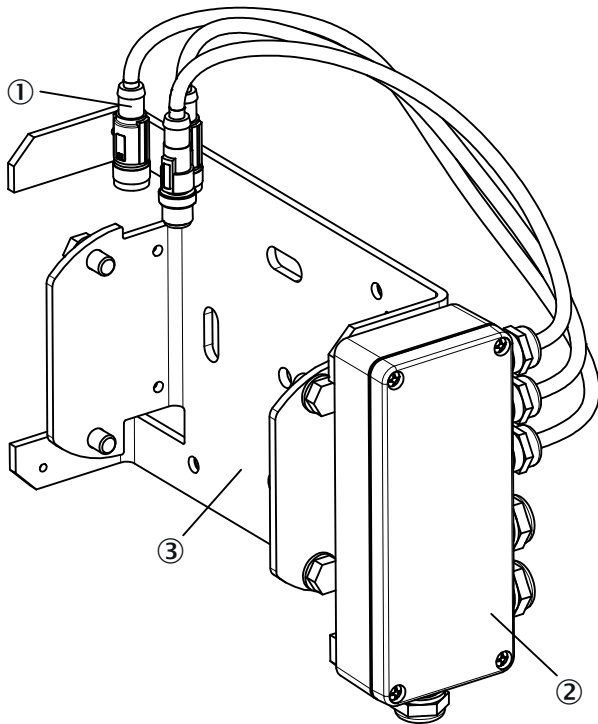
Accessory family	Connection modules
Connection type head A	Circular plug-in connector, M12
Connection type head B	Circular plug-in connector, M12
Connection type head C	Circular plug-in connector, M12
Connection type	Cable gland
Conductor cross section	5 x 0,5 mm ² + 2 x 8 x 0,25 mm ²
Housing material	Aluminum
Ambient operating temperature	-30 °C ... +50 °C
Enclosure rating	IP67
Weight	0.65 kg
Dimensions (W x H x L)	88 mm x 34 mm x 173 mm
Description	Connection box for power, I/O and RS-232/RS-422 data (not Ethernet), with three prewired M12 cables, 8-pin, intended for use with LMS511 Lite, LMS531 Lite, LMS11x/15x/13x/14x, MRS1000, LMS1000

Classifications

eCl@ss 5.0	27279201
eCl@ss 5.1.4	27279201
eCl@ss 6.0	27279201
eCl@ss 6.2	27279201
eCl@ss 7.0	27279201
eCl@ss 8.0	27279201
eCl@ss 8.1	27279201
eCl@ss 9.0	27440320
eCl@ss 10.0	27440320
eCl@ss 11.0	27440320
eCl@ss 12.0	27440320
ETIM 5.0	EC000313
ETIM 6.0	EC000313

ETIM 7.0	EC000313
ETIM 8.0	EC000313
UNSPSC 16.0901	31163032

Dimensional drawing (Dimensions in mm (inch))



- ① Figure shows connection box with standard housing, connector form deviates slightly from part number 2095789
- ② Connection box 2063034 or 2095789
- ③ Adapter plate 2059271

PIN assignment

<p>PIN definition LMS5xx LITE</p> <p>01 RD-/RxD 02 TD-/TxD 03 RD+ 04 TD+ 05 GND RS 06 - 07 IN Sync 08 GND IN/Sync 09 IN1 10 - 11 GND IN 1 12 OUT 1 13 OUT 2 14 OUT 3 15 GND OUT 1...3 16 Vs OUT 1...3 17 Vs 18 GND 19 Vs heat. 20 GND heat. 21 - 22 -</p>	<p>PIN definition LMS531 LITE</p> <p>01 A/DA (IN1) 02 WT (IN2) 03 - 04 - 05 - 06 - 07 TEACH (IN4) 08 GND IN 1...4 09 Alarm A 10 Alarm B 11 Alarm R A 12 Alarm R B 13 Error A 14 Error B 15 Sab 16 GND Sab 17 Vs 18 GND 19 Vs heat. 20 GND heat. 21 - 22 -</p>	<p>PIN definition LMS11x/LMS15x</p> <p>01 RxD 02 TxD 03 CAN H 04 CAN L 05 GND RS/CAN 06 IN1 07 IN2 08 GND IN 1...2 09 INC1 A 10 INC1 B 11 GND INC1 12 OUT1 A 13 OUT2 A 14 OUT3 A 15 OUTx B 16 OUTx R 17 Vs 18 GND 19 Vs heat. 20 GND heat. 21 - 22 -</p>
<p>PIN definition LMS13x/LMS14x</p> <p>01 A/DA (IN1) 02 WT (IN2) 03 CAN H 04 CAN L 05 GND CAN 06 D/N (IN3) 07 TEACH (IN4) 08 GND IN 1...4 09 Alarm A 10 Alarm B 11 Alarm R A 12 Alarm R B 13 Error A 14 Error B 15 Sab A 16 Sab B 17 Vs 18 GND 19 Vs heat. 20 GND heat. 21 - 22 -</p>	<p>PIN definition MRS1000/LMS1000</p> <p>01 - 02 - 03 - 04 - 05 - 06 - 07 - 08 - 09 IN1/OUT1 10 IN2/OUT2 11 IN3/OUT3 12 IN4/OUT4 13 IN5/OUT5 14 IN6/OUT6 15 GND INx/OUTx 16 IN7/OUT7 17 Vs 18 GND 19 - 20 - 21 IN8/OUT8 22 -</p>	

SICK AT A GLANCE

SICK is one of the leading manufacturers of intelligent sensors and sensor solutions for industrial applications. A unique range of products and services creates the perfect basis for controlling processes securely and efficiently, protecting individuals from accidents and preventing damage to the environment.

We have extensive experience in a wide range of industries and understand their processes and requirements. With intelligent sensors, we can deliver exactly what our customers need. In application centers in Europe, Asia and North America, system solutions are tested and optimized in accordance with customer specifications. All this makes us a reliable supplier and development partner.

Comprehensive services complete our offering: SICK LifeTime Services provide support throughout the machine life cycle and ensure safety and productivity.

For us, that is “Sensor Intelligence.”

WORLDWIDE PRESENCE:

Contacts and other locations –www.sick.com