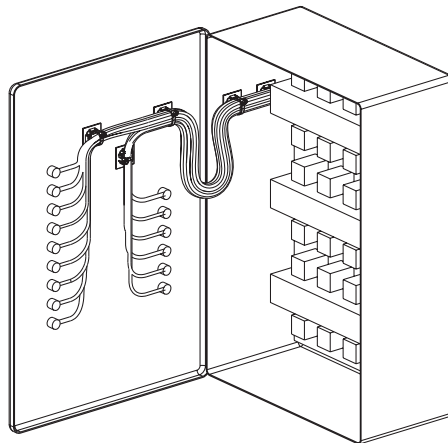


## INSTALLATION INSTRUCTIONS for Dynamic Cable Manager (ABDCM-INST)

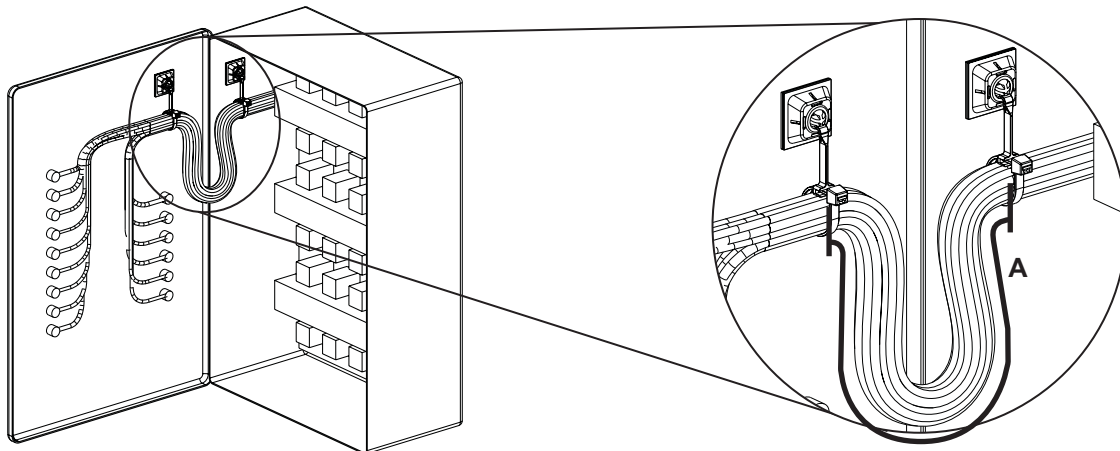
### Notes for installation:

- For best results, *PANDUIT* rubber adhesive mounts should be applied to clean, dry, grease-free surfaces. It is recommended that the surface be cleaned prior to mount installation with a blend of isopropyl alcohol and water 50/50.
- For proper installation, simply remove the release liner and place the mount in the desired location. Avoid touching the adhesive prior to positioning the mount. Apply firm pressure to the mount for 5 seconds to insure proper adhesion. Allow the mount to properly dwell.
- Ball-and-socket tether must hang down from the mount with bundle installed below the mount.
- Unsupported bundle length should be no more than 1.27 lbs. (see illustration below, unsupported bundle length is shown as figure "A")
- **There must be no rigid mounts in line with the dynamic cable manager. These mounts would restrict bundle motion.**
- The mounts should not be placed directly next to the hinge. A suggested minimum of 1" between edge of part and hinge is recommended.
- Please see below for a comparison of typical current installations using static mounts and suggested installation using dynamic cable manager mounts

### *Typical current installations using static mounts*



### *Suggested installation using dynamic cable manager mounts*



For Technical Support: [www.panduit.com/resources/install\\_maintain.asp](http://www.panduit.com/resources/install_maintain.asp)

For Instructions in Local Languages  
and Technical Support:

[http://www.panduit.com/resources/install\\_maintain.asp](http://www.panduit.com/resources/install_maintain.asp)



[www.panduit.com](http://www.panduit.com)

E-mail:  
[cs@panduit.com](mailto:cs@panduit.com)

Fax:  
(708) 532-1811