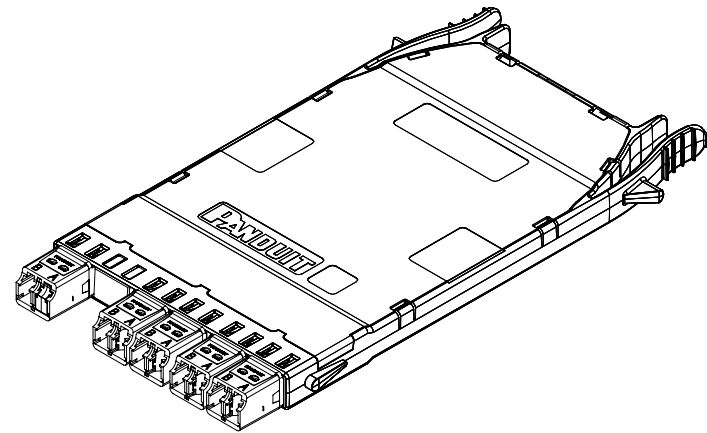


- NOTES:
1. VISIT OUR ON-LINE CATALOG AT WWW.PANDUIT.COM FOR A LIST OF CURRENT PARTS APPLICABLE FOR USE WITH THIS PRODUCT.
 2. DIMENSIONS IN [] ARE METRIC.
 3. ALL MATERIALS AND COMPONENTS USED MEET THE MATERIAL RESTRICTIONS OF RoHS (EUROPEAN DIRECTIVE 2011/65/EU ON THE RESTRICTION OF HAZARDOUS SUBSTANCES) AS PROPOSED BY THE RoHS TECHNICAL ADAPTATION COMMITTEE.
 4. MATERIAL AND COLOR:
CASSETTE BODY: BLACK PLASTIC
ADAPTERS: APC GREEN



PART NUMBER	DESCRIPTION	MAXIMUM IL (1260-1650nm)	MAXIMUM IL UNIFORMITY	MINIMUM RL
FHP9N-LA1X08	HD Flex PON Splitter Cassette, 1x8, Standard Width, LC/APC to LC/APC	10.7 dB	1.0 dB	55 dB

TITLE HD Flex PON Splitter Cassette, 1x8, Standard Width, LC/APC to LC/APC CUSTOMER DRAWING				
ITEM REVISION NAME 00801EAA/01		PANDUIT		
DATASET FILE NAME 00801EAA_DC/01A				
MATERIAL N/A		DRAWING NUMBER 00801EAA-DC		
THIRD ANGLE PROJECTION				
DRAWN BY SAT	DATE 01/07/2021	CHK BJBE	SCALE NONE	SHEET 1 OF 1

A-SIZE CUSTOMER

01A	01-20-21	SAT	BJBE	EJH	INITIAL RELEASE
REV	DATE	BY	CHK	APR	DESCRIPTION
					ECN