

UK Installation instructions

FI Asennusohje

LV Instalācijas instrukcija

DE Montageanleitung

FR Notice de montage

NO Monteringsanvisning

CZ Montážní návod

HU Szerelési útmutató

PL Instrukcja montażu

DK Monteringsvejledning

IT Istruzioni di montaggio


SE Installationsanvisning


EE Paigaldusjuhend

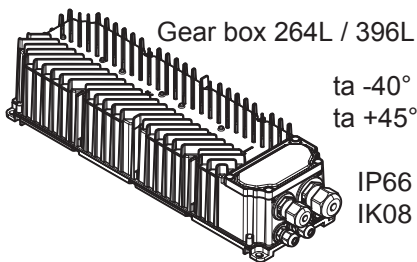
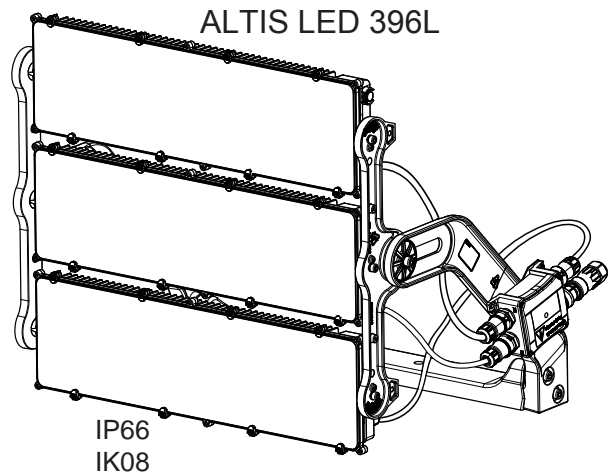
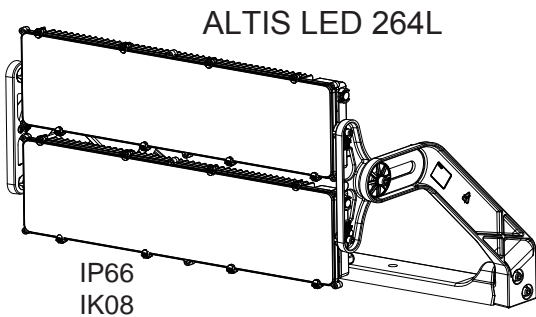
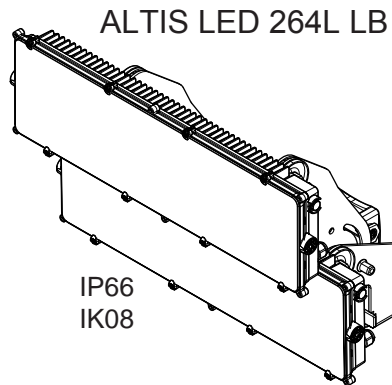
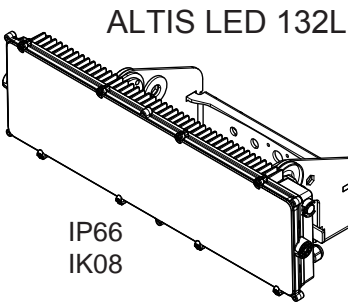
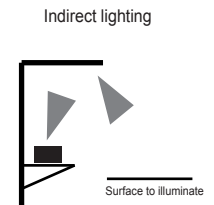
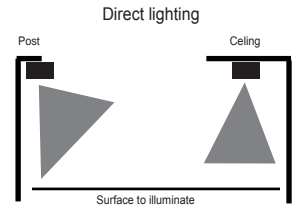
LT Montavimo Instrukcijos

RU ИНСТРУКЦИЯ ПО МОНТАЖУ

TYPE : ALTIS LED 132L-264L-396L

 The luminaire with clear optic should be positioned so that prolonged staring into the luminaire at a distance <2m is not expected

Caution, risk of electric shock
Danger, risque de chocs électriques 



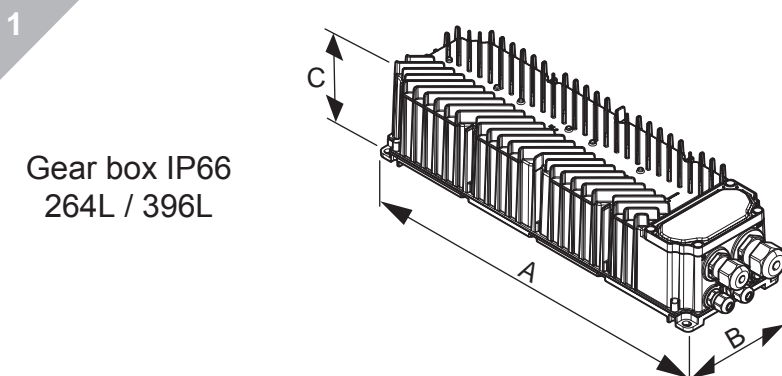
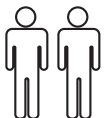
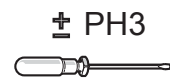
ta -40°
ta +45°




CLASS I 

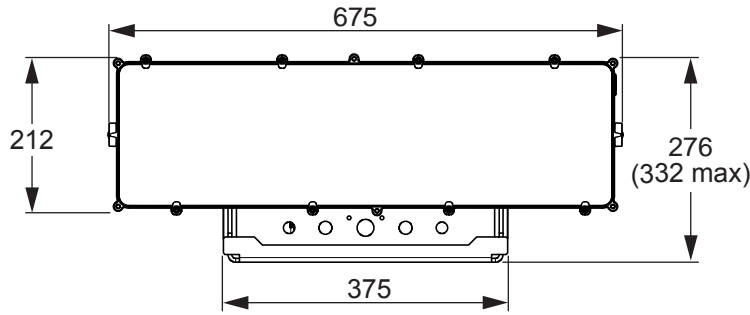


7/22/24/33/36/42

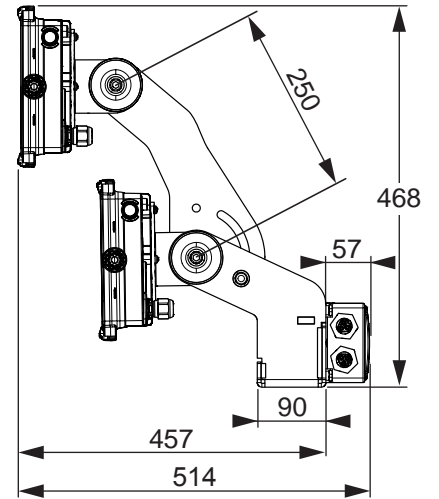
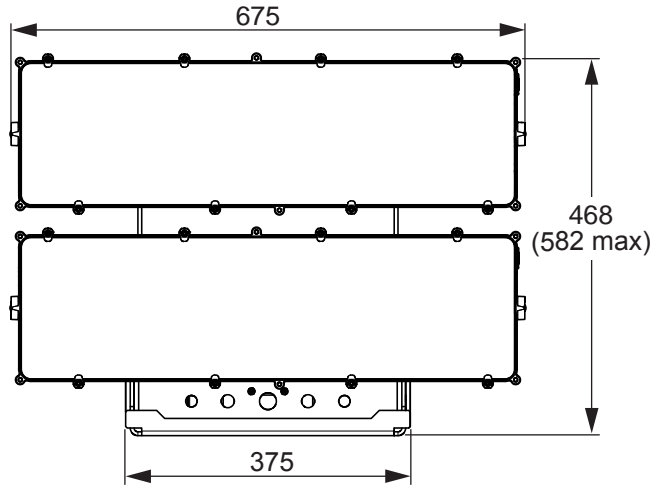


Gear box	A	B	C	 (kg)
264L	500	150	120	5.4
396L	500	150	120	6.1

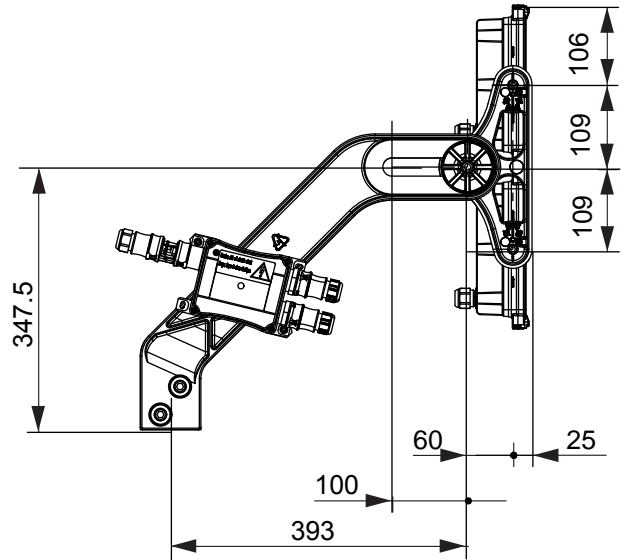
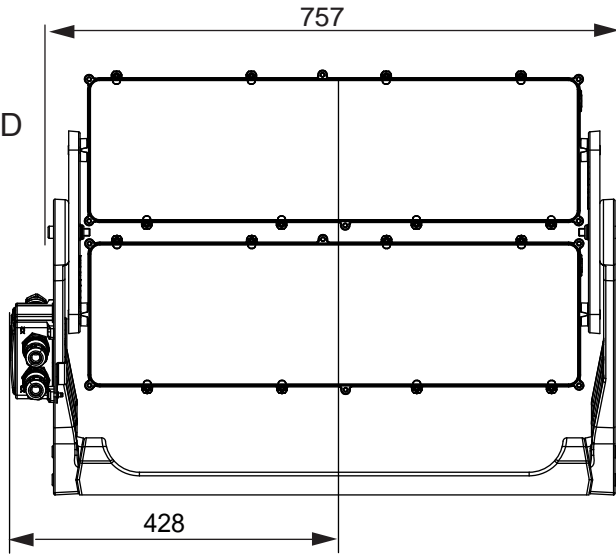
ALTIS LED
132L



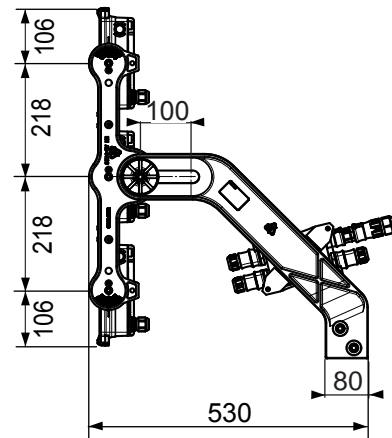
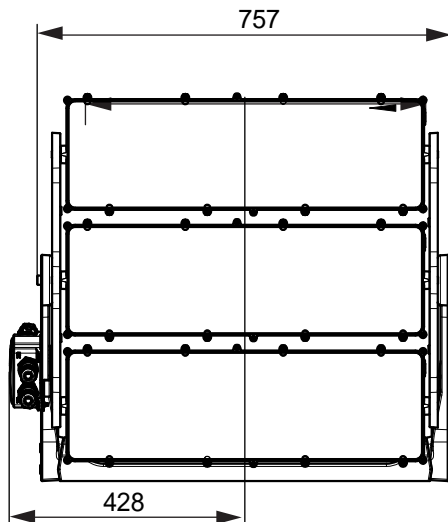
ALTIS LED
264L LB

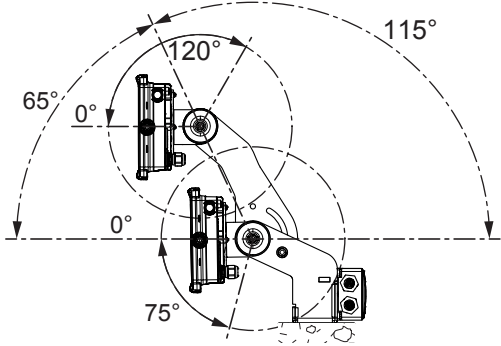
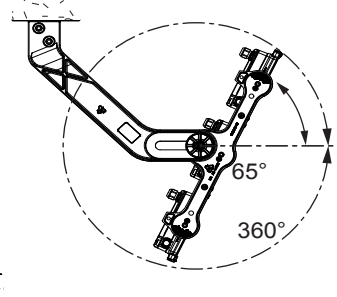
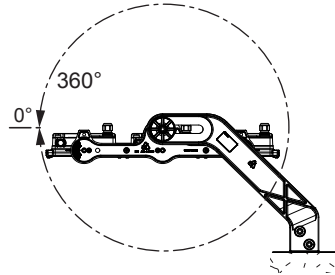
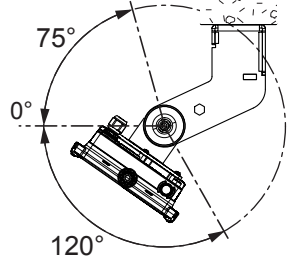
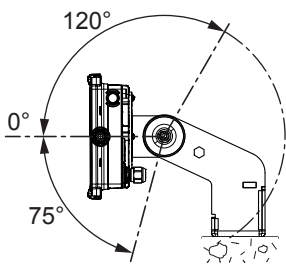


ALTIS LED
264L



ALTIS LED
396L



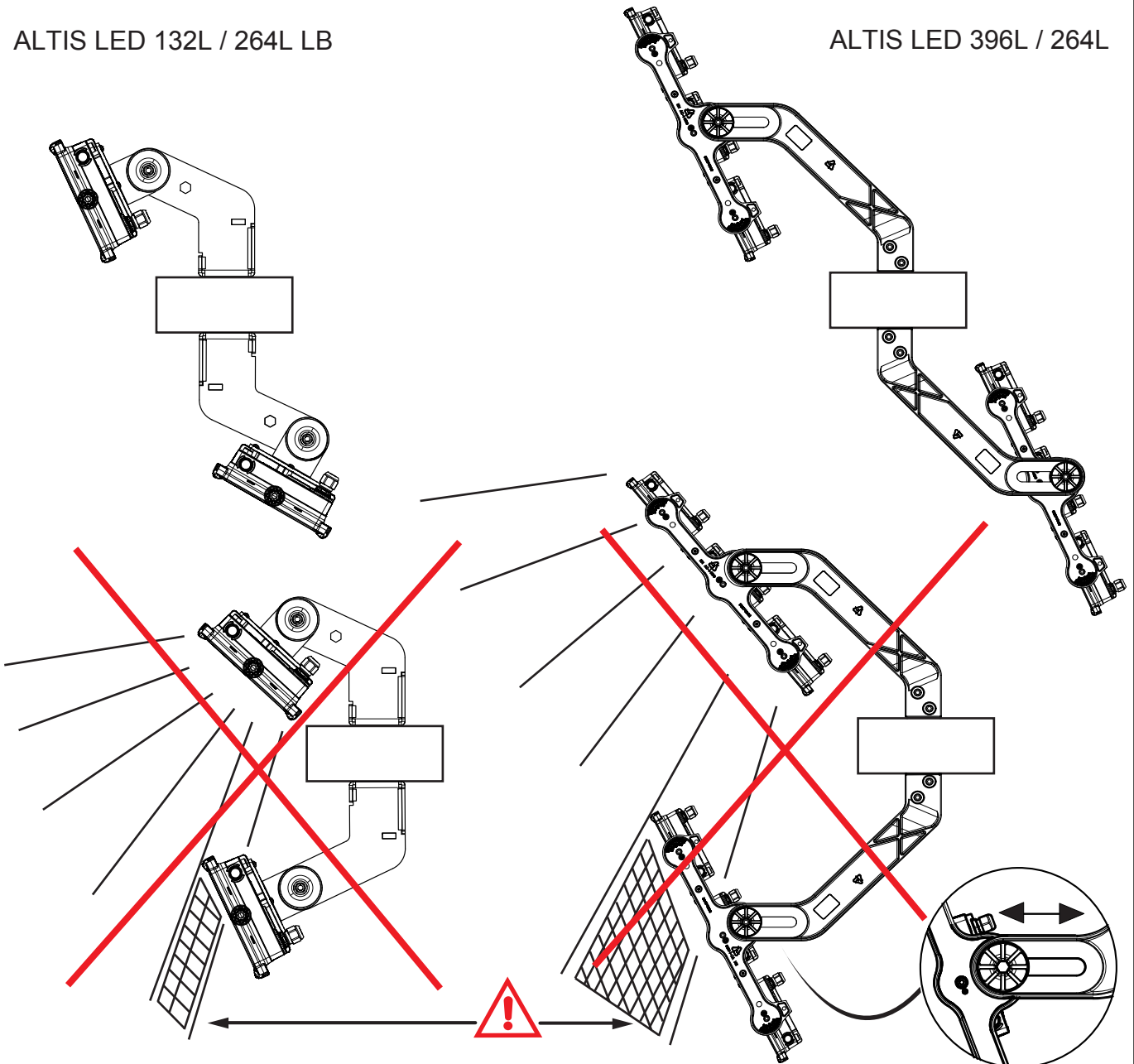


		S _C X 0°*	S _C X 15°*	S _C X 45°*	S _C X 65°*	Weight
ALTIS	132L	0,07	0,08	0,09	0,13	9,6 kg
	264L LB	0,07	0,10	0,20	0,27	18,4 kg
	264L	0,07	0,13	0,15	0,18	22,7 kg
	396L	0,158	0,187	0,339	0,446	30,7 kg

* These data refer to the worst case at indicated angle

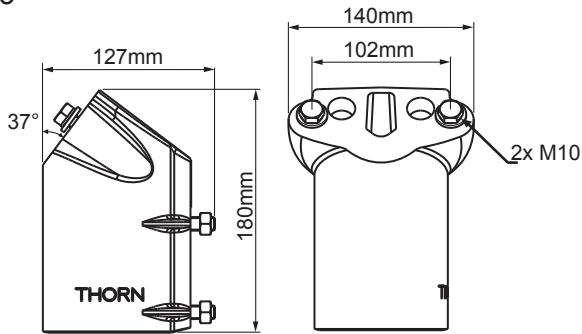
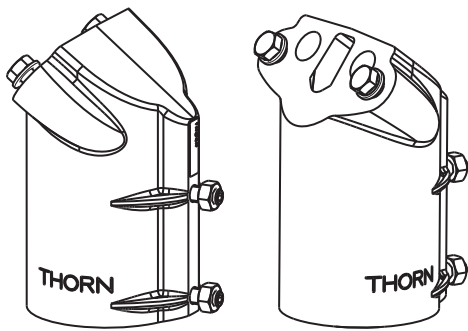
ALTIS LED 132L / 264L LB

ALTIS LED 396L / 264L

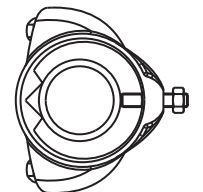


4

MTP 60MM : Code 96274660
MTP 76MM : Code 96274659

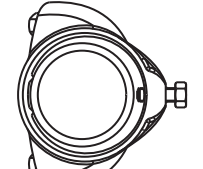


MTP 60MM



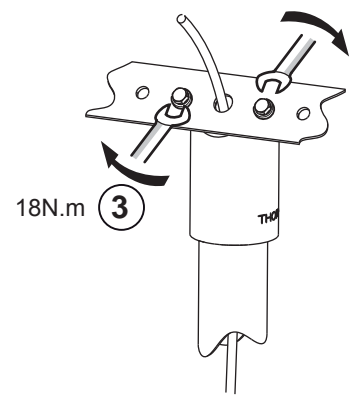
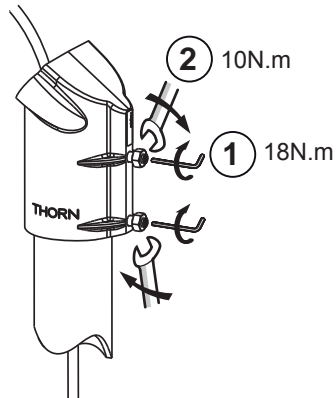
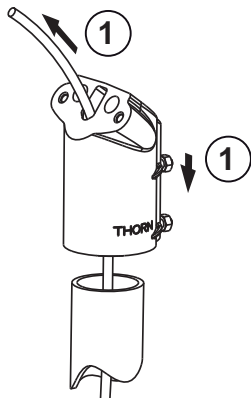
1,66kg

MTP 76MM



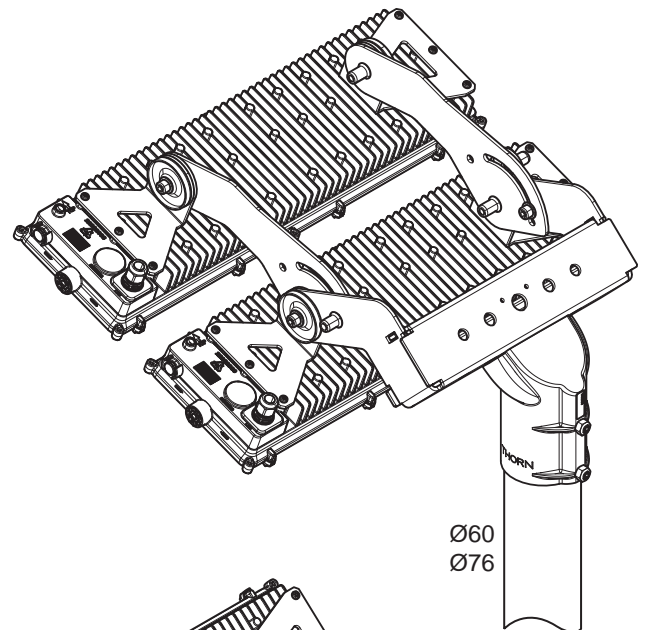
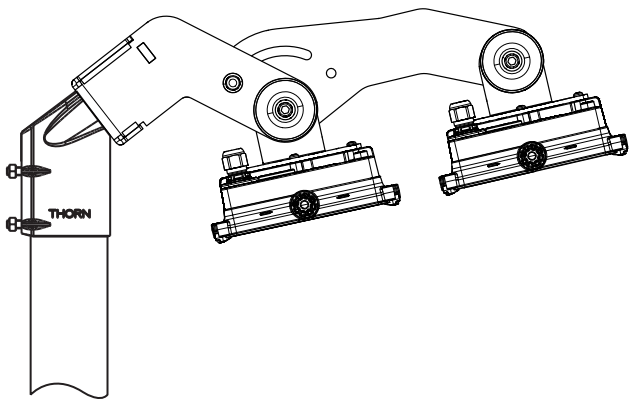
1,60kg

5

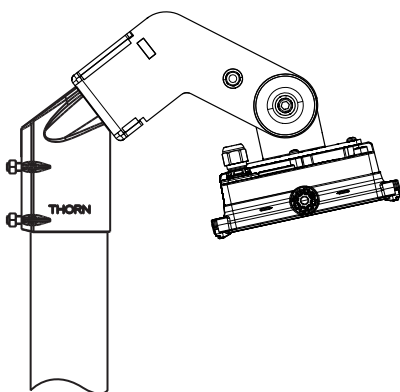


6

ALTIS LED 132L / 264L LB

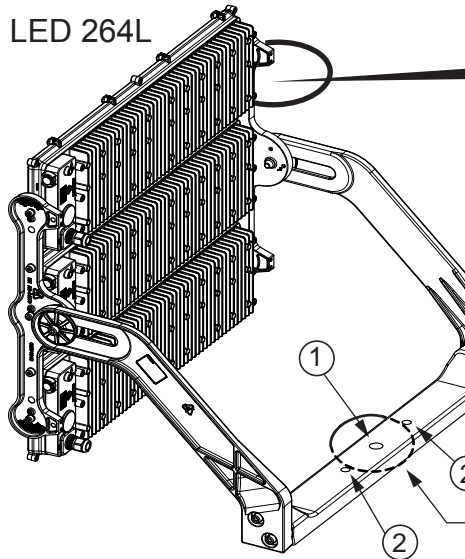


Ø60
Ø76

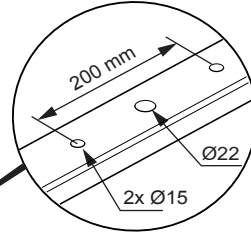


Ø60
Ø76

7 ALTIS LED 264L / 396L



For installation higher >3m
Secure product with retaining cable attached to the frame

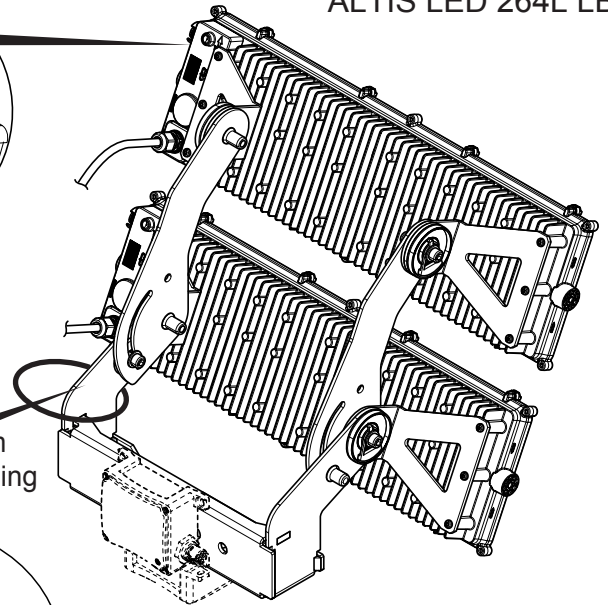
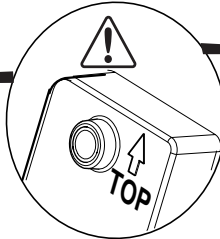
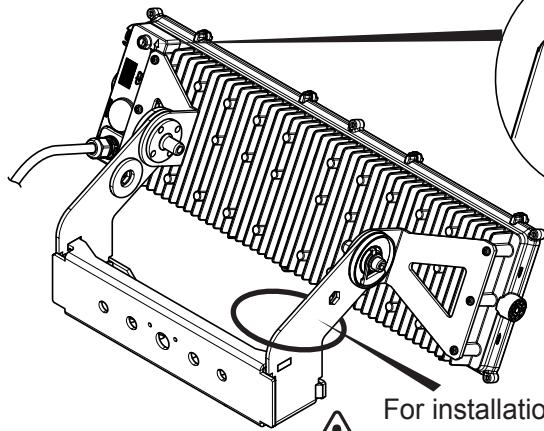


- ① 1x M20 with extra large washer (not provided)
or
- ② 2x M14 with extra large washer (not provided)

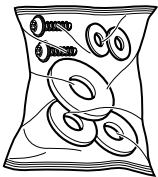
Support surface Ø250 mm minimum

8 ALTIS LED 132L

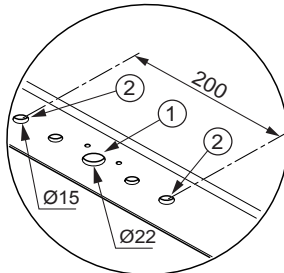
ALTIS LED 264L LB



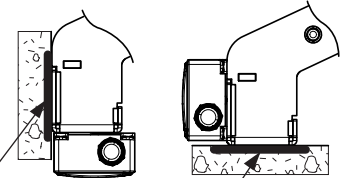
For installation higher >3m
Secure product with retaining cable attached to the fork



- ① 1x M20 with extra large washer provided
or
- ② 2x M14 with extra large washer provided

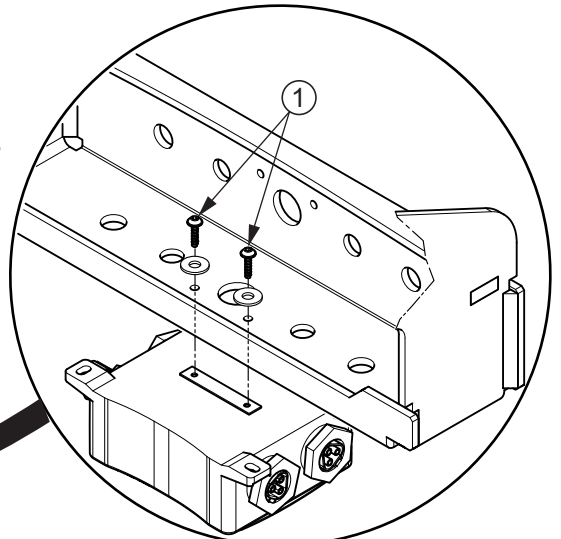
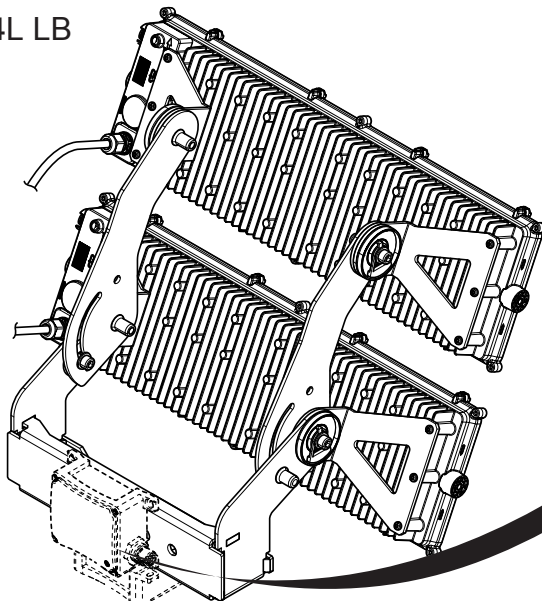


Support surface Ø250 mm minimum

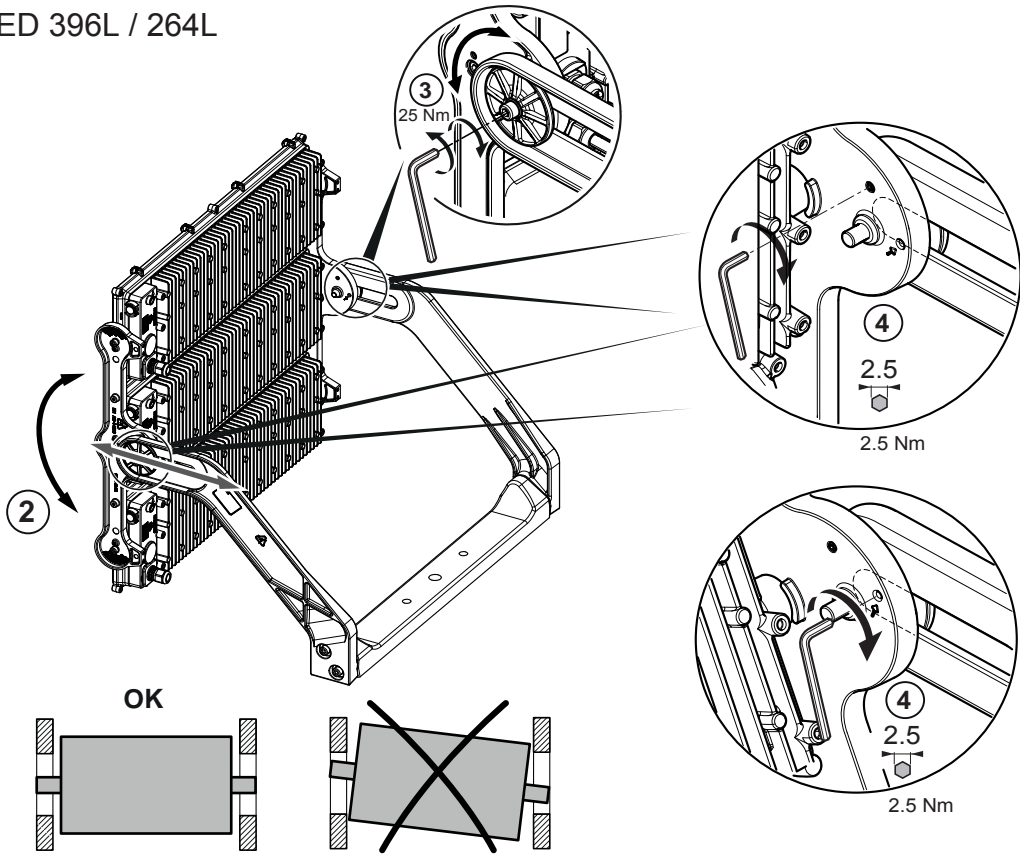


9 ALTIS LED 264L LB

- ① Screw 2x K4 for connection box fixing on the fork provided

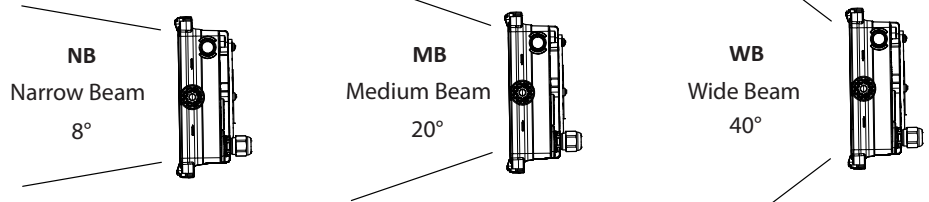


10 ALTIS LED 396L / 264L

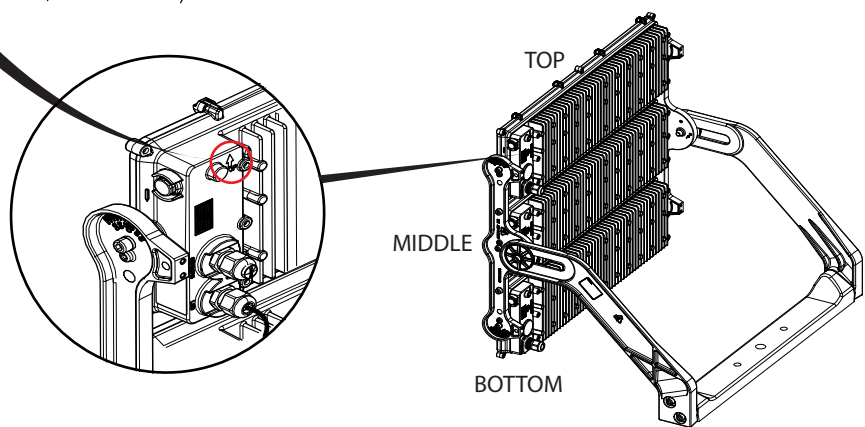
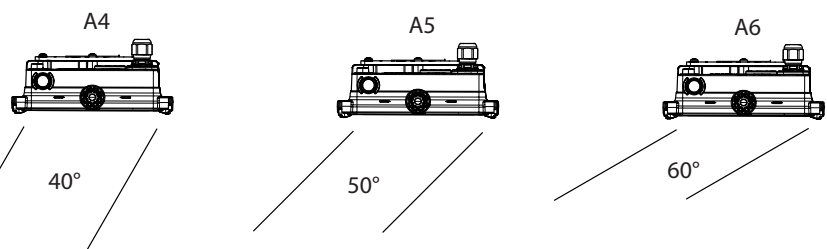


11 ALTISLEDG3 396L NBMBWB 740

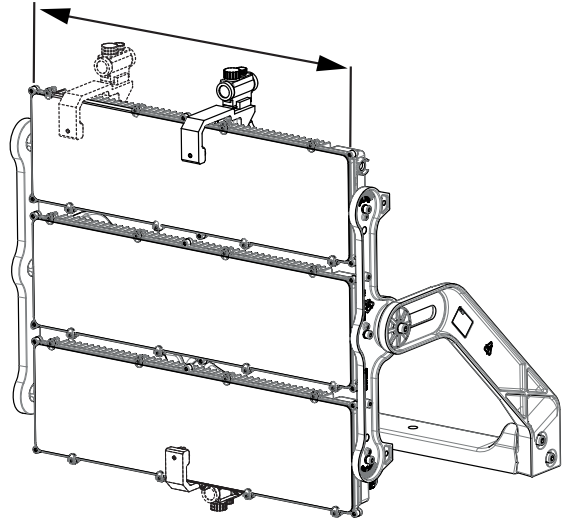
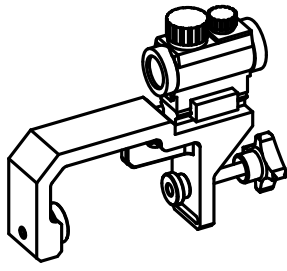
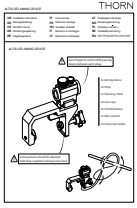
Top brick / Middle brick / Bottom brick



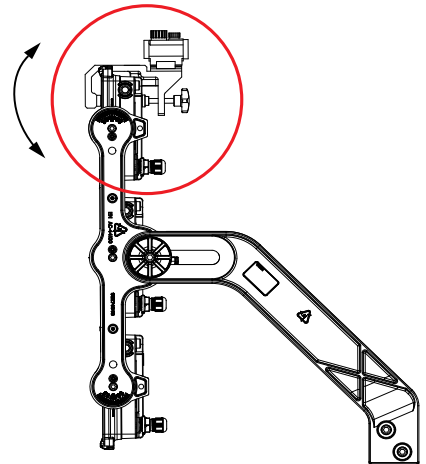
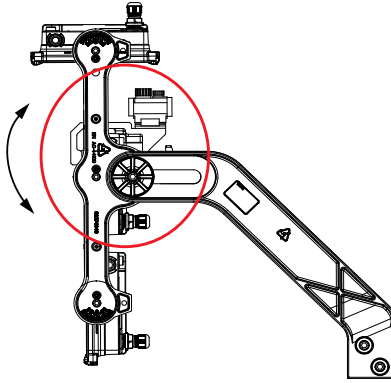
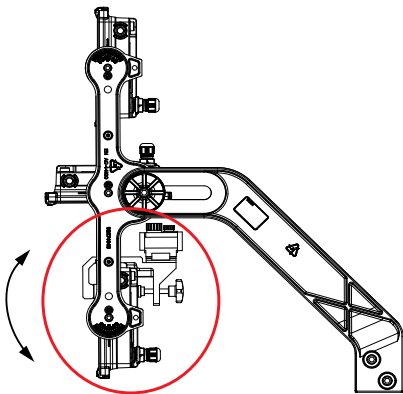
For asymmetric, beam direction indicated by the arrow



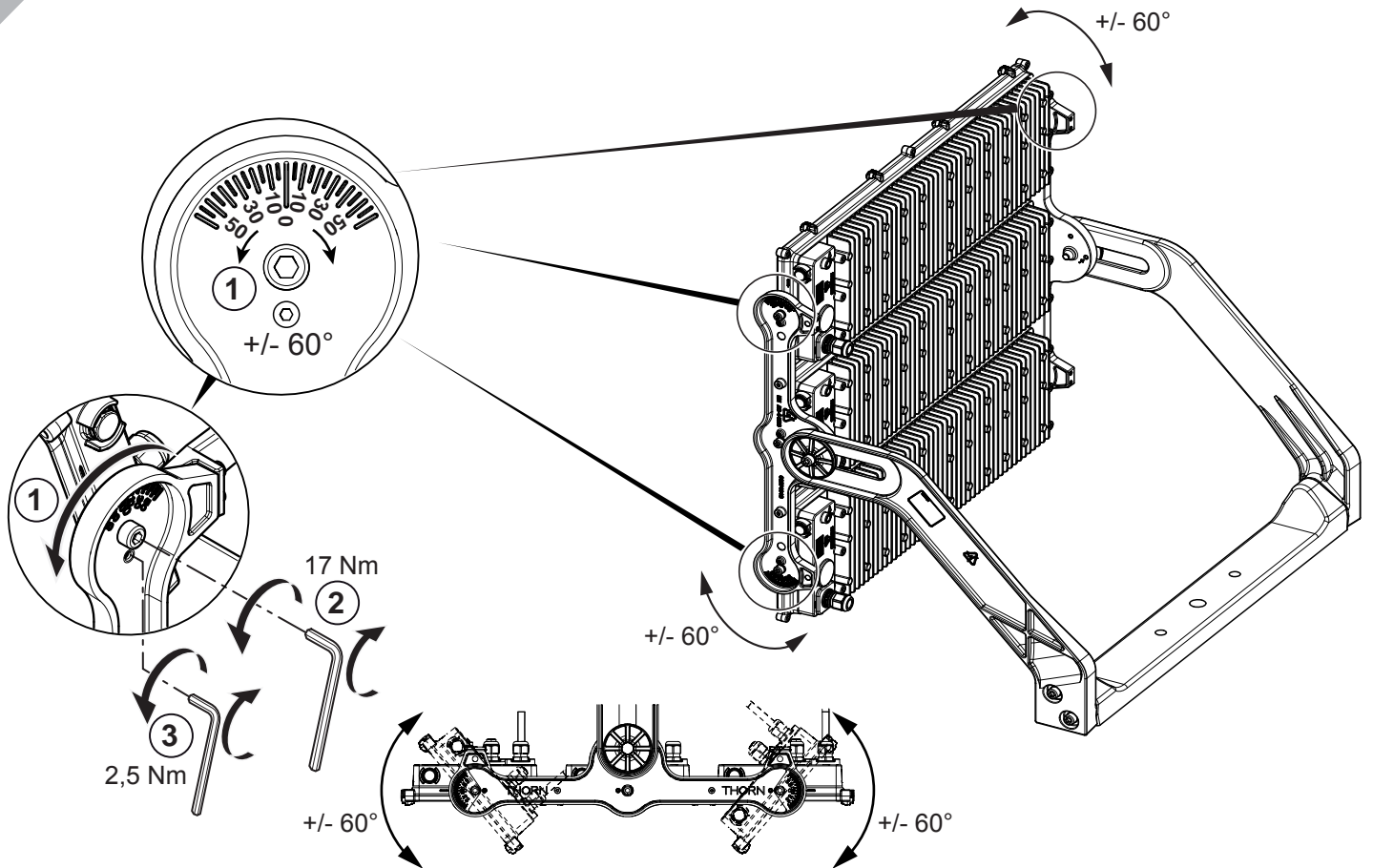
REF : 96279036



To adjust bricks only by one

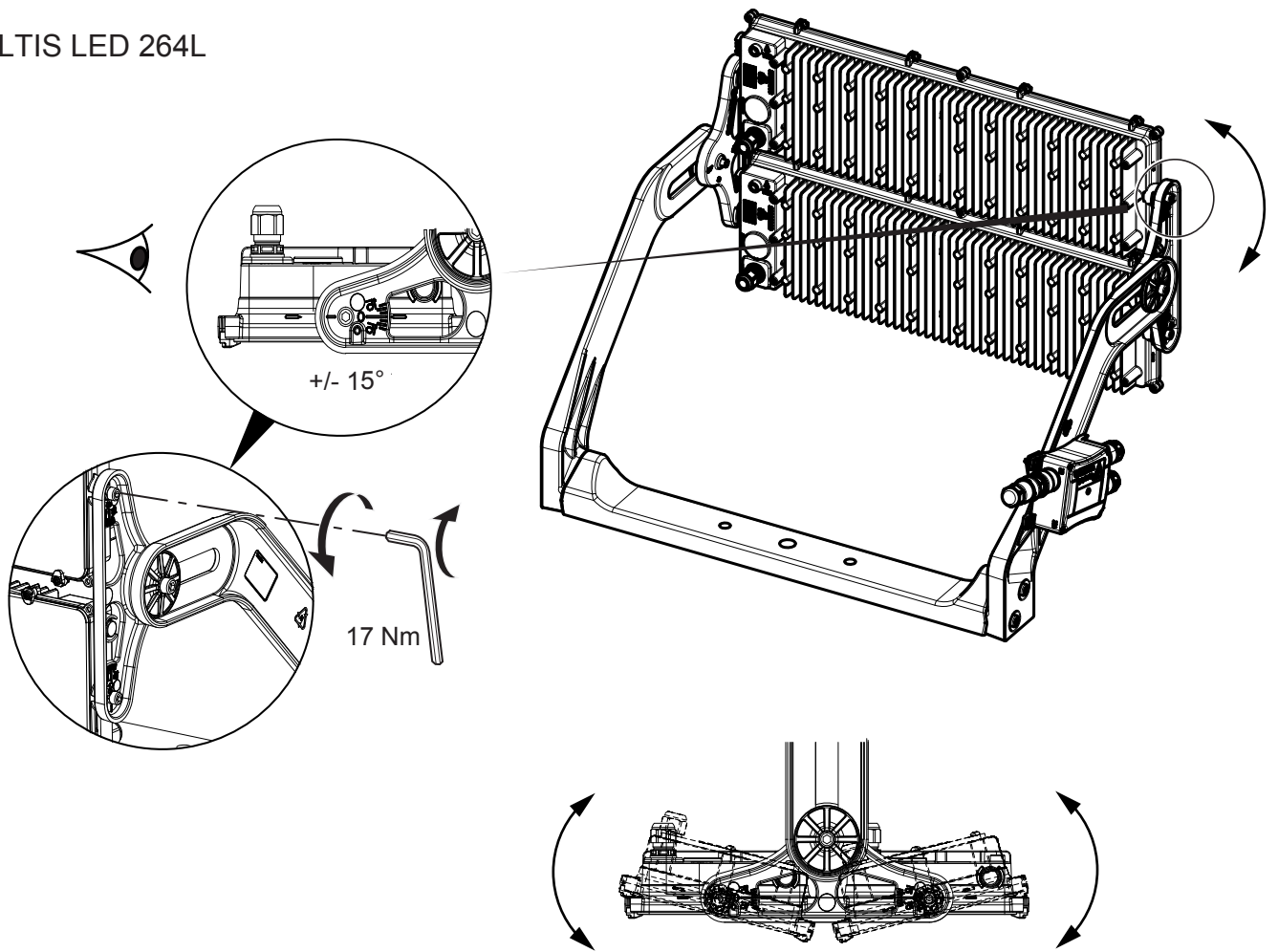


ALTIS LED 396L



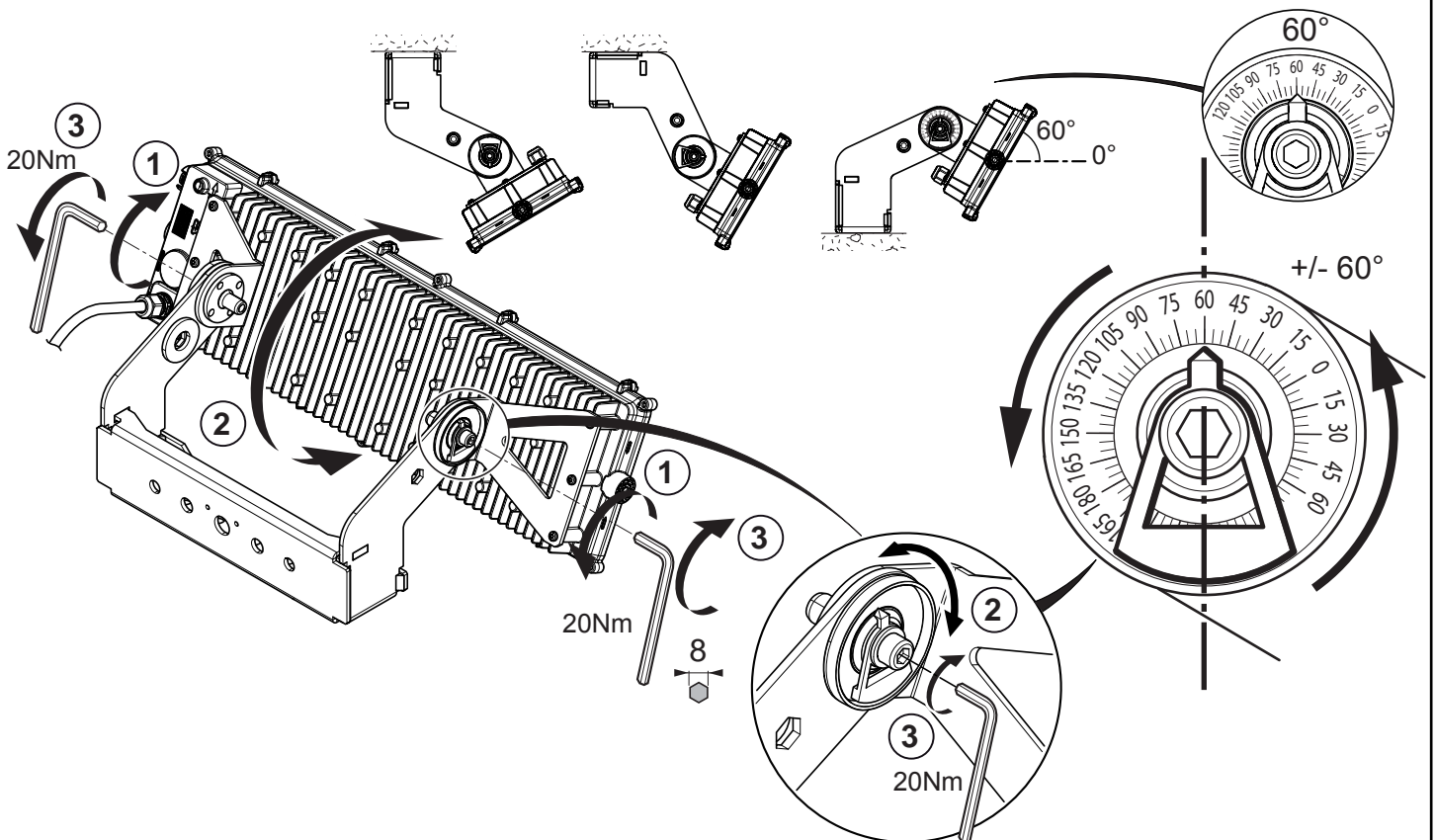
14

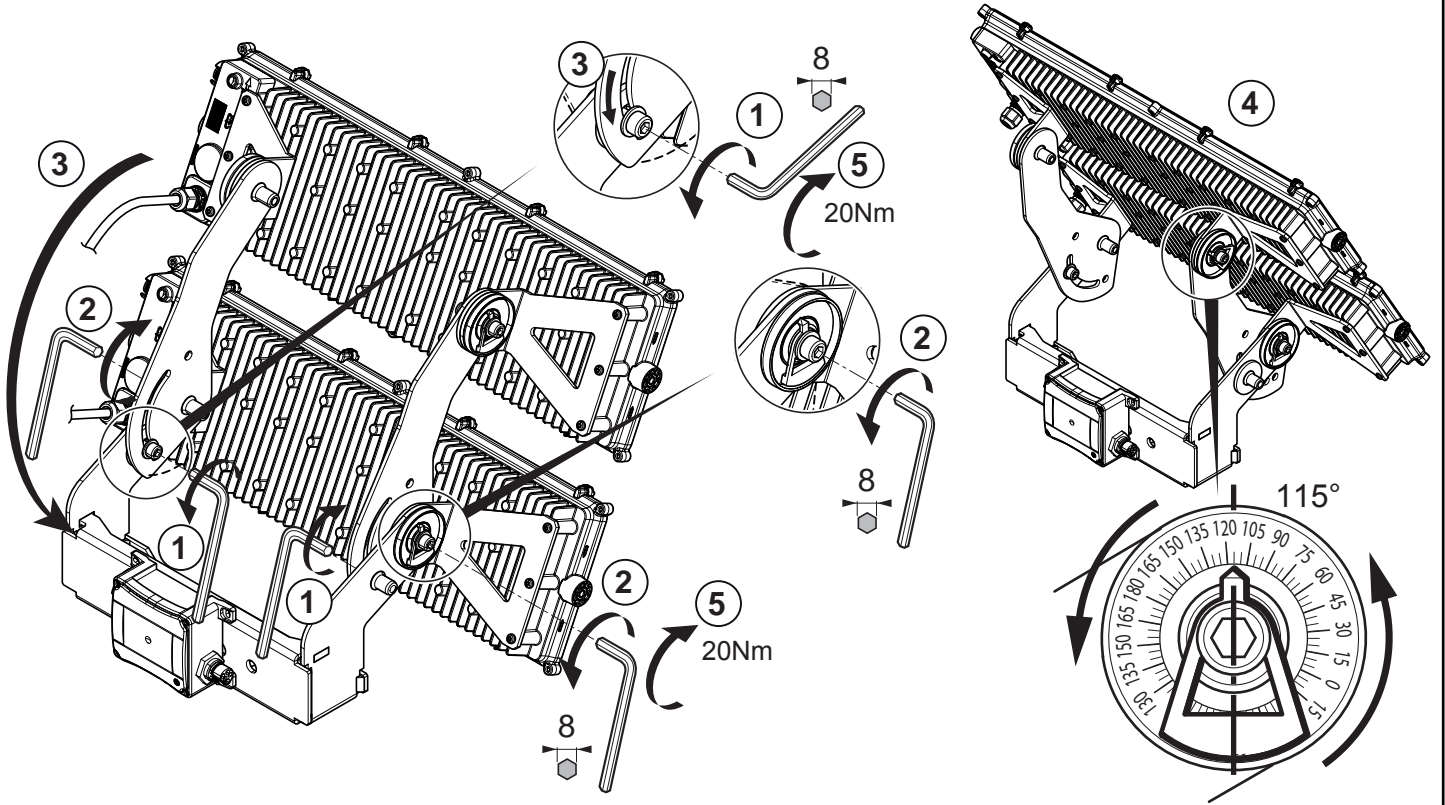
ALTIS LED 264L



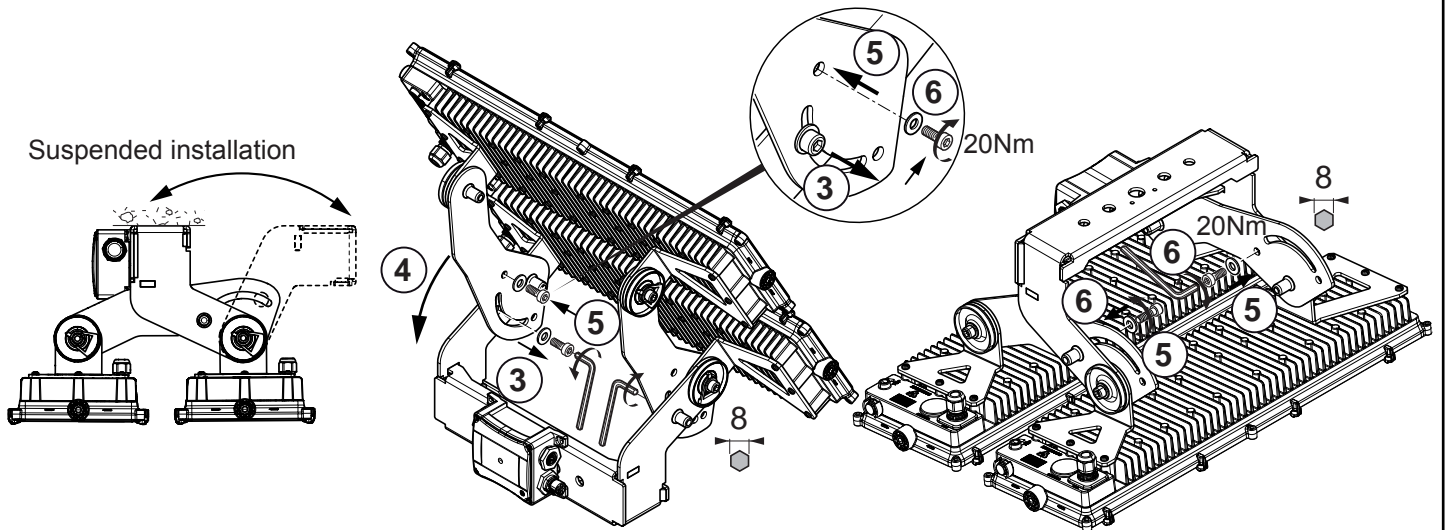
15

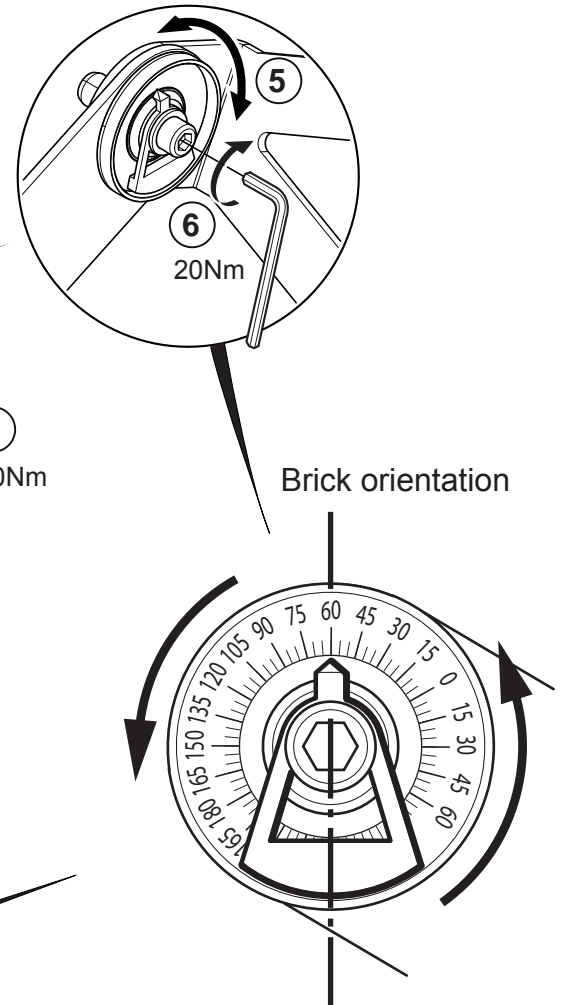
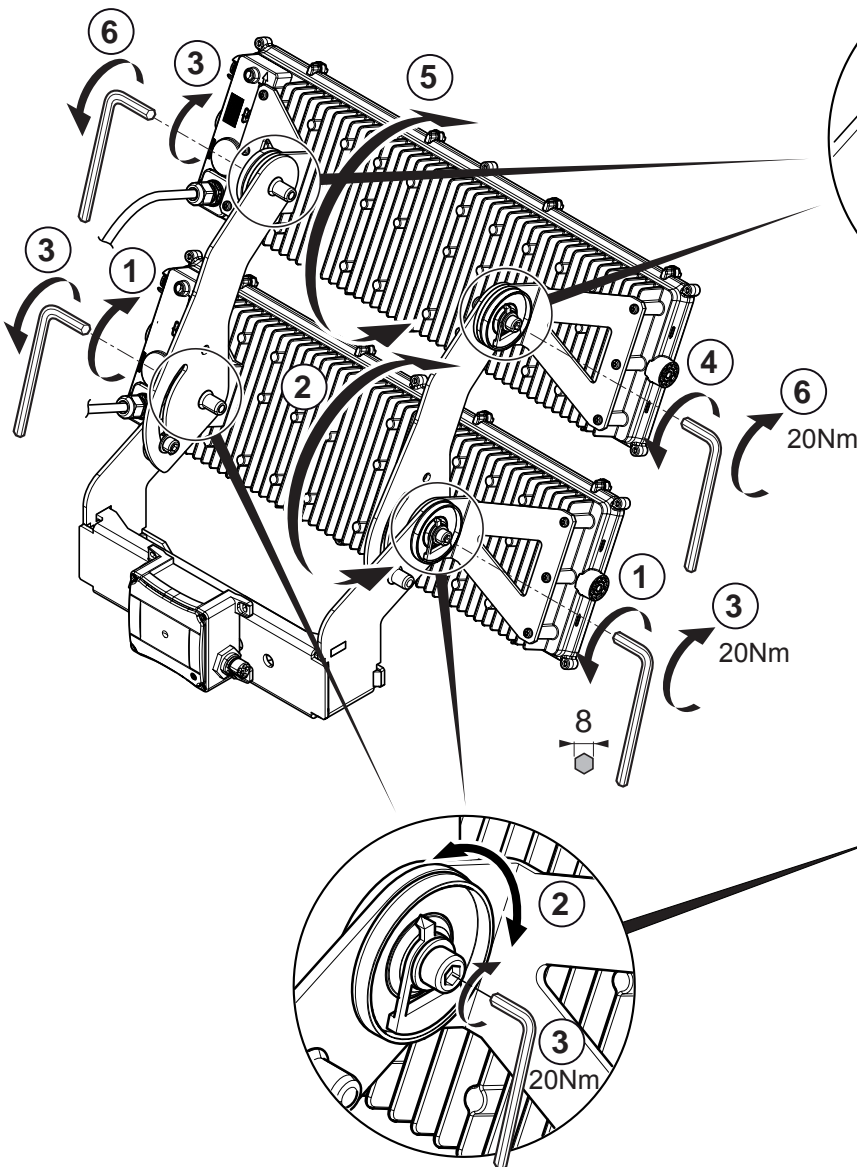
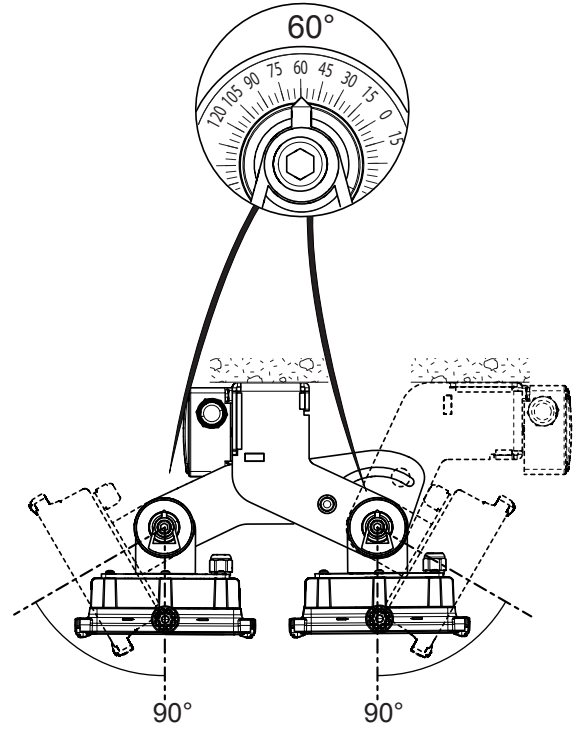
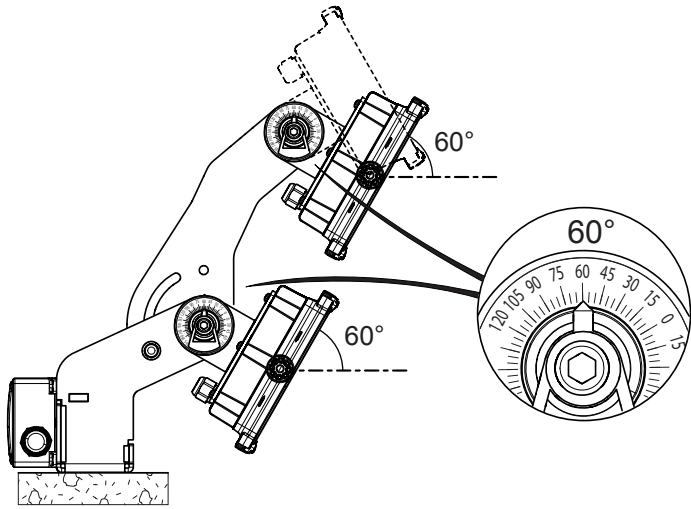
ALTIS LED 132L



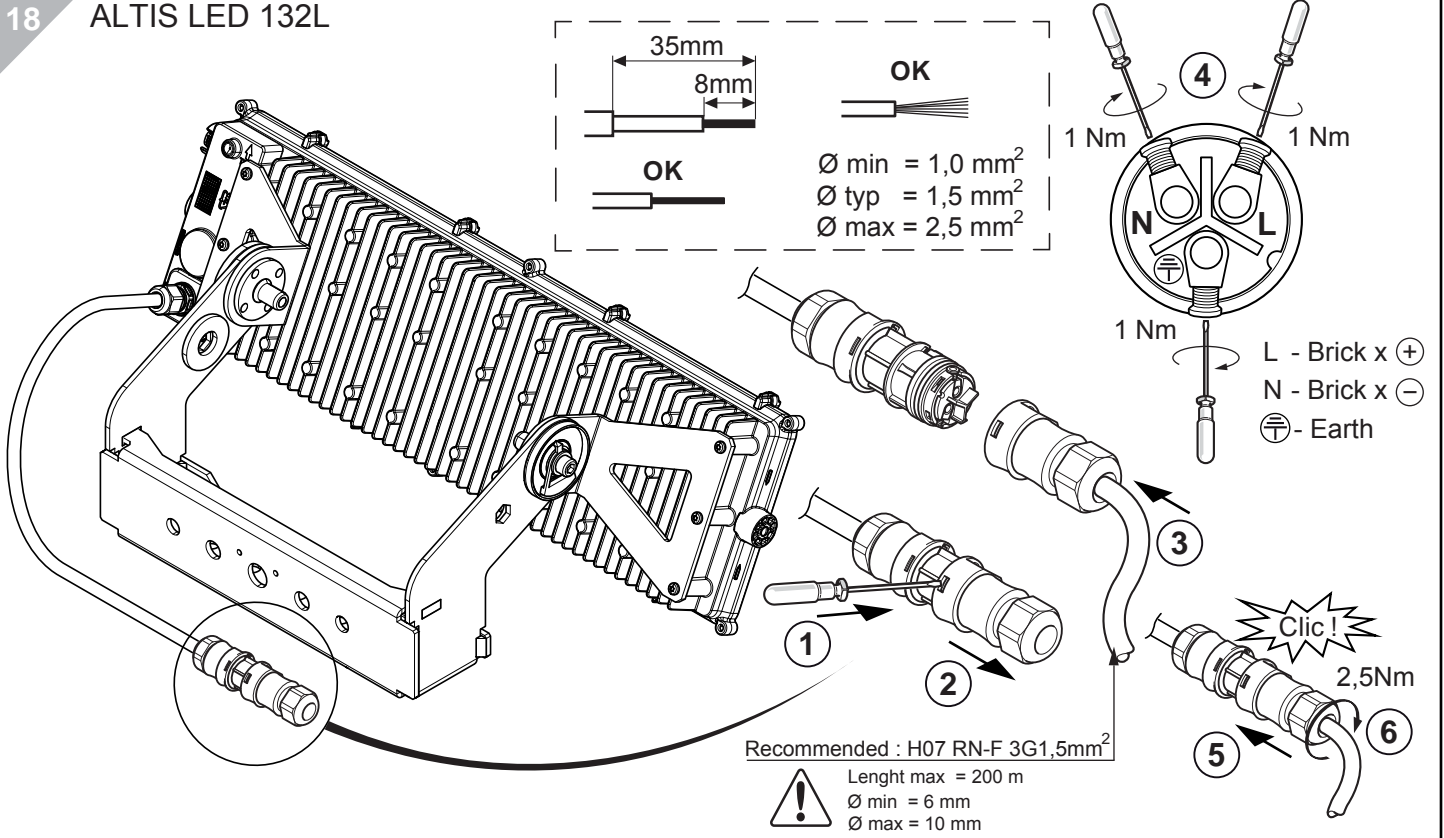


Suspended installation

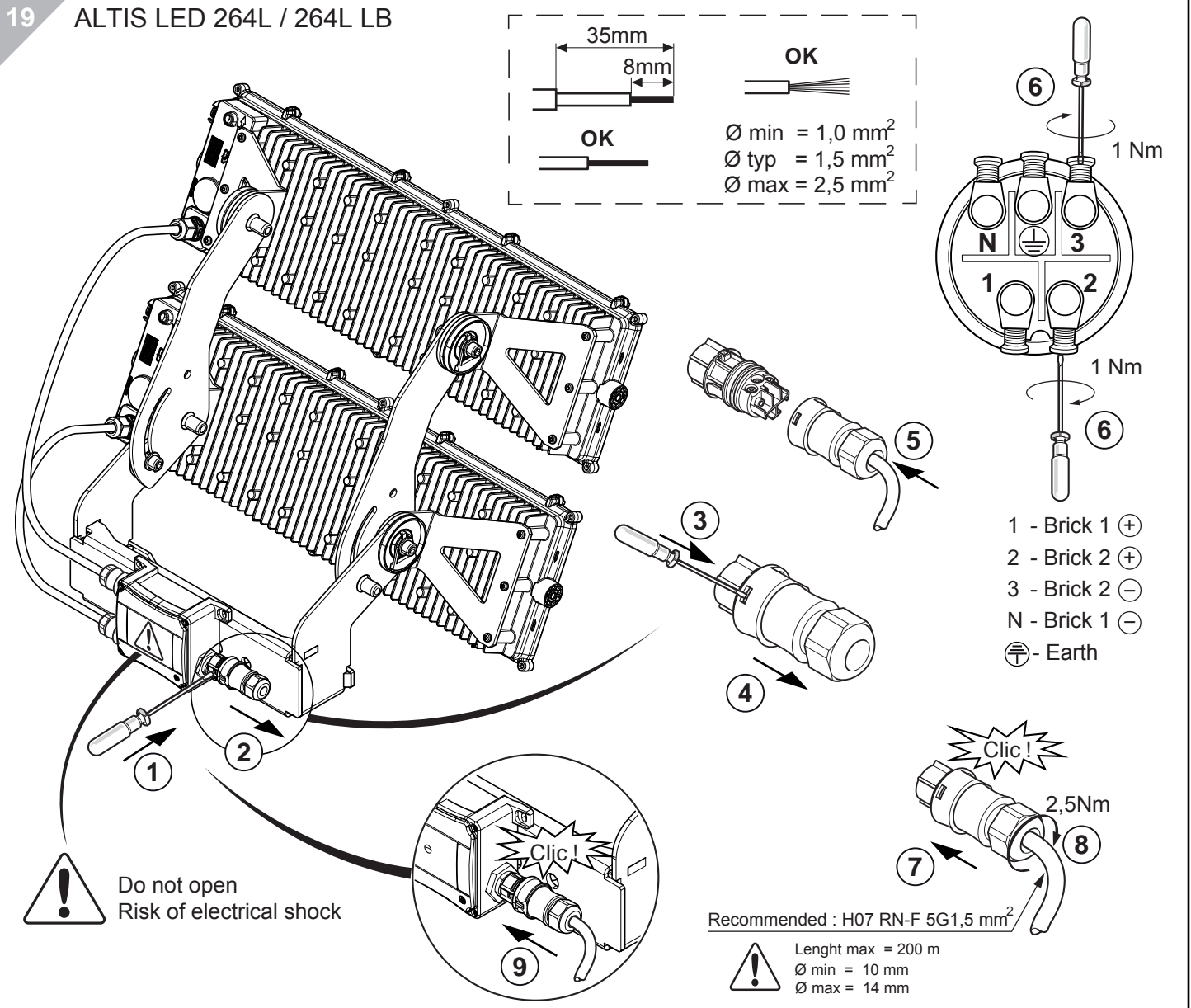




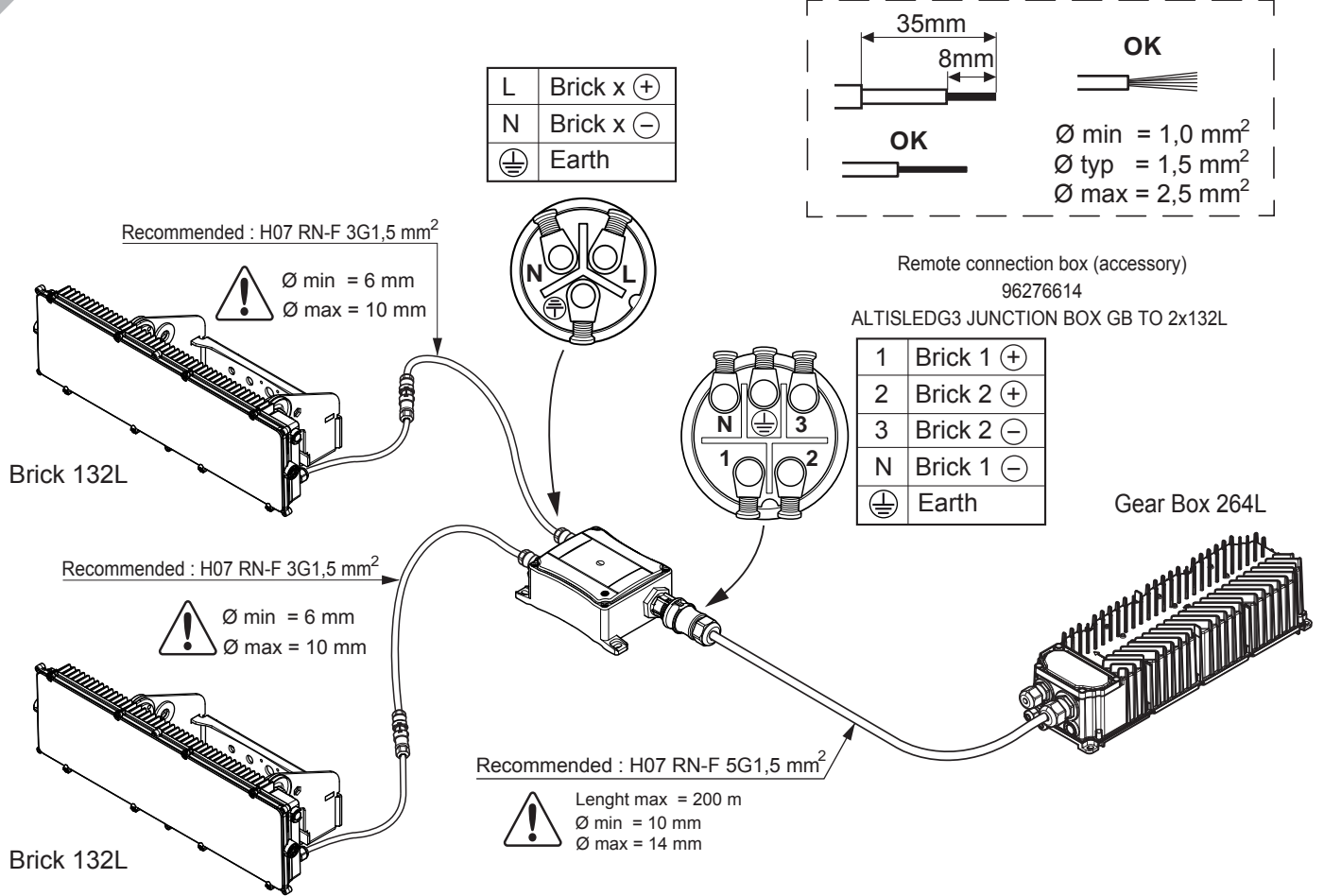
18 ALTIS LED 132L



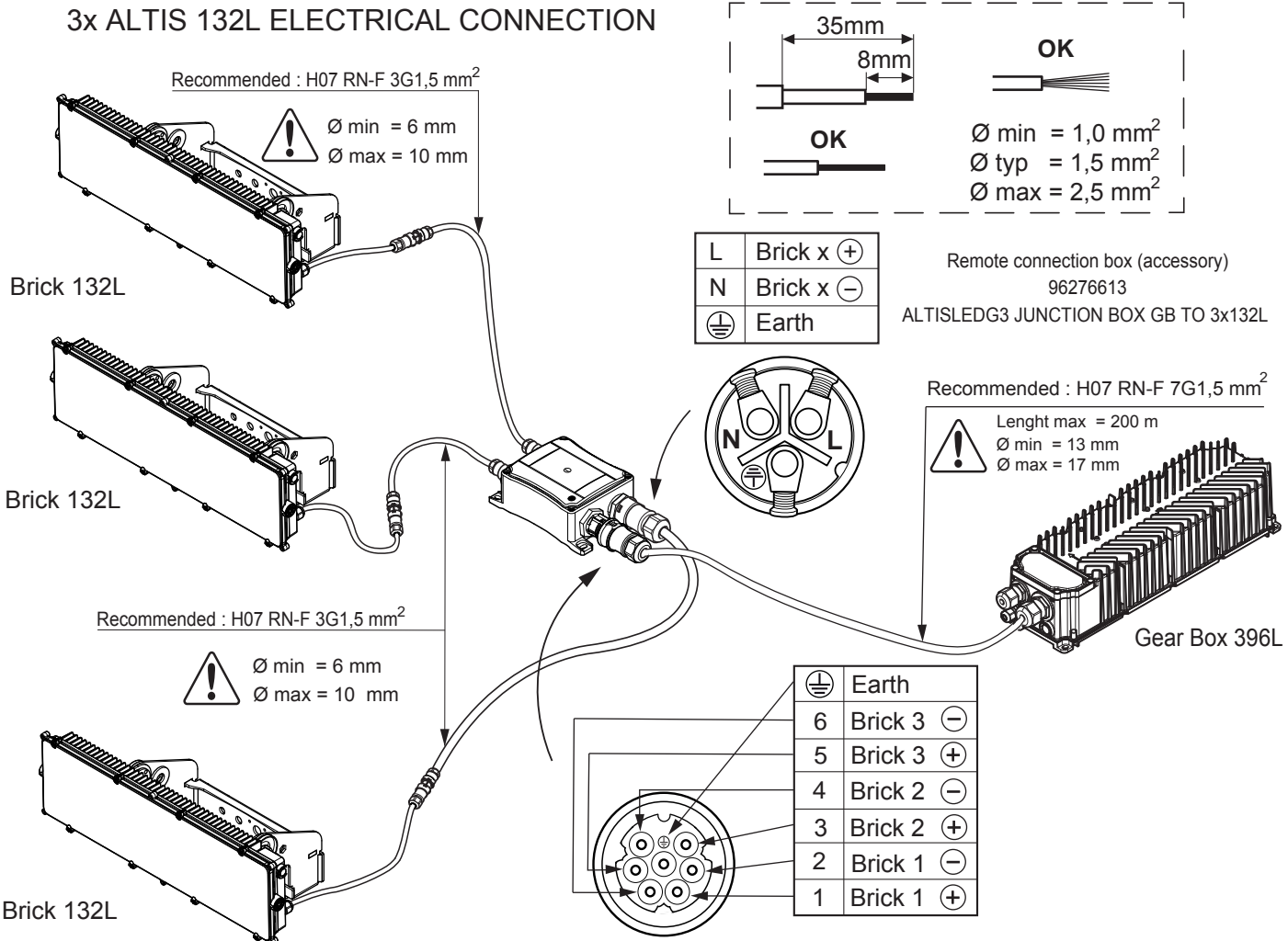
19 ALTIS LED 264L / 264L LB



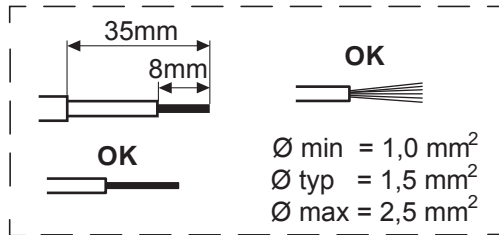
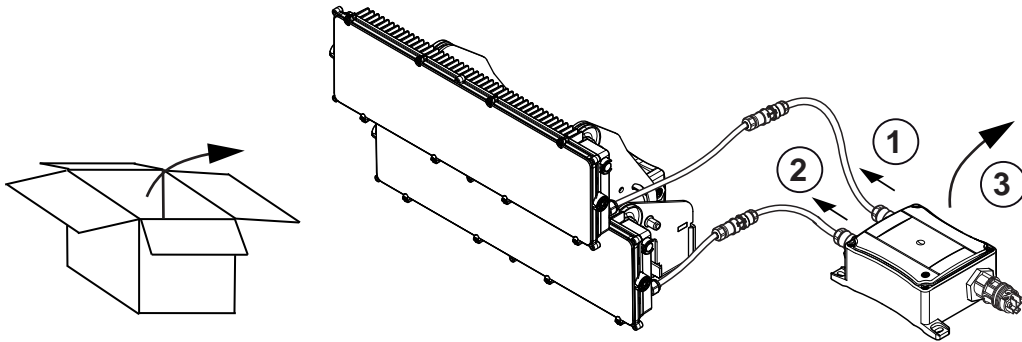
2x ALTIS 132L ELECTRICAL CONNECTION



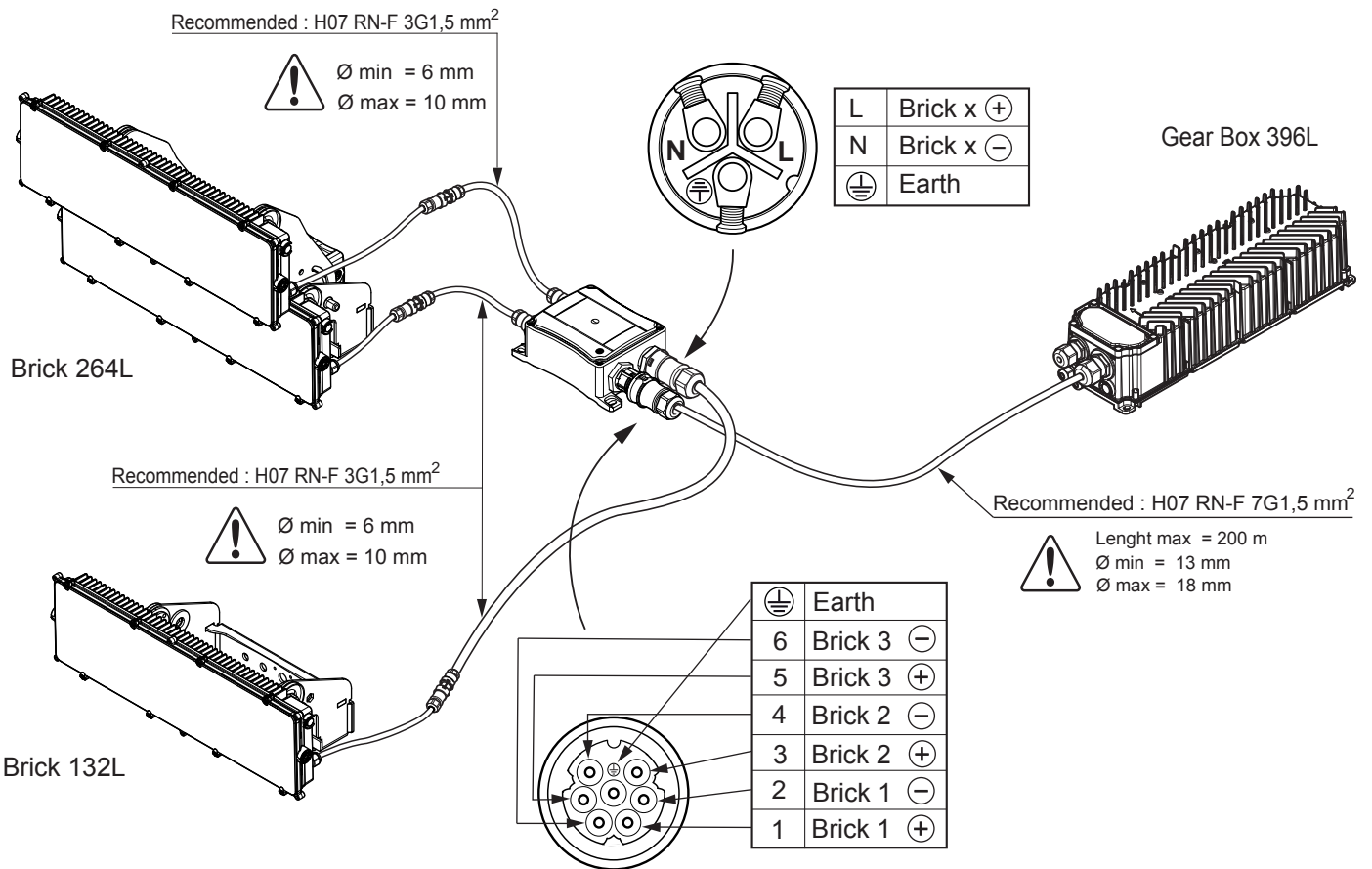
3x ALTIS 132L ELECTRICAL CONNECTION

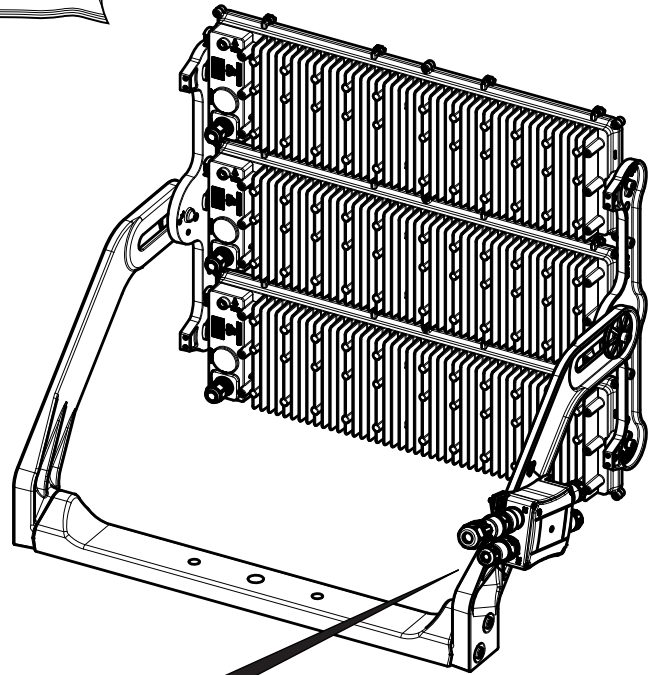
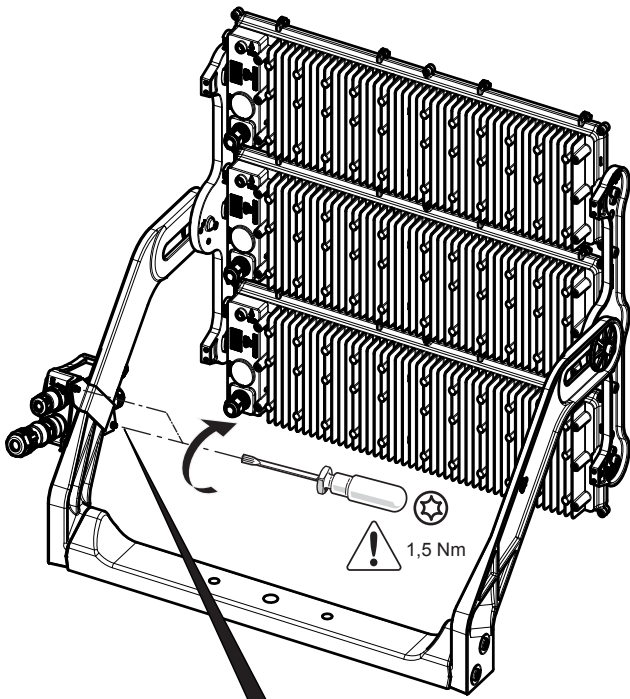


1x ALTIS 264L and 1x ALTIS 132L ELECTRICAL CONNECTION



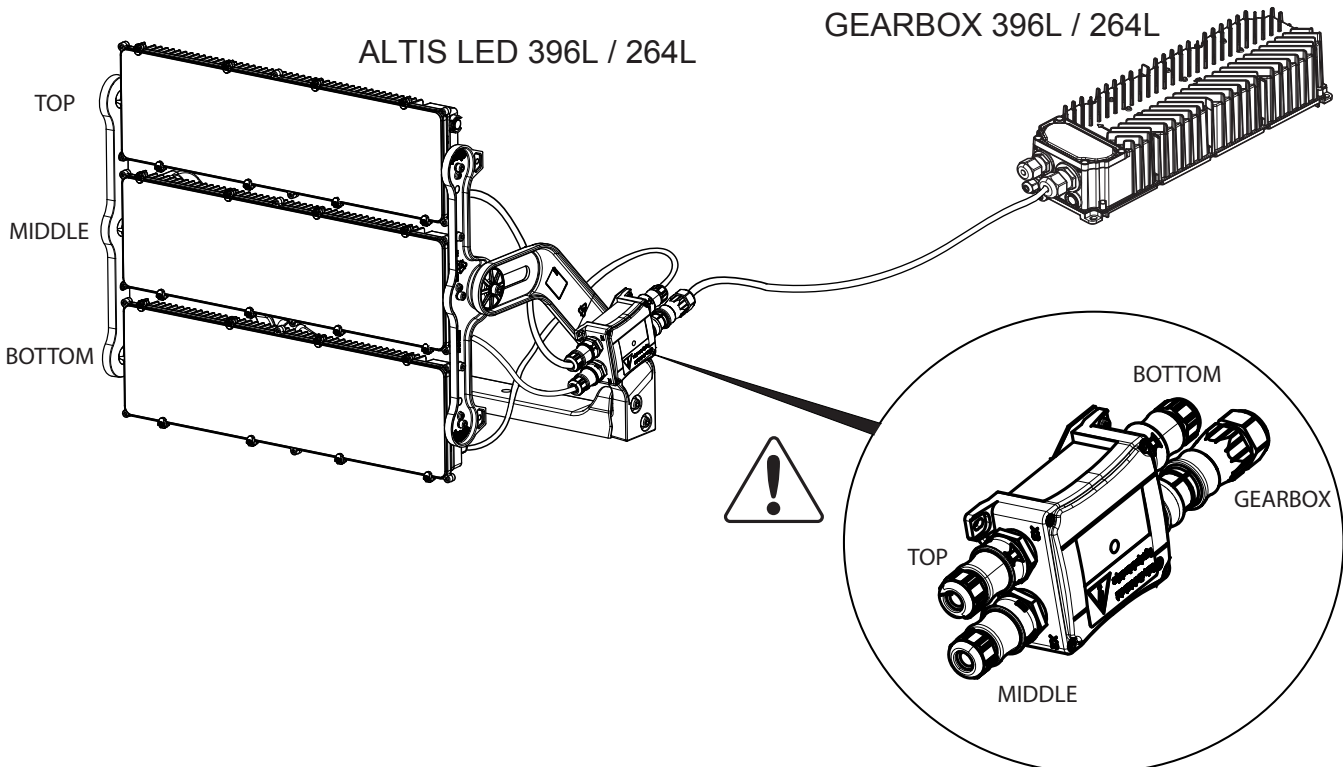
Remote connection box (accessory)
96276613
ALTISLEDG3 JUNCTION BOX GB TO 3x132L



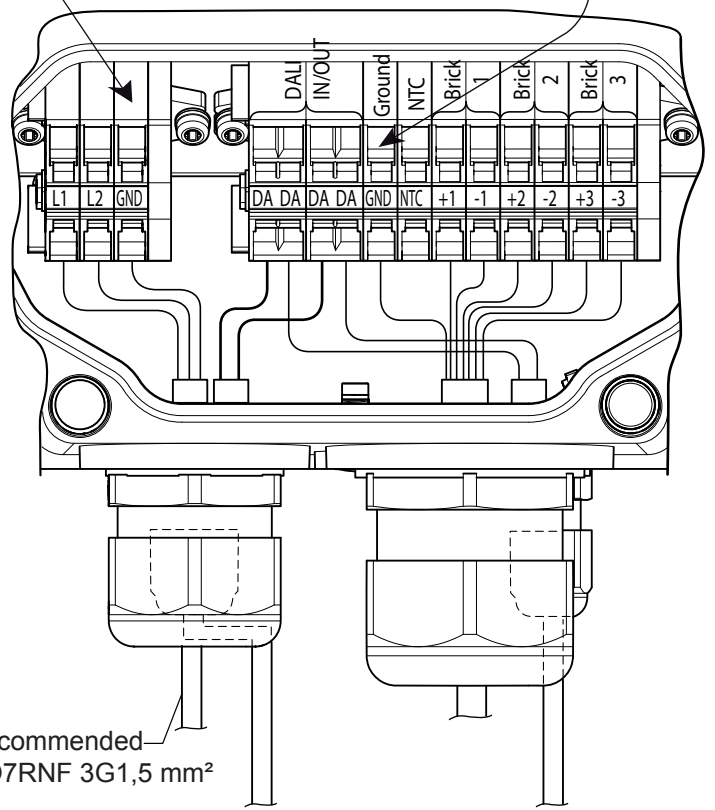
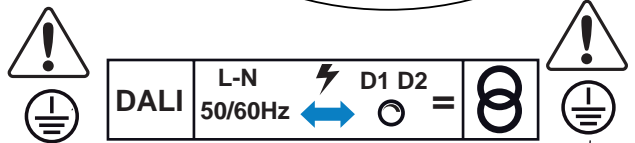
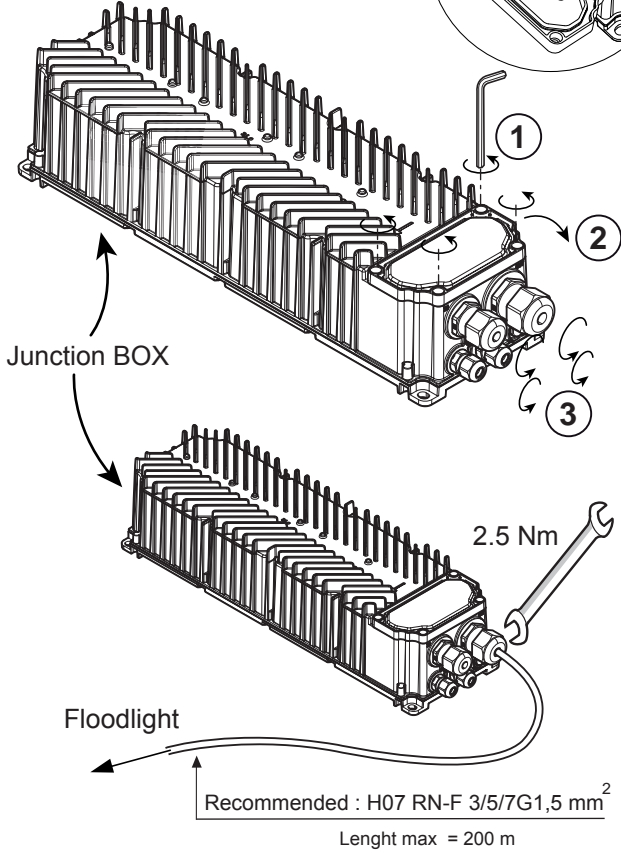
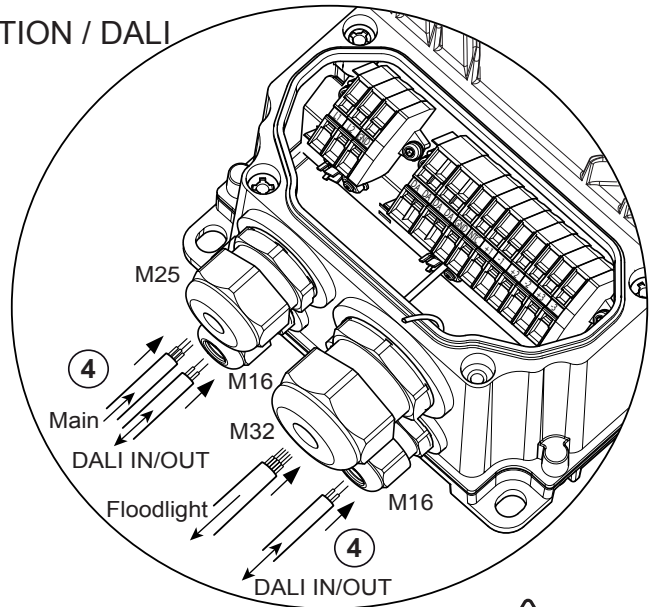
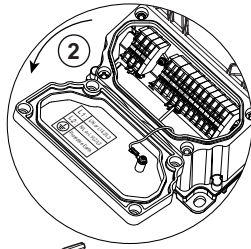
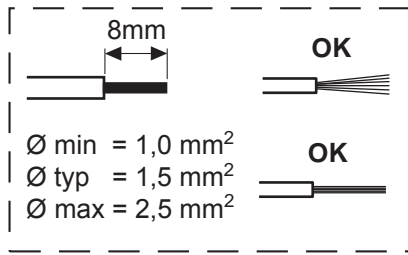


Choose right or left installation for connexion box

1x ALTIS 396L / 264L ELECTRICAL CONNEXION



23 ALTIS LED 264L/396L / ELECTRICAL CONNECTION / DALI



PINOUT		
	Label	Description
1	L1	L/N or L1/L2/L3
2	L2	N/L or L1/L2/L3
3	⊕	Protective Earth
4	DA	DALI 1 input/relaunch
5	DA	DALI 1 input/relaunch
6	DA	DALI 2 input/relaunch
7	DA	DALI 2 input/relaunch
8	⊕	Protective Earth
9	NTC	Thermal measure input
10	+1	LED1+ connection
11	-1	LED1- connection
12	+2	LED2+ connection
13	-2	LED2- connection
14	+3	LED3+ connection
15	-3	LED3- connection

SIGNALLING LED INDICATIONS ON THE GEAR BOX			
PERIOD	PULSES	FAULT DESCRIPTION	PRIORITY
The encoded faults are based on pulses emitted every 4 seconds	1	One or more CCR module enabled by config are not communicating with logic board	Maximum
	5	Firmware version of one or more CCR module is not compatible with logic board firmware version	
	2	One or more CCR's output is short-circuited	Minimum
	3	Load failure on one or more CCR's output	
	4	Thermal derating active (output current reduction)	

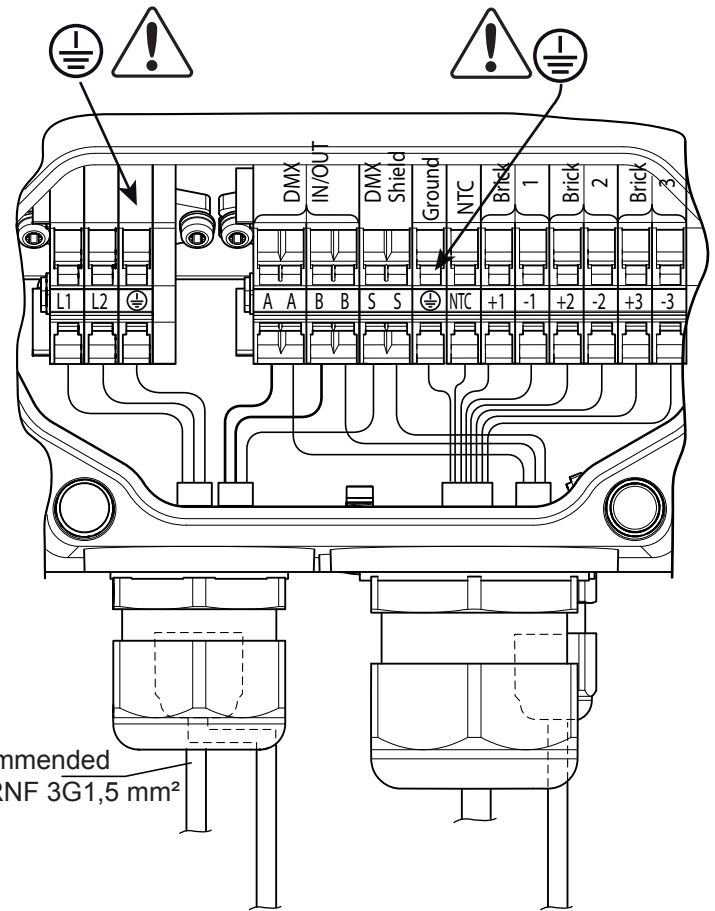
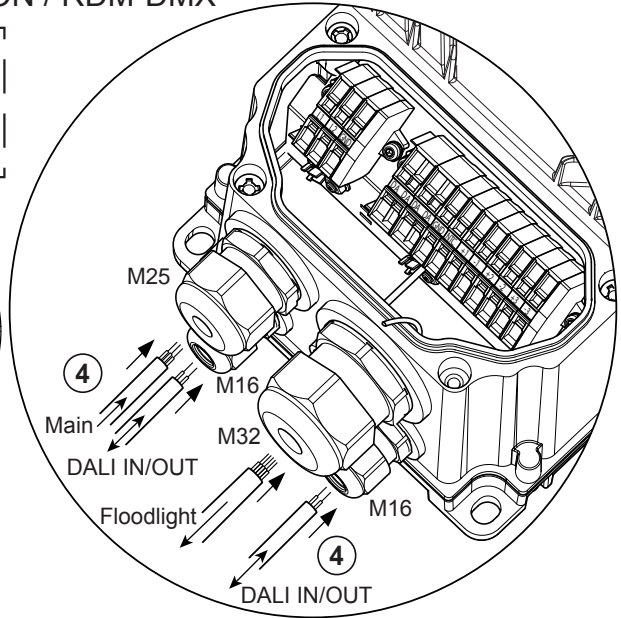
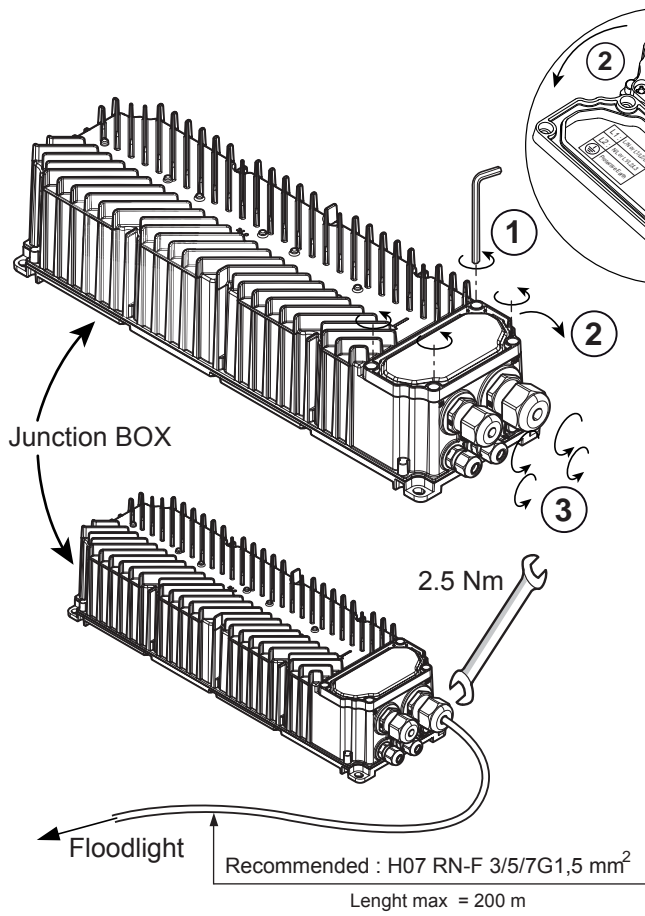
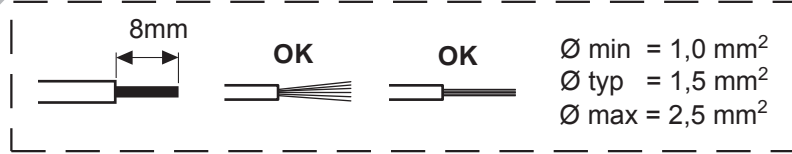
CABLE GLAND FOR 264L

Type	ØMin	ØMax
M16	5 mm	10 mm
M25	10 mm	17 mm
M32	8 mm	14 mm

CABLE GLAND FOR 396L

Type	ØMin	ØMax
M16	5 mm	10 mm
M25	10 mm	17 mm
M32	13 mm	21 mm

24 ALTIS LED 264L/396L / ELECTRICAL CONNECTION / RDM-DMX



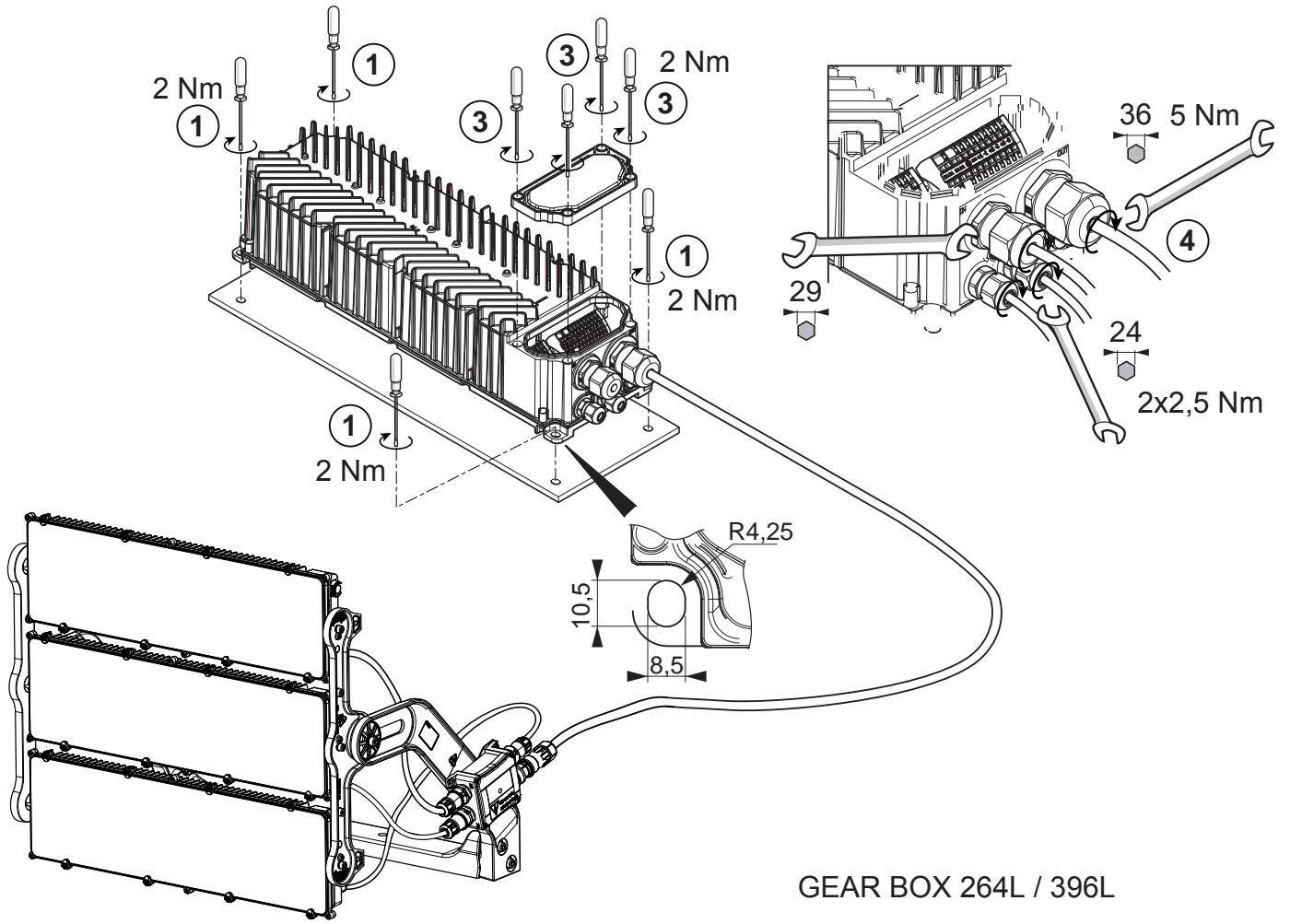
PINOUT		
Number	Label	Description
1	L1	L/N or L1/L2/L3
2	L2	N/L or L1/L2/L3
3	⊕	Protective Earth
4	A	DMX A input/relaunch
5	A	DMX A input/relaunch
6	B	DMX B input/relaunch
7	B	DMX B input/relaunch
8	S	DMX shield
9	S	DMX shield
10	⊕	Protective Earth
11	NTC	Thermal measure input
12	+1	LED1+ connection
13	-1	LED1- connection
14	+2	LED2+ connection
15	-2	LED2- connection
16	+3	LED3+ connection
17	-3	LED3- connection

SIGNALLING LED INDICATIONS ON THE GEAR BOX			
PERIOD	PULSES	FAULT DESCRIPTION	PRIORITY
The encoded faults are based on pulses emitted every 4 seconds	1	One or more CCR module enabled by config are not communicating with logic board	Maximum ↑ Minimum
	5	Firmware version of one or more CCR module is not compatible with logic board firmware version	
	2	One or more CCR's output is short-circuited	
	3	Load failure on one or more CCR's output	
	4	Thermal derating active (output current reduction)	

CABLE GLAND FOR 264L		
Type	ØMin	ØMax
M16	5 mm	10 mm
M25	10 mm	17 mm
M32	8 mm	14 mm

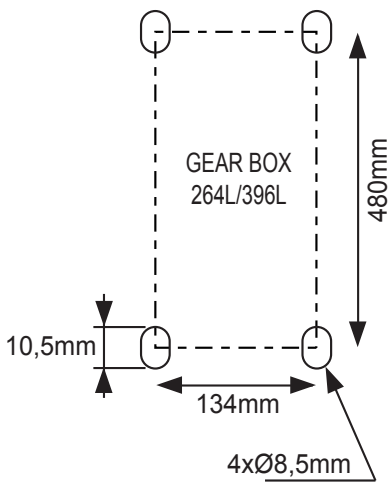
CABLE GLAND FOR 396L		
Type	ØMin	ØMax
M16	5 mm	10 mm
M25	10 mm	17 mm
M32	13 mm	21 mm

ALTIS GEAR BOX MOUNTING



GEAR BOX 264L / 396L

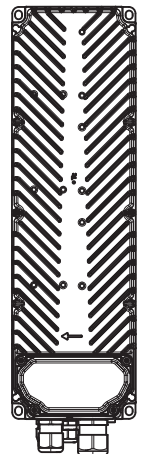
Drilling recommendation:



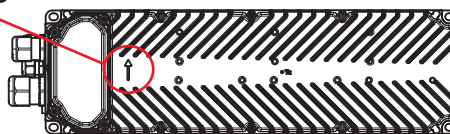
HORIZONTAL



or VERTICAL



LATERAL / SIDE



Forbidden position

ALTIS GEAR BOX

CIRCUIT BREAKER recommendation

It should mentioned in the notice that calculation has been done with a Circuit Breaker Load Factor of 100%.

GEAR BOX 396L / 120-277Vac models (designation : ALTISLEDG3 GB 396L...120-277Vac...)

When loaded with 3 ALTIS led modules :

V in Nominal	Inrush Current Data		# Drivers for each Circuit Breaker											
	I peak (A)	Half Value Time (µs)	Type B 10A	Type B 16A	Type B 20A	Type B 25A	Type C 10A	Type C 16A	Type C 20A	Type C 25A	Type D 10A	Type D 16A	Type D 20A	Type D 25A
120Vac	36	900	0	0	1	1	0	0	1	1	0	0	1	1
230Vac	61	850	0	1	1	1	1	1	2	2	1	1	2	3
277Vac	63	1750	0	1	1	1	1	2	2	3	1	2	2	3

V in Nominal	Inrush Current Data		# Drivers for each Circuit Breaker											
	I peak (A)	Half Value Time (µs)	Type B 32A	Type B 40A	Type B 50A	Type B 63A	Type C 32A	Type C 40A	Type C 50A	Type C 63A	Type D 32A	Type D 40A	Type D 50A	Type D 63A
120Vac	36	900	1	2	3	3	1	2	3	3	1	2	3	3
230Vac	61	850	2	2	3	4	3	4	5	7	3	4	6	7
277Vac	63	1750	2	2	3	4	3	4	6	7	4	5	6	7

When loaded with 2 ALTIS led modules :

V in Nominal	Inrush Current Data		# Drivers for each Circuit Breaker											
	I peak (A)	Half Value Time (µs)	Type B 32A	Type B 40A	Type B 50A	Type B 63A	Type C 32A	Type C 40A	Type C 50A	Type C 63A	Type D 32A	Type D 40A	Type D 50A	Type D 63A
120Vac	36	900	2	3	4	5	2	3	4	5	2	3	4	5
230Vac	61	850	2	2	3	4	3	4	5	7	5	7	9	11
277Vac	63	1750	2	2	3	4	3	4	6	7	6	7	9	11

When loaded with 1 ALTIS led module :

V in Nominal	Inrush Current Data		# Drivers for each Circuit Breaker											
	I peak (A)	Half Value Time (µs)	Type B 32A	Type B 40A	Type B 50A	Type B 63A	Type C 32A	Type C 40A	Type C 50A	Type C 63A	Type D 32A	Type D 40A	Type D 50A	Type D 63A
120Vac	36	900	4	5	6	7	6	7	9	11	6	7	9	11
230Vac	61	850	2	2	3	4	3	4	5	7	7	8	11	13
277Vac	63	1750	2	2	3	4	3	4	6	7	6	8	10	13

GEAR BOX 396L / 200-440Vac models (designation : ALTISLEDG3 GB 396L...200-440Vac...)

When loaded with 3 ALTIS led modules :

V in Nominal	Inrush Current Data		# Drivers for each Circuit Breaker											
	I peak (A)	Half Value Time (µs)	Type B 10A	Type B 16A	Type B 20A	Type B 25A	Type C 10A	Type C 16A	Type C 20A	Type C 25A	Type D 10A	Type D 16A	Type D 20A	Type D 25A
230Vac	40	2300	1	1	2	2	1	1	2	2	1	1	2	2
400Vac	68	1850	0	1	1	1	1	1	2	3	1	2	2	3

V in Nominal	Inrush Current Data		# Drivers for each Circuit Breaker											
	I peak (A)	Half Value Time (µs)	Type B 32A	Type B 40A	Type B 50A	Type B 63A	Type C 32A	Type C 40A	Type C 50A	Type C 63A	Type D 32A	Type D 40A	Type D 50A	Type D 63A
230Vac	40	2300	3	4	5	6	3	4	5	6	3	4	5	6
400Vac	68	1850	2	2	3	4	3	4	5	7	5	6	8	10

When loaded with 2 ALTIS led modules :

V in Nominal	Inrush Current Data		# Drivers for each Circuit Breaker											
	I peak (A)	Half Value Time (µs)	Type B 32A	Type B 40A	Type B 50A	Type B 63A	Type C 32A	Type C 40A	Type C 50A	Type C 63A	Type D 32A	Type D 40A	Type D 50A	Type D 63A
230Vac	40	2300	3	4	5	6	5	6	8	10	5	6	8	10
400Vac	68	1850	2	2	3	4	3	4	5	7	6	7	9	12

When loaded with 1 ALTIS led module :

V in Nominal	Inrush Current Data		# Drivers for each Circuit Breaker											
	I peak (A)	Half Value Time (µs)	Type B 32A	Type B 40A	Type B 50A	Type B 63A	Type C 32A	Type C 40A	Type C 50A	Type C 63A	Type D 32A	Type D 40A	Type D 50A	Type D 63A
230Vac	40	2300	3	4	5	6	5	6	8	10	10	13	16	21
400Vac	68	1850	2	2	3	4	3	4	5	7	6	7	9	12

GEAR BOX 264L / 200-440Vac models (designation : ALTISLEDG3 GB 264L...200-440Vac...)

When loaded with 2 ALTIS led modules :

V in Nominal	Inrush Current Data		# Drivers for each Circuit Breaker											
	I peak (A)	Half Value Time (µs)	Type B 10A	Type B 16A	Type B 20A	Type B 25A	Type C 10A	Type C 16A	Type C 20A	Type C 25A	Type D 10A	Type D 16A	Type D 20A	Type D 25A
230Vac	29	2000	1	1	2	2	1	2	3	4	1	2	3	4
400Vac	50	2000	0	1	1	1	1	1	2	3	2	3	4	5

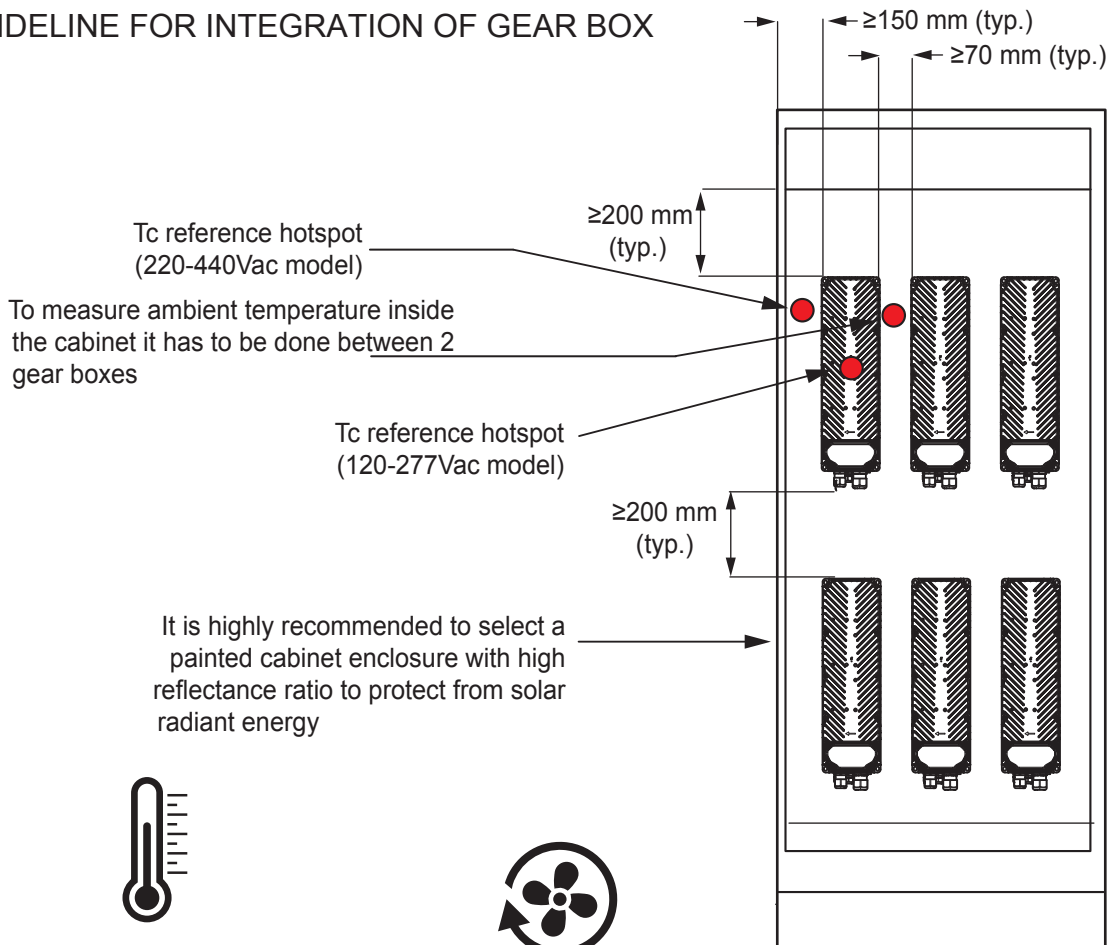
V in Nominal	Inrush Current Data		# Drivers for each Circuit Breaker											
	I peak (A)	Half Value Time (µs)	Type B 32A	Type B 40A	Type B 50A	Type B 63A	Type C 32A	Type C 40A	Type C 50A	Type C 63A	Type D 32A	Type D 40A	Type D 50A	Type D 63A
230Vac	29	2000	4	6	7	9	5	6	8	10	5	6	8	10
400Vac	50	2000	2	3	4	5	5	7	9	11	8	10	13	17

When loaded with 1 ALTIS led module :

V in Nominal	Inrush Current Data		# Drivers for each Circuit Breaker											
	I peak (A)	Half Value Time (µs)	Type B 32A	Type B 40A	Type B 50A	Type B 63A	Type C 32A	Type C 40A	Type C 50A	Type C 63A	Type D 32A	Type D 40A	Type D 50A	Type D 63A
230Vac	29	2000	4	6	7	9	7	9	12	15	10	12	16	20
400Vac	50	2000	2	3	4	5	5	7	9	11	8	10	13	17

27

GUIDELINE FOR INTEGRATION OF GEAR BOX



If you cannot follow instructions included in previous section regarding gear box integration, you have to measure Tc reference point taking into consideration that measures must be down to Tc_max

396L (1500W - 120-277Vac)

Tc Reference at Max Ambient			
Position	Horizontal	Vertical	Side
Mounting			
120Vac	70°C	65°C	70°C
230Vac	60°C	60°C	60°C
277Vac	55°C	55°C	55°C
Ambient Max	45°C	45°C	45°C

396L (1500W - 220-400Vac)

Tc Reference at Max Ambient			
Position	Horizontal	Vertical	Side
Mounting			
230Vac	83°C	84°C	82°C
400Vac	66°C	68°C	66°C
Ambient Max	45°C	45°C	45°C

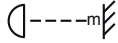
264L (1000W - 220-400Vac)

Tc Reference at Max Ambient			
Position	Horizontal	Vertical	Side
Mounting			
230Vac	76°C	75°C	76°C
400Vac	64°C	62°C	63°C
Ambient Max	45°C	45°C	45°C

FRANCAIS

-Remplacer toute protection fissurée.
-Les luminaires classe II doivent être installés de façon à ce que la partie métallique ne soit pas en contact avec l'installation électrique connectée à la terre.

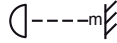
ATTENTION: Les luminaires classe I doivent être reliés à la terre.
-Ce luminaire fonctionne à une tension nominale qui doit être coupée avant toute intervention sur l'appareillage.
-Toute modification de cet appareil est interdite.
-Respecter la distance minimale par rapport aux objets éclairés définie par ce sigle.



SVERIGE

-Ersätta alla spräckta skyddspåtar.
-Klass II armaturer måste installeras så att nakna metalldelar i armaturen inte är i kontakt med någon elektrisk installation, kopplad till en skyddledare.

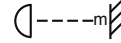
VARNING: Klass I armaturer måste vara jordade.
-Denna armatur fungerar med högspänning som måste vara fränslagen före ingripande i driftdonen.
-Alla ändringar i denna armatur är förbjuden.



ITALIANO

-Sostituire sempre tutte le protezioni danneggiate.
-Gli apparecchi in classe II devono essere installati in modo che le parti metalliche non siano in contatto con apparati elettrici collegati a terra.

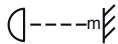
ATTENZIONE: Gli apparecchi in class I devono essere collegati a terra.
-Questo apparecchio funziona a tensione nominale, questa deve essere interrotta prima di ogni intervento sul gruppo di alimentazione.
-Ogni modifica dell' apparecchio è proibita.



ENGLISH

-Replace any cracked protective shield.
-Class II luminaires must be installed so that exposed metal work of the luminaire is not in contact with any part of the electrical installation connected to a protective conductor.

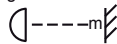
WARNING: Class I luminaires must be earthed.
-This luminaire operates at mains voltage which must be switched off before intervention in control gear.
-Any modification to this luminaire is forbidden.
-Lighted objects nearer than the minimal distance in the is forbidden.



DEUTSCH

-Ersetze jede gebrochene Schutzscheibe.
-Schutzklasse II Leuchten müssen so installiert werden, daß berührbare Metallteile nicht mit einem, an dem Schutzleiter angeschlossenen Teil der elektrischen Installation in Kontakt kommen können.

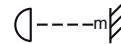
ACHTUNG: Schutzklasse I Leuchten müssen geerdet sein.
-Diese Leuchte wird mit Netzspannung betrieben. Bevor Eingriffe am Vorschaltgerät vorgenommen werden sowie vor Wartung und Installation, ist die Versorgungsspannung abzuschalten.
-Jede Änderung an dieser Leuchte ist verboten.



SUOMI

-Rikkoontunut suojalasi vaihdettava välittömästi uutsen vastaavaan.
-Asennettaessa suojausluokan II valaisinta on peruseristetyin johdon ja kosketeltävien metalliosien välinen kosketus tehokkaasti eristettävä.

VAROITUS: Suojausluokan I valaisin täytyy maadoittaa.
-Verkköjännite on kytkettävä pois ennen valaisimen huoltotoimenpiteitä.
-Valaisimen rakennetta ei saa muuttaa.



Thorn Lighting is constantly developing and improving its products. The right is reserved to change specifications without prior notification or public announcement.

© Thorn Lighting