

Part number

MIO 16.40



Hood, C-TYPE series, with 4 pegs, M40 side cable entry, size "77.27", high construction, inclined

Product description

Product type	Hood
Series	C-TYPE
Closing type	With 4 pegs
Size	Size 77.27
Cable entry	Side cable entry M40
Specification	High construction, inclined

Technical data

IP degree of protection	IP65 / IP66 / IP69
--------------------------------	--------------------

Further technical details

Weight	295,00 g
Operating temperature range (min, max)	-40°C...+125°C

Material properties

Main material	Aluminium die-cast
Colour	RAL 7040 grey
RoHs conformity	Compliant
China RoHs - EFUP	E
REACH SVHC substances	No

Approvals / Standards

Certifications	DNV, BV
UL	ECBT2
cUL	ECBT8

General ordering information

EAN13 code	8015747179850
eCl@ss 8.1	27440202
ETIM 7.0	EC000437

Packaging Information

Packaging length	340,00 mm
Packaging height	135,00 mm
Packaging width	200,00 mm
Packaging weight	2,95 kg
Packaging volume	9,18 dm ³
Packaging description	Carton box
Packaging quantity	10 Pcs
Packaging EAN code	8015747213158
Sub-packaging weight	1,48 kg
Sub-packaging description	Plastic packaging
Sub-packaging quantity	5 Pcs
Sub-packaging EAN barcode	8015747213165

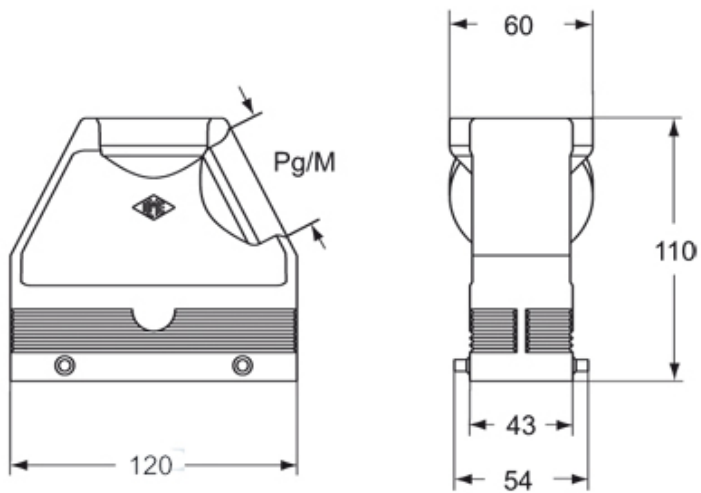
Part number

MIO 16.40



Catalogue drawings

CIO MIO



Notes

Dimensions shown in mm are not binding and may be changed without notice.
