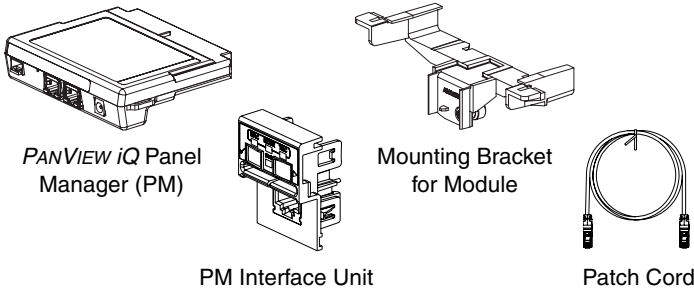
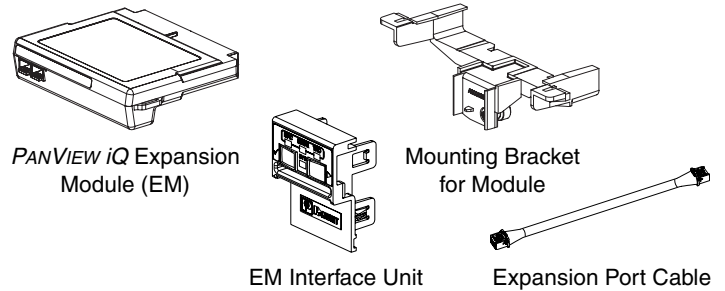


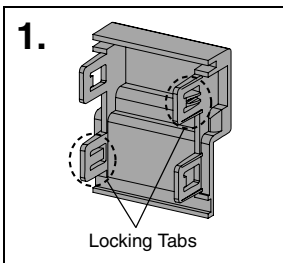
### Hardware Components (included with PM)



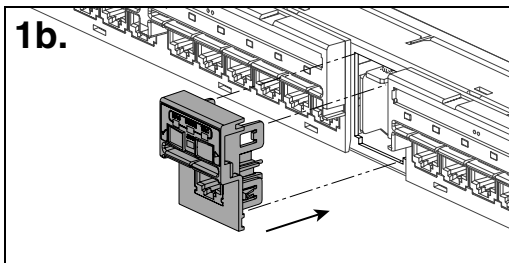
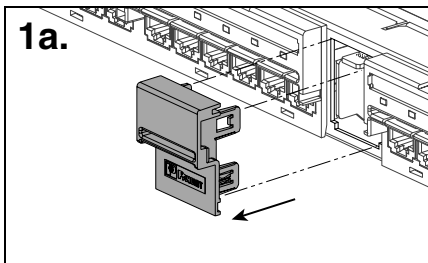
### Hardware Components (included with EM)



### Installing the Interface Unit



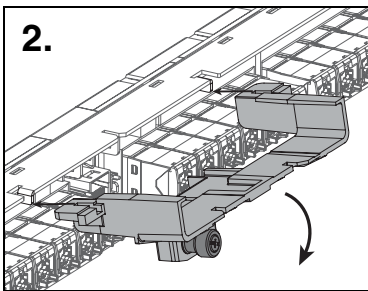
To remove any Interface Unit, depress the locking tabs from the rear of the panel (upper right & lower left) and gently push the unit forward.



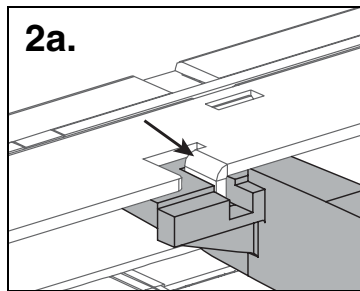
Insert the new PM or EM Interface Unit into the front center of the patch panel, gently pushing it into the open slot until it snaps into place. Care must be taken to avoid disruption of cabling or electronics.

**NOTE:**  
Be sure to match the proper Interface Unit included with each module (i.e. PM Interface Unit with PM module)

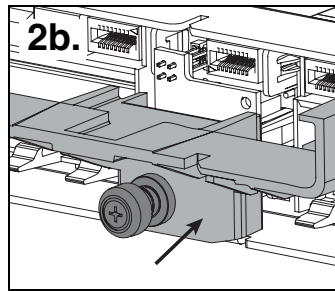
### Mounting Bracket Installation



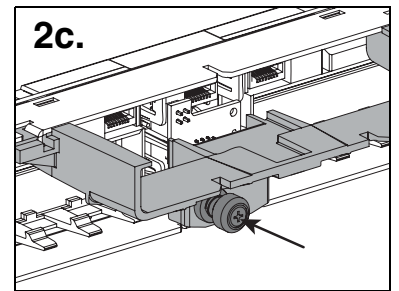
Locate and tilt the mounting bracket downward into the center of the PViQ Patch Panel.



Pivot bracket until the tabs on the patch panel rest inside the slots of the mounting bracket.

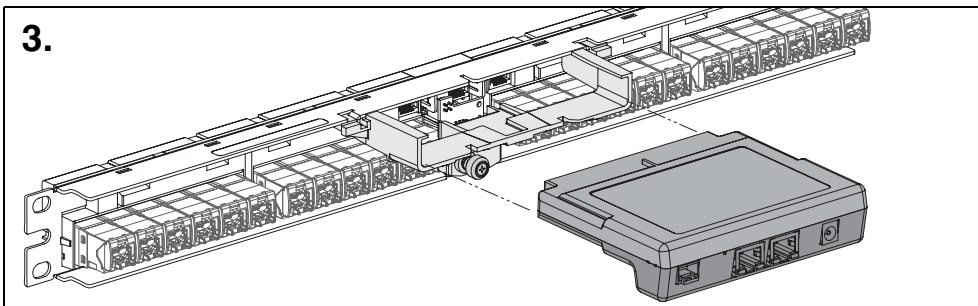


Next apply forward and upward pressure until bracket slides into the catch on the patch panel.

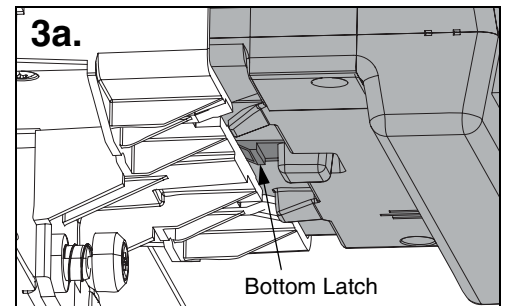


Secure the bracket to the patch panel using a phillips-head screwdriver to push in and turn the securing screw.

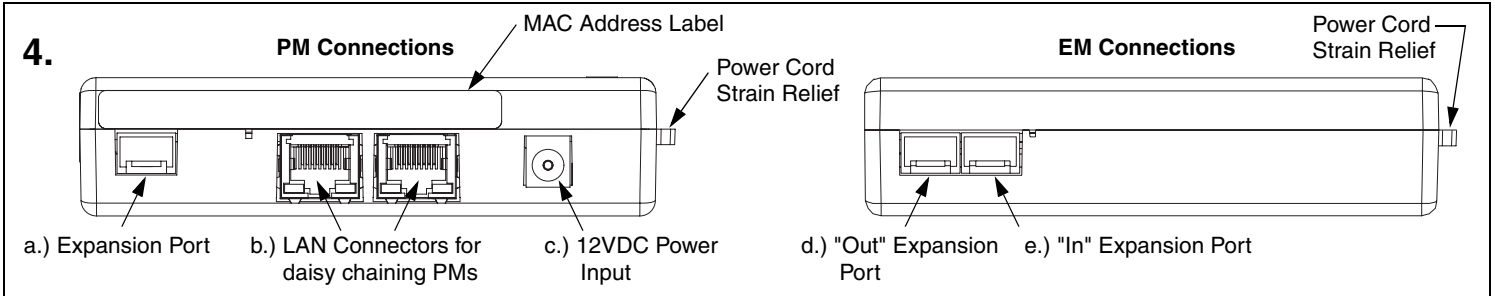
### Installing the Panel Manager (PM) or Expansion Module (EM)



Slide the PM or EM into the mounting bracket until the latch on the bottom of the PM or EM snaps into the mounting bracket. When properly inserted, you will hear an audible click.



Understanding PM and EM Connections

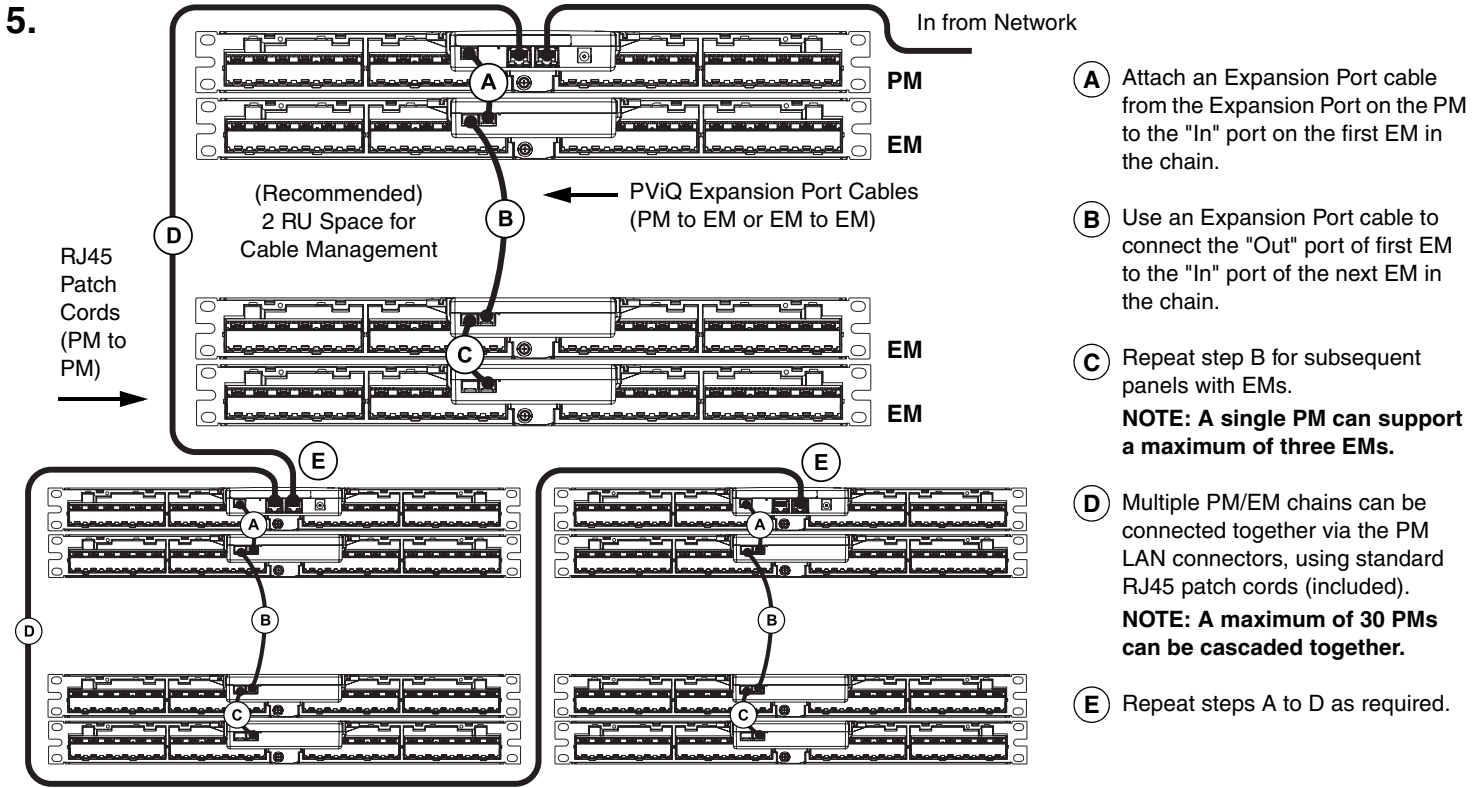


**PM Connections** - The PM module includes: a.) Expansion Port which is used to connect the PM to the first EM in a chain; b.) LAN Connectors that connect the PMs to the LAN (either port may be used for connecting to LAN or subsequent PMs); c.) 12VDC power input supplied by power supply (*PANDUIT* Part# PVQ-PS12VDC-\*, sold separately).

**EM Connections** - The EM module includes expansion ports which are used to connect the EMs to the PM or subsequent EMs. d.) The "Out" port connects to downstream EMs. e.) The "In" port connects to either the PM or upstream EMs.

\* Denotes regional power supply.

PM and EM Connection Configuration - (Back View of Installation)



- A** Attach an Expansion Port cable from the Expansion Port on the PM to the "In" port on the first EM in the chain.
- B** Use an Expansion Port cable to connect the "Out" port of first EM to the "In" port of the next EM in the chain.
- C** Repeat step B for subsequent panels with EMs.  
**NOTE: A single PM can support a maximum of three EMs.**
- D** Multiple PM/EM chains can be connected together via the PM LAN connectors, using standard RJ45 patch cords (included).  
**NOTE: A maximum of 30 PMs can be cascaded together.**
- E** Repeat steps A to D as required.

**WARNINGS:**

If a non-*PANDUIT* power source is used, it must:

- Provide over current protection appropriate to the size of the power wiring connected to the *PViQ* System.
- Provide an isolated (SELV) source per National requirements.
- Be certified for use with ITE equipment per National requirements.
- Provide a nominal 12VDC source to the PM (min. 11.4VDC and max 12.6VDC).
- Provide a 12VDC output which is electrically isolated from earth ground (minimum 1500 V isolation).
- Have an output power rating of minimum 30W, which is sufficient for powering *PViQ* System and associated loads.

**ATTENTION:**

Observe precautions for handling electrostatic sensitive electronic devices when installing this product. Ensure that you are properly grounded with a wrist strap or equivalent while installing PM or EM modules.

**PViQ European Emissions Warning:**

Product is not intended for use in a residential environment. Use of this product in residential areas may cause electromagnetic interference.

**Notes:**

1. Never touch un-insulated communications wiring or terminals unless the communication line has been disconnected at the network interface.
2. Only trained and qualified service personnel should install or service *PViQ* Systems.
3. Before installing or servicing *PViQ* or communication wiring, be aware of the potential for electrostatic discharge (ESD).

For Instructions in Local Languages and Technical Support:

[www.panduit.com/resources/install\\_maintain.asp](http://www.panduit.com/resources/install_maintain.asp)



[www.panduit.com](http://www.panduit.com)

E-mail: [cs@panduit.com](mailto:cs@panduit.com)

Fax: (708) 444-6993