

Product designation				Rotary cam switches	
Product type designation				GN315	
General characteristics					
Switching diagram				75 - Changeover switch 4 poles	
N° of elements				4	
Mounting form				U - Front mounting with black handle	
Contact characteristics					
Rated insulation voltage U_i	IEC/EN	V	690		
	UL/CSA	V	600		
Rated impulse withstand voltage U_{imp}			kV	8	
Conventional free air thermal current I_{th}	IEC/EN	A	315		
	UL/CSA	A	255		
Rated operational voltage			V	690	
Rated operational impulse voltage			kV	6	
Maximum fuse size for short-circuit protection I_n (gG)	10kA	A	315		
	15kA	A	315		
Rated short time current I_{cw}			1s	A	
				5200	
Operational current I_e IEC/EN AC1/AC21A			A	315	
Rated operational power in AC Three-phase AC-3	220/230V	kW	37		
	380/440V	kW	55		
	500/690V	kW	69		
	Single-phase AC-3	110V	kW	11	
		220/230V	kW	22	
380/440V		kW	30		
Rated operational current in DC DC21A	48V	A	200		
	60V	A	200		
	110V	A	35		
	220V	A	2.5		
	440V	A	0.9		
Power dissipation				W	
Mechanical features					
Terminals screw				M10	
Tightening torque for terminals max				Nm	
Conductor size	AWG - Rigid cable				
	Max	AWG	1XMCM350		
AWG - Flexible cable			Max	AWG	
				1XMCM350	

Conductor size (IEC) - Flexible cable	Max	mm ²	1X185
---------------------------------------	-----	-----------------	-------

Conductor size (IEC) - Rigid cable	Max	mm ²	1X185
------------------------------------	-----	-----------------	-------

Mechanical life		cycles	2X10 ⁵
-----------------	--	--------	-------------------

UL technical data

Motor power for direct-on-line control for three-phase motor	120V	HP	30
	240V	HP	50
	480V	HP	100
	600V	HP	75

for single-phase motor	120V	HP	15
	240V	HP	30

Ambient conditions

Temperature			
Operating temperature	min	°C	-25
	max	°C	+55

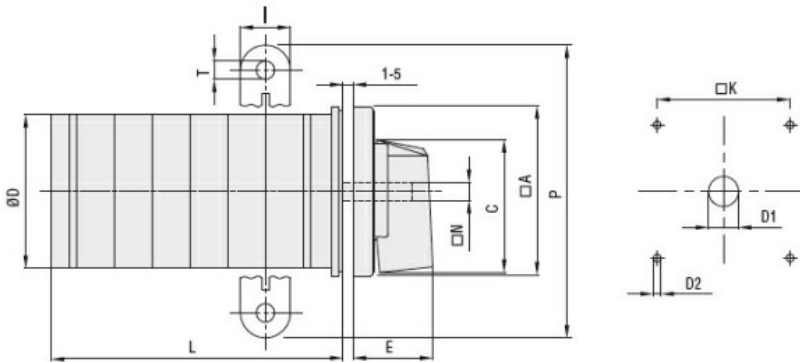
Storage temperature	min	°C	-40
	max	°C	+70

Resistance & Protection

Frontal IP degree	IP40
-------------------	------

Terminals IP degree	IP00
---------------------	------

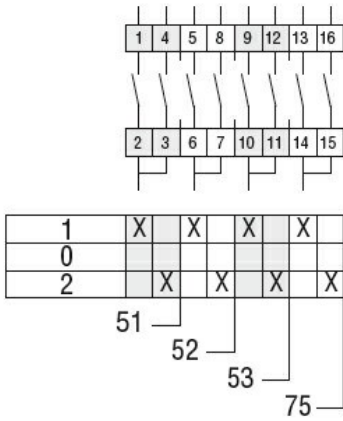
Dimensions



Series	Dimensions											L Number of elements ①											
	□A	C	ØD	ØD1	ØD2	E	I	□K	□N	P	ØT	1	2	3	4	5	6	7	8	9	10	11	12
GN200	132	104	120	16	5.3	56	20	104	10	140	10.5	77	107	136	166	196	226	284	314	343	373	402	432
GN315	132	104	120	16	5.3	56	20	104	10	145	10.5	77	107	136	166	196	226	284	314	343	373	402	432

① For devices with 6 or more elements please consult Technical support, see contact details on inside front cover.

Wiring diagrams



Certifications and compliance

Compliance

IEC/EN/BS 60947-1
IEC/EN/BS 60947-3
IEC/EN/BS 60947-5-1
UL60947-4-1

Certificates

UR

ETIM classification

ETIM 8.0

EC001029 -
Selector switch,
complete