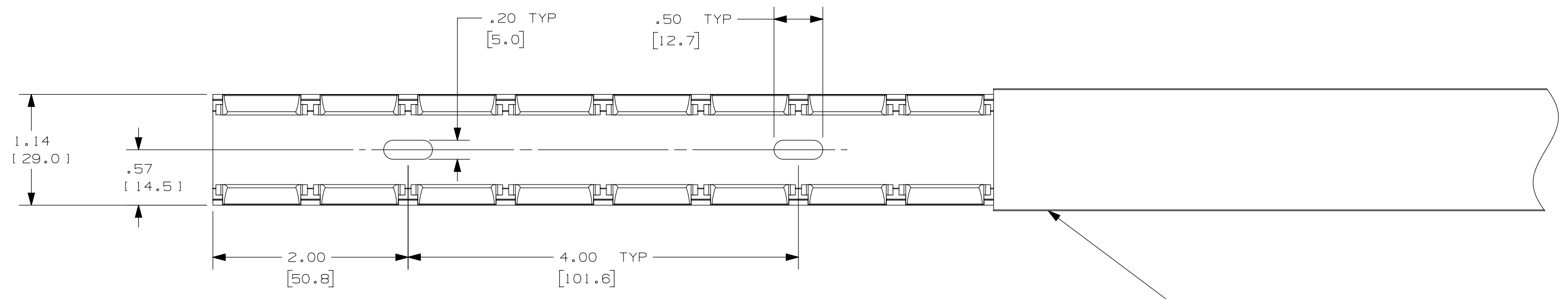


4

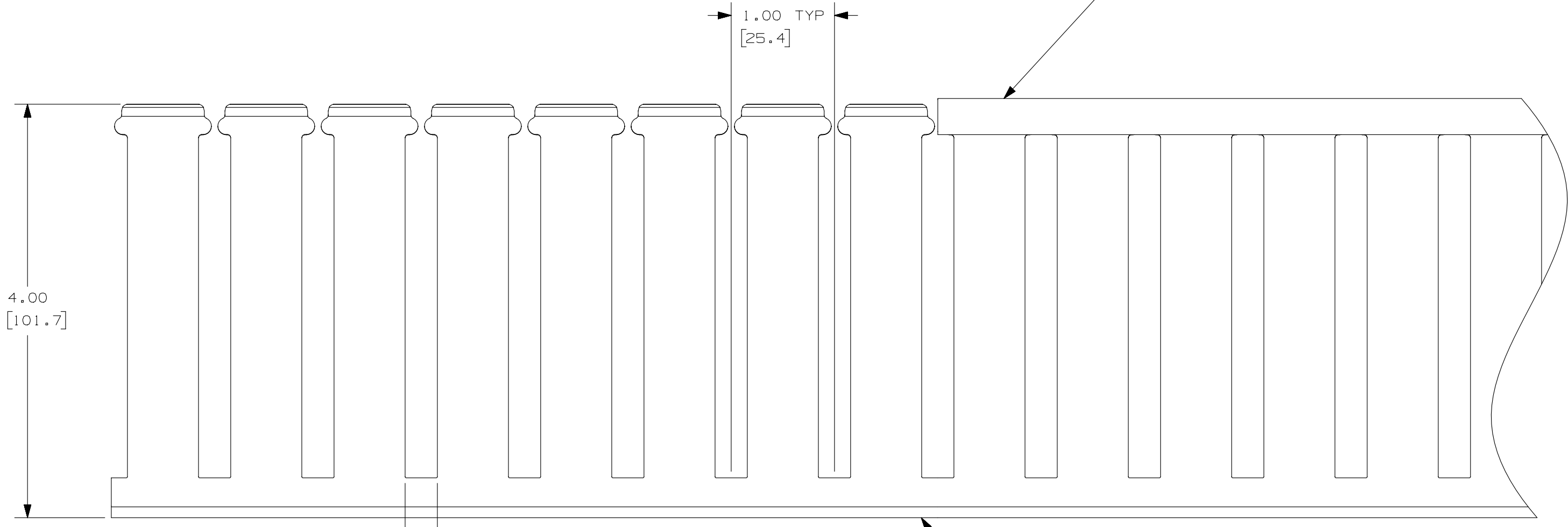
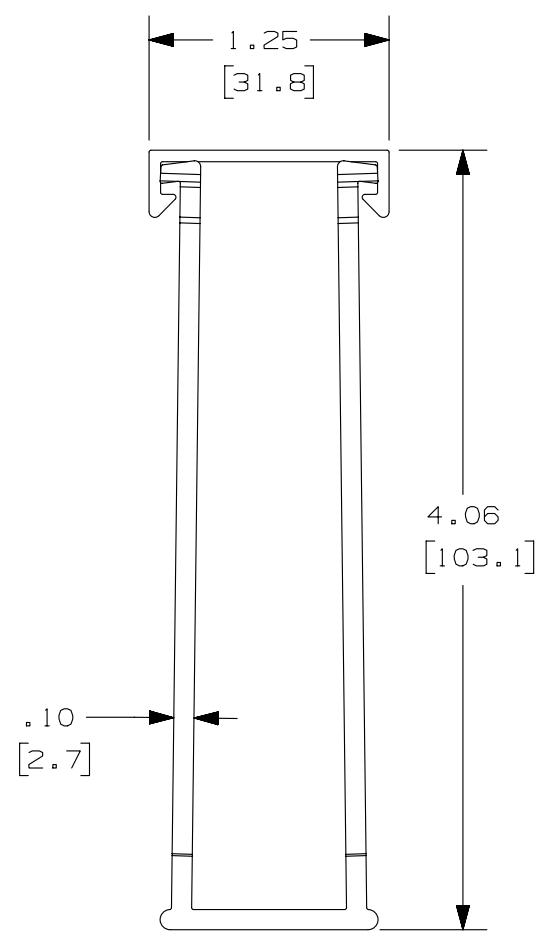
3

2

1



COVER - - PART NUMBER  
NC1\*\*6



DUCT - - PART NUMBER  
NE1X4\*\*6

- NOTE.
1. ALL DIMENSIONS ARE REFERENCE ONLY.
  2. DIMENSIONS IN PARENTHESES ARE METRIC.
  3. DUCT AND COVER ARE AVAILABLE IN 6 FT (1828.8) LENGTHS.
  4. THE \*\* DENOTE COLOR.

REV	DATE	BY	CHK	APR	DESCRIPTION	ECN
4	03-14-13	JBN	RTFI	RTFI	J. UPDATED DRAWING BORDER & TITLE BLOCK	36897-945

TITLE <b>WIRING DUCT - TYPE NE WITH COVER 1 X 4</b>		MARKETING DRAWING	
ITEM REVISION NAME D11000RN/02	UNLESS OTHERWISE SPECIFIED, DIMENSIONAL TOLERANCES ARE: 1N (mm)		
DATASET FILE NAME D11000RN_DC/02B	.X ± .XXX ± .XX ± ANGLES ±		
THIRD ANGLE PROJECTION		MATERIAL: <b>HALOGEN FREE MODIFIED PPO</b>	
DRAWN BY DATE JHNU 10-16-03		CHK JGG	SCALE FULL
DRAWING NUMBER: 36897-945		SIZE SHT 1 OF 1 C	

4

3

2

1

D101000C/12