

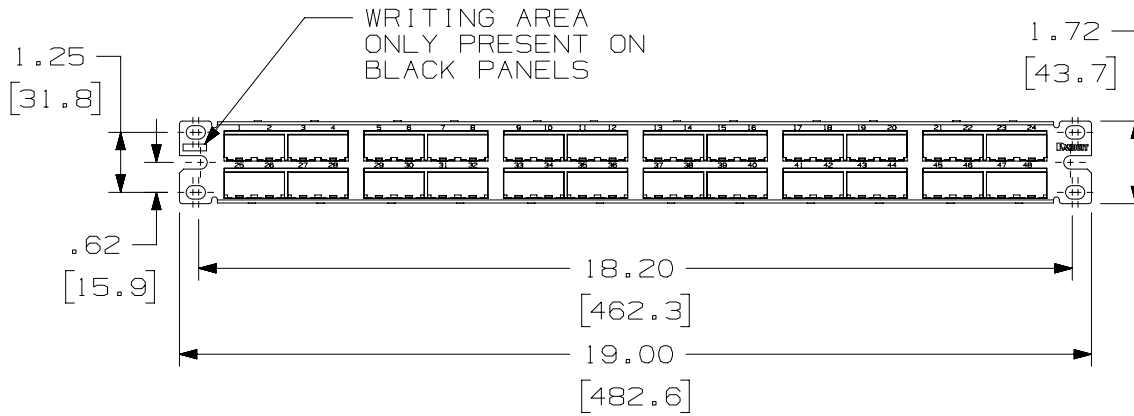
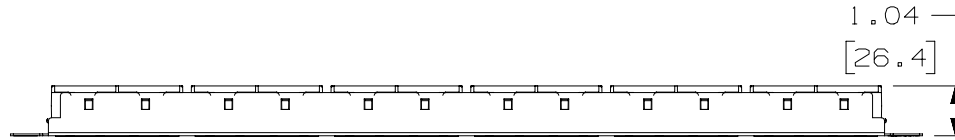
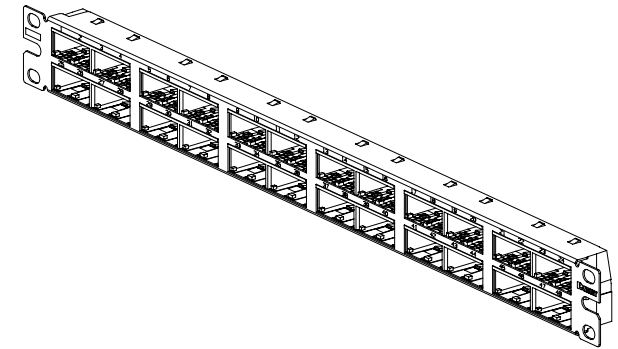
THIS COPY IS PROVIDED ON A RESTRICTED BASIS AND IS NOT TO BE USED IN ANY WAY DETRIMENTAL TO THE INTERESTS OF PANDUIT CORP.

PANDUIT P/N	WEIGHT
CP48HDBL	6.15 LB/10 PCS (2788.0 g/10 PCS)
CP48HDWH	6.15 LB/10 PCS (2788.0 g/10 PCS)



NOTES:

- SEE CURRENT CATALOG FOR VARIOUS APPLICATIONS WITH THIS WIRING SYSTEM
- THE HIGH DENSITY PATCH PANEL IS DESIGNED FOR MOUNTING TO 19" UNIVERSAL RACKS.
- PACKAGE CONTAINS:
  - (1) 48 PORT STAMPING
  - (6) 8 POSITION FACEPLATES (ASSEMBLED TO PANEL)
  - (6) GROUNDING STRIPS (ASSEMBLED TO PANEL)
- DIMENSION IN [ ] ARE IN METRIC.



PART NUMBER CP48HDBL/CP48HDWH	PRODUCT SPEC/PKG SPEC N/A
I.T. NUMBER N/A	WORK INSTRUCTION N/A

TITLE MINI-COM 48 PORT HIGH DENSITY SHIELDED MODULAR PATCH PANEL CUSTOMER DRAWING	
ITEM REVISION NAME 11M249AQ/02.PRT	<b>PANDUIT</b> <sup>TM</sup>
DATASET FILE NAME 11M249AQ_DC/02B.PRT	

UNLESS OTHERWISE SPECIFIED, DIMENSIONAL TOLERANCES ARE: IN [mm]		MATERIAL: STAMPING-18 GAUGE STAINLESS STEEL GROUNDING STRIP- PHOS BRONZE FACEPLATE-ABS
.x ± .xx ± .03 [ .8 ]	.xxx ± .010 [ .3 ] ANGLES ±	
THIRD ANGLE PROJECTION		DRAWING NUMBER: 11M249AQ-02

REV	DATE	BY	CHK	APR	DESCRIPTION	ECN
2	2-18-20	BAME	KRKE	MMR	B. ADDED P/N CP48HDWH	M09000LF
1	11-13-18	BAME	KRKE	MMR	A. REMOVED METRIC MOUNTING SCREWS	11M249AQ-02
R	11-26-12	BJN	JSP	JSP	RELEASED TO PRODUCTION	11M249AQ-02

REV	DATE	BY	CHK	APR	DESCRIPTION	ECN

DRAWN BY BJN	DATE 11-26-12	CHK JSP	SCALE NONE	SHT 1 OF 1	SIZE A
-----------------	------------------	------------	---------------	------------	-----------