



Product designation	Earth leakage relays		
Product type designation	RM1		
<b>General characteristics</b>			
Description	Modular with transparent cover, 1 operating threshold		
N° of operating threshold	1		
<b>Control circuit</b>			
Toroidal transformer	External		
<b>Adjustments</b>			
	Tripping set-point ( $I\Delta n$ )	(x1)	A 0.3 or 0.5
	Tripping delay time	(tx1)	s 0.02 or 0.5
Resetting	Configurable automatic or manual by button on front		
Test Button	Yes		
Shunt circuit control	No		
<b>Auxiliary supply</b>			
Auxiliary rated supply voltage $U_s$	110... 125VAC/DC; 220... 240/380... 415VAC		
Operational limits	110... 125VAC/DC or 220...240VAC or 380...415VAC		
Output contacts	1		
Rated frequency	Hz	50...60	
Power consumption Max	VA	3	
<b>Relay outputs</b>			
Relay state	Normally de-energised		
Contact arrangement	1 changeover SPDT (trip)		
Rated contact capacity IEC $I_{th}$	5A - 250VAC		
<b>Insulations</b>			
Power frequency withstand voltage	kV	2.5kV for 60s	
<b>Indications</b>			
Auxiliary voltage available (ON)	Green LED		
Relay tripping (TRIP)	Red LED		
<b>Connections</b>			

Terminals type	Fixed		
Tightening torque for terminals	max	Nm	0.5
	max	lbin	4.5
Conductor section			
AWG/Kcmil	min	24	
	max	12	
IEC	min	mm <sup>2</sup>	0.2
	max	mm <sup>2</sup>	2.5

**Operations**

Mechanical life	cycles	50000000
Electrical life	cycles	300000

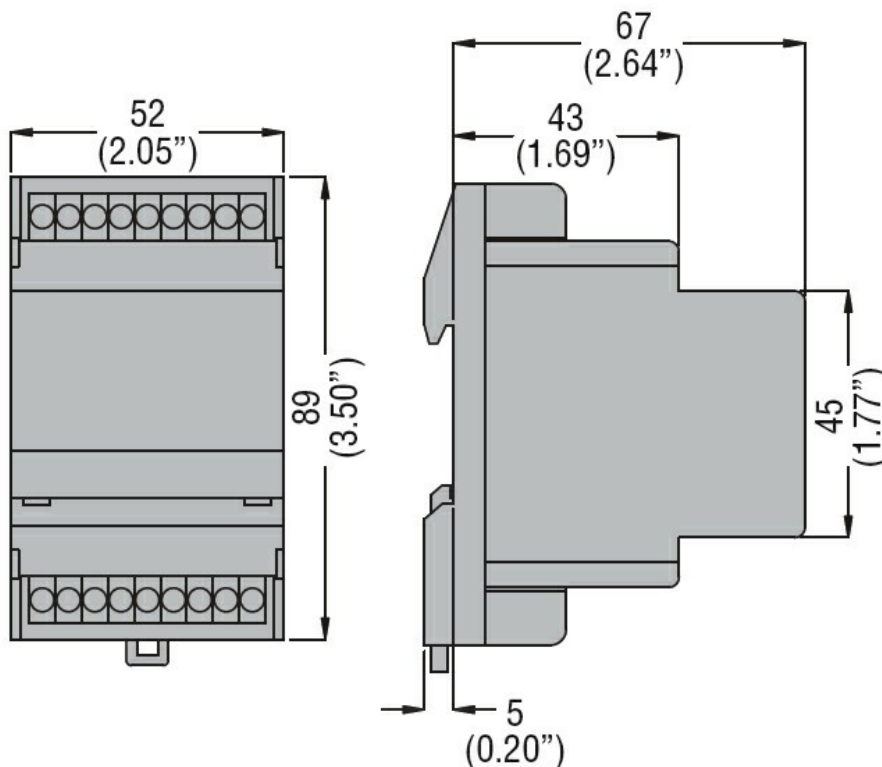
**Ambient conditions**

Temperature			
Operating temperature	min	°C	-10
	max	°C	+60
Storage temperature	min	°C	-20
	max	°C	+80
Relative humidity		%	≤90%

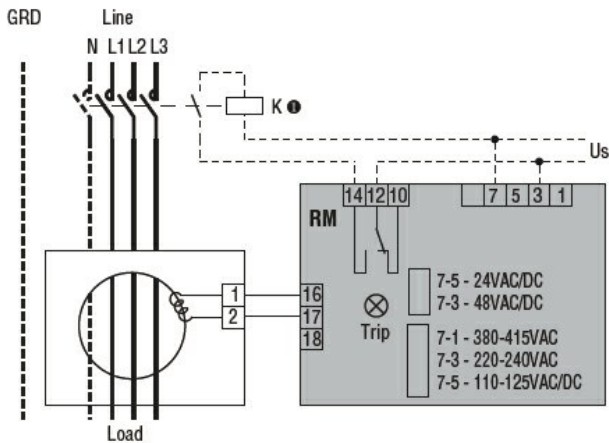
**Housing**

Material	Self-extinguishing polycarbonate		
Mounting	35mm DIN rail		
Degree of protection	IP20 terminals		
Dimensions (W x H x D)	mm	52x89x72	
Weight	g	175	

**Dimensions**



**Wiring diagrams**



**Certifications and compliance**

Compliant with standards

IEC/EN 60947-2

Certificates

EAC

**ETIM classification**

ETIM 8.0

EC001445 -  
Residual current  
monitoring relay