



Handles for  
switch  
disconnecter  
GAX6

Product designation

Product type designation

**Mechanical features**

Weight g 73

**UL technical data**

UL Standard UL60947-4-1

**Ambient conditions**

Operating temperature

	min	°C	-25
	max	°C	+55

Storage temperature

	min	°C	-40
	max	°C	+70

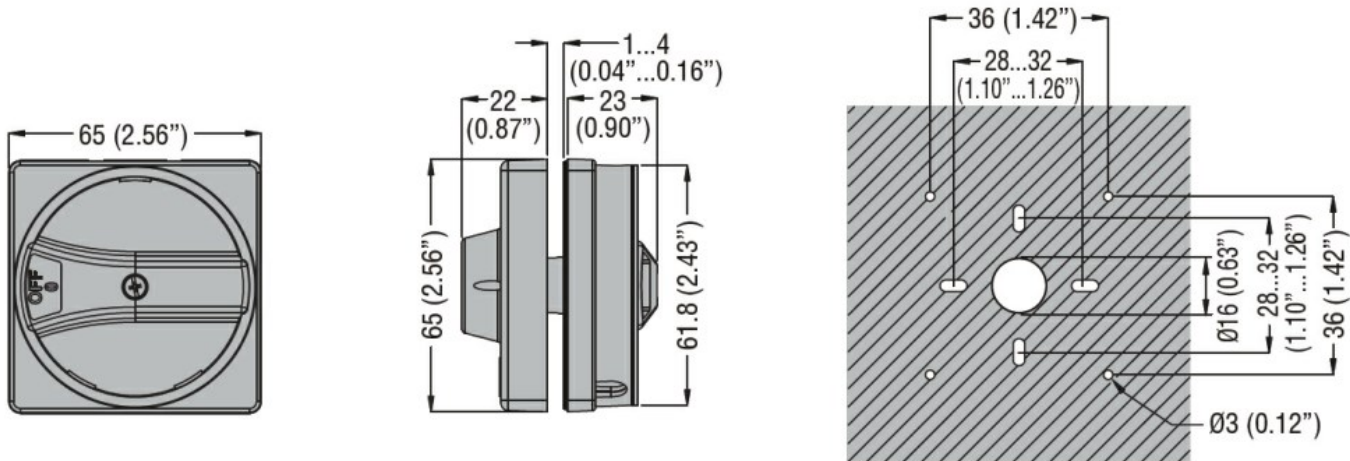
Max altitude m 3000

**Resistance & Protection**

Frontal IP degree IP65

Pollution degree 3

**Dimensions**



**Certifications and compliance**

Compliance

CSA C22.2

IEC/EN 60947-1

IEC/EN 60947-3

UL508

UL98

Certifications

cULus according to UL508 /CSA C22.2 n°14

cULus according to UL98 / CSA C22.2 n°4

EAC

ETIM classification

ETIM 8.0

EC000230 -  
Door coupling  
handle for  
switchgear