

NOTES:

RATED VOLTAGE: MAX. 63V AC/DC
 RATED CURRENT: MAX. 16A at 40°C (derating has to be considered)
 IP RATING: IP67 (mated and locked condition)
 TEMPERATURE RANGE: -25°C TO +85°C

CABLE PRINTING (sequence as shown below):

- MOLEX engineering no. (see page 2)
- MOLEX material no. (see page 2)
- MOLEX MAX. 63V AC/DC MAX. 16 A USL
- MOLEX AND DATE OF MANUFACTURING (YY=YEAR; WW=WEEK): MXYWW
- Not for current interrupting
- PROFINET 24V Power 4x2,5 + FE

PART ACCORDING PRODUCT SPEC: 1205010169
 PACKAGING ACCORDING PACKAGING SPEC: 1201202000

TABLE 1

POS	DESCRIPTION	MATERIAL	FINISH
1	NUT M12 FE	BRASS	Ni
2	NUT M12 MA	BRASS	Ni
3	CONTACT 15 MA	BRASS	Au
4	CONTACT 15 FE	BRASS	Au
5	INSERT FEMALE	PA	GREY
6	INSERT MALE	PA	GREY
7	OVERMOLD	TPE	BLACK
8	CABLE 5x2.5 D11.3 WSOR	PUR	GREY
9	GASKET OR 8.2X1.25	FKM	BLACK
OPTIONAL 10	ID CARRIER	-	-

FUNCTIONAL SYMBOLS $\nabla_A = 0$ $\nabla_E = 0$ $\nabla_V = 0$	THIS DRAWING CONTAINS INFORMATION THAT IS PROPRIETARY TO MOLEX ELECTRONIC TECHNOLOGIES, LLC AND SHOULD NOT BE USED WITHOUT WRITTEN PERMISSION	SCALE 2:1		molex CSE M12 5P LC FE STR MA STR WSOR GY XM			
	GENERAL TOLERANCES (UNLESS SPECIFIED)	EC NO: 735577					EC NO: 735577 DRWN: MARUTD 2023/01/12 CHK'D: RSILLER 2023/01/19 APPR: RSILLER 2023/01/19
	DIVISIONAL SYMBOLS	4 PLACES ±	3 PLACES ±	2 PLACES ± 0.05	1 PLACE ± 0.3	0 PLACES ± 0.5	PRODUCT CUSTOMER DRAWING DOCUMENT NUMBER: 1205010100 DOC TYPE: PSD DOC PART: 000 REVISION: A1
	DRAFT WHERE APPLICABLE MUST REMAIN WITHIN DIMENSIONS	THIRD ANGLE PROJECTION	DRAWING	SERIES	MATERIAL NUMBER	CUSTOMER	SHEET NUMBER
		A3-SIZE	120501	SEE TABLE 2	GENERAL MARKET	1 OF 2	

ENGINEERING NO - NUMERICAL CODE (Available parts see PART LIST table. Other parts available upon request).

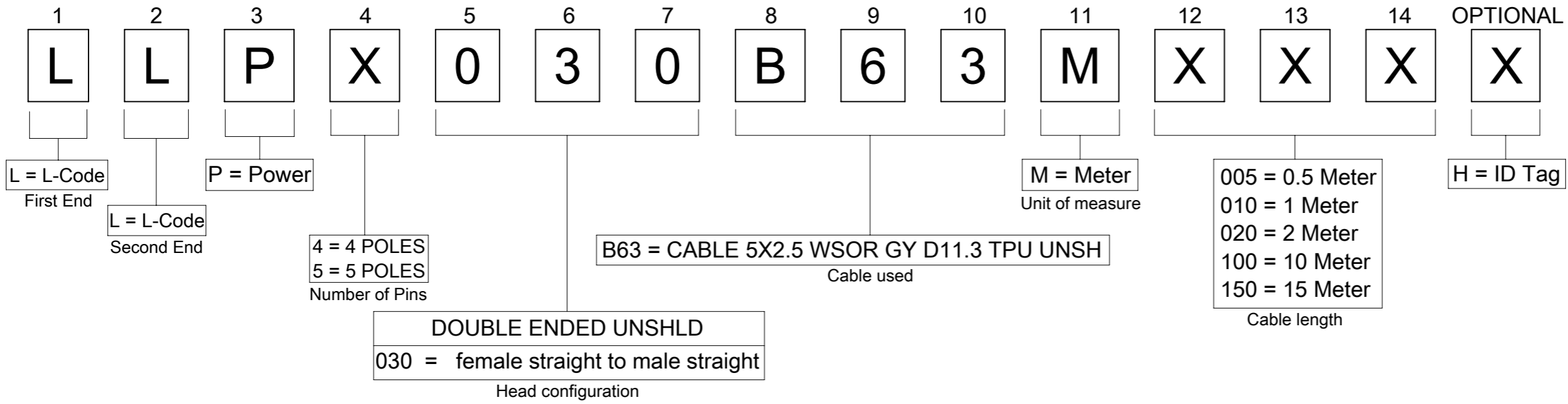


TABLE 2

NOMINAL SECTION 2,5mm ²			
MATERIAL NO.	ENGINEERING NO.	L [mm]	TOLERANCE [mm]
1205010100	LLP5030B63M005	500	+40
1205010101	LLP5030B63M010	1000	+40
1205010102	LLP5030B63M020	2000	+60
1205010103	LLP5030B63M030	3000	+60
1205010104	LLP5030B63M050	5000	+60
1205010105	LLP5030B63M100	10000	+80
1205010106	LLP5030B63M150	15000	+140
1205010107	LLP5030B63M200	20000	+160
1205010169	LLP5030B63M005H	500	+40
1205010170	LLP5030B63M010H	1000	+40
1205010164	LLP5030B63M020H	2000	+60
1205010165	LLP5030B63M030H	3000	+60
1205010036	LLP5030B63M050H	5000	+60
1205010037	LLP5030B63M100H	10000	+80
1205010035	LLP5030B63M150H	15000	+140
1205010039	LLP5030B63M200H	20000	+160
1205010040	LLP5030B63M250H	25000	+160
1205010038	LLP5030B63M300H	30000	+160
1205010166	LLP5030B63M350H	35000	+350
1205010167	LLP5030B63M400H	40000	+400
1205010168	LLP5030B63M450H	45000	+450

FUNCTIONAL SYMBOLS	THIS DRAWING CONTAINS INFORMATION THAT IS PROPRIETARY TO MOLEX ELECTRONIC TECHNOLOGIES, LLC AND SHOULD NOT BE USED WITHOUT WRITTEN PERMISSION		
	$\nabla/\bar{A} = 0$ $\nabla/\bar{E} = 0$ $\nabla/\bar{Z} = 0$	DIMENSION UNITS mm	SCALE 1:1
DIVISIONAL SYMBOLS	GENERAL TOLERANCES (UNLESS SPECIFIED)		EC NO: 735577 DRWN: MARUTD CHK'D: RSILLER APPR: RSILLER INITIAL REVISION: DRWN: FDAFERNER APPR: RSILLER
	ANGULAR TOL $\pm 1.0^\circ$		
	4 PLACES	\pm	
	3 PLACES	\pm	
DRAFT WHERE APPLICABLE MUST REMAIN WITHIN DIMENSIONS		THIRD ANGLE PROJECTION	DRAWING
			SERIES A3-SIZE
DOCUMENT NUMBER		SHEET NUMBER	CUSTOMER GENERAL MARKET
1205010100		DOC TYPE PSD	DOC PART 000
REVISION DATE: 2023/01/19		REVISION 11:13:39	SHEET NUMBER 2 OF 2