

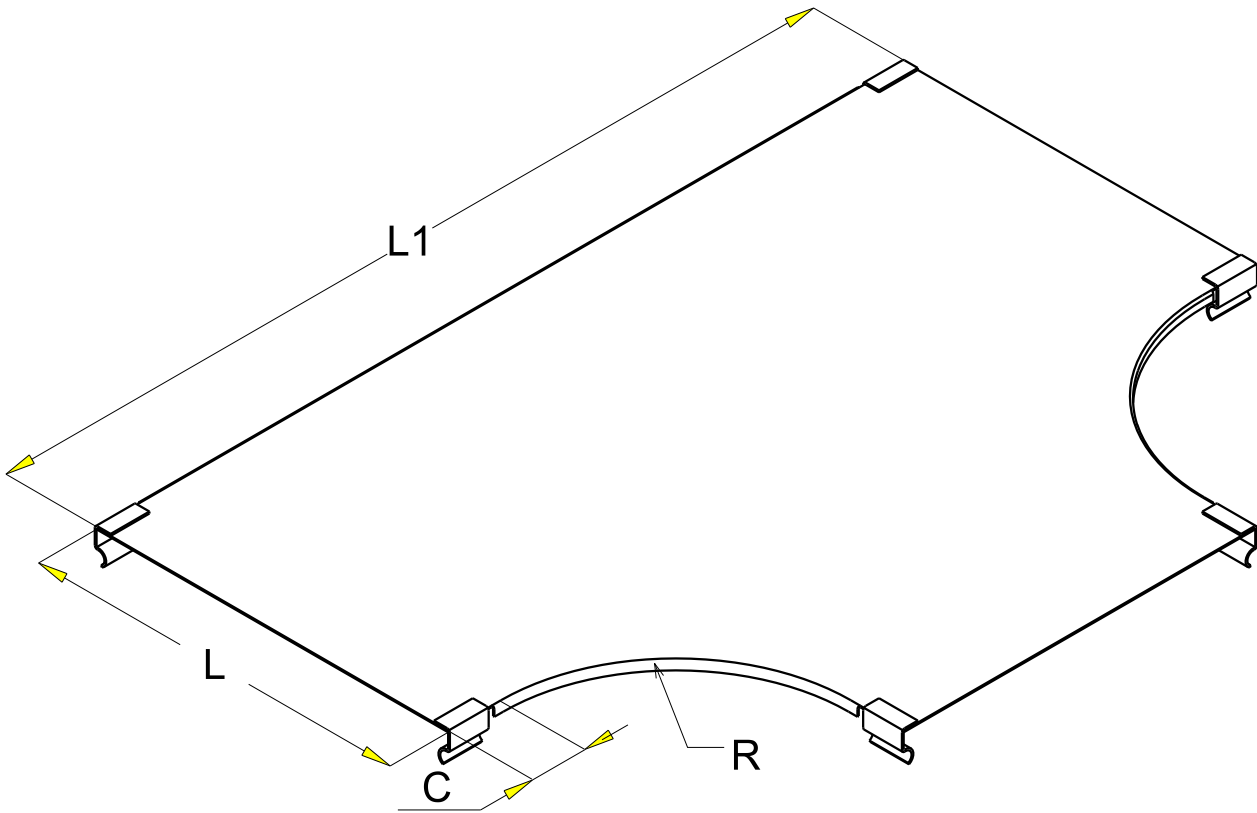
COUV TE P31 T50 à 600
Cover for Tee P31 50 to 600

GC
HDG

legrand CABLE
MANAGEMENT

FT0539-3

10 16



REF	CODE	L /L		EP /TH		L1 /L1		C /C		R /R	
		(mm)	(inch)	(mm)	(inch)	(mm)	(inch)	(mm)	(inch)	(mm)	(inch)
P31 CT 50	342 879	50	(1.97")	0.8	(0.032")	148	(5.83")	30	(1.18")	20	(1.78")
P31 CT 75	342 880	75	(2.92")	0.8	(0.032")	333	(13.11")	30	(1.18")	96.6	(3.80")
P31 CT 100	342 881	100	(3.94")	0.8	(0.032")	358	(14.11")	30	(1.18")	96.6	(3.80")
P31 CT 150	342 882	150	(5.91")	0.8	(0.032")	408	(16.08")	30	(1.18")	96.6	(3.80")
P31 CT 200	342 883	200	(5.91")	0.8	(0.032")	458	(18.05")	30	(1.18")	96.6	(3.80")
P31 CT 300	342 884	300	(7.87")	1	(0.039")	558	(21.99")	30	(1.18")	96.6	(3.80")
P31 CT 400	342 885	400	(11.81")	1	(0.039")	798	(31.44")	50	(1.97")	146.6	(5.77")
P31 CT 500	342 886	500	(19.69")	1	(0.039")	898	(35.38")	50	(1.97")	146.6	(5.77")
P31 CT 600	343 377	600	(23.62")	1	(0.039")	998	(39.29")	50	(1.97")	146.6	(5.77")

Material	Standard	Finishes	Standard
S 235 JR	EN 10 025-2	HDG	Class 6 according to CEI 61537

Propriété exclusive de LEGRAND, ne peut être ni copié, ni transmis à des tiers sans autorisation écrite.

Exclusive property of LEGRAND shouldn't be reproduced or transmitted to any people without written authorization