



CLV503-0000

CLV50x

FIXED MOUNT BARCODE SCANNERS

SICK
Sensor Intelligence.



Ordering information

Type	Part no.
CLV503-0000	1046315

Other models and accessories → www.sick.com/CLV50x



Detailed technical data

Features

Version	Mid Range
Connection type	Cable
Reading field	Front
Sensor type	Line scanner
Optical focus	Fixed focus
Light source	Light spot, laser, Visible, Red, 650 nm
Laser class	2 (IEC 60825-1:2014, EN 60825-1:2014)
Aperture angle	≤ 44°
Reading distance	50 mm ... 630 mm ¹⁾
Scanning frequency	≤ 100 Hz
Code resolution	0.15 mm ... 1 mm

¹⁾ For details see reading field diagram.

Mechanics/electronics

Connection type	1 x Cable open cable end (1,5 m)
Supply voltage	5 V DC, ± 10 %
Power consumption	typ. 85 ... 150 mA
Housing color	Light blue (RAL 5012)
Window material	Plastic
Enclosure rating	IP45
Protection class	III
Weight	+ 18.5 g, without cable
Dimensions (L x W x H)	30 mm x 43.3 mm x 20 mm
MTBF	10,000 h

Performance

Readable code structures	1D codes
Bar code types	Code 11
Code printing process	Label (printed codes)

Interfaces

Serial	✓
Data transmission rate	≤ 115.2 kBaud
Digital inputs	1 (Reading pulse trigger)
Digital outputs	2 ("Good Read" / "No Read")
Reading pulse	Button at housing
Optical indicators	1 LED
Acoustic indicators	Beeper/buzzer

Ambient data

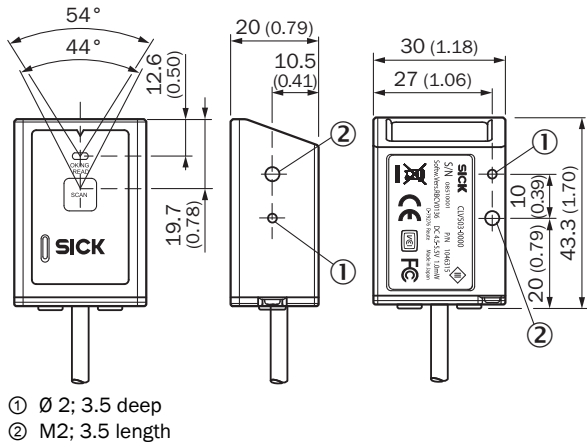
Electromagnetic compatibility (EMC)	EN 61000-6-3 (2007-01) ¹⁾
Ambient operating temperature	-10 °C ... +45 °C
Permissible relative humidity	± 85 %, Non-condensing
Ambient light immunity	2,000 lx
Bar code print contrast (PCS)	≥ 45 %

¹⁾ For ESD safe installation and cable length ≤ 3 m.

Classifications

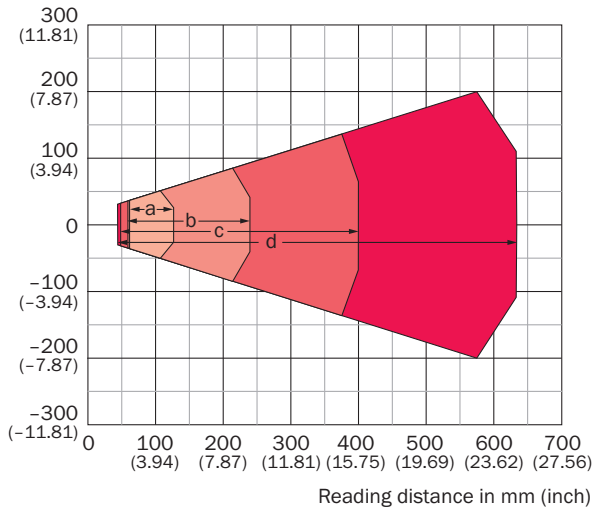
ECLASS 5.0	27280102
ECLASS 5.1.4	27280102
ECLASS 6.0	27280102
ECLASS 6.2	27280102
ECLASS 7.0	27280102
ECLASS 8.0	27280102
ECLASS 8.1	27280102
ECLASS 9.0	27280102
ECLASS 10.0	27280102
ECLASS 11.0	27280102
ECLASS 12.0	27280102
ETIM 5.0	EC002550
ETIM 6.0	EC002550
ETIM 7.0	EC002550
ETIM 8.0	EC002550
UNSPSC 16.0901	43211701

Dimensional drawing (Dimensions in mm (inch))




Reading field diagram

Reading field height in mm (inch)



Recommended accessories

Other models and accessories → www.sick.com/CLV50x

	Brief description	Type	Part no.
Mounting brackets and plates			
	Bracket with adapter board	Mounting bracket	2050021

Recommended services

Additional services → www.sick.com/CLV50x

	Type	Part no.
Extended warranty		
<ul style="list-style-type: none">• Product area: Identification solutions, machine vision, Detection and ranging solutions, safety camera sensors, Safety laser scanners, Safety radar sensors• Range of services: The services correspond to the scope of the statutory manufacturer warranty (SICK general terms of delivery).• Duration: Five-year warranty from delivery date.	Extended warranty for a total of five years from delivery date	1680671

SICK AT A GLANCE

SICK is one of the leading manufacturers of intelligent sensors and sensor solutions for industrial applications. A unique range of products and services creates the perfect basis for controlling processes securely and efficiently, protecting individuals from accidents and preventing damage to the environment.

We have extensive experience in a wide range of industries and understand their processes and requirements. With intelligent sensors, we can deliver exactly what our customers need. In application centers in Europe, Asia and North America, system solutions are tested and optimized in accordance with customer specifications. All this makes us a reliable supplier and development partner.

Comprehensive services complete our offering: SICK LifeTime Services provide support throughout the machine life cycle and ensure safety and productivity.

For us, that is “Sensor Intelligence.”

WORLDWIDE PRESENCE:

Contacts and other locations –www.sick.com