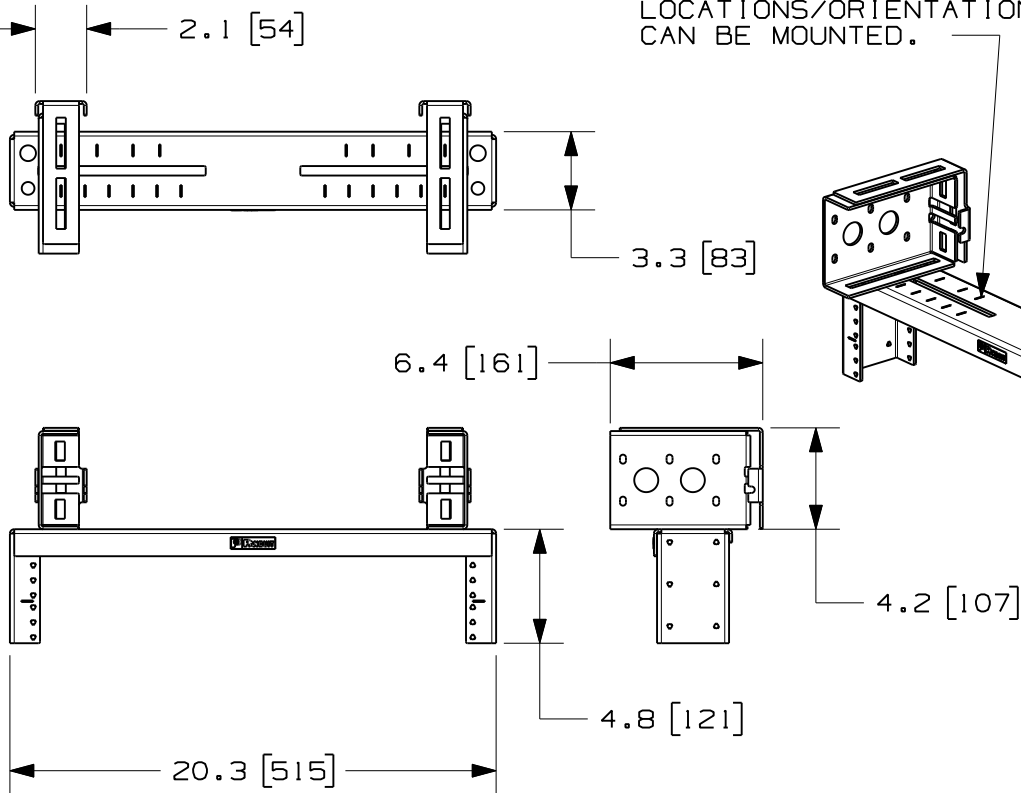


THIS COPY IS PROVIDED ON A RESTRICTED BASIS AND IS NOT TO BE USED IN ANY WAY DETRIMENTAL TO THE INTERESTS OF PANDUIT CORP.

MARKINGS CORRESPOND TO THE VARIOUS LOCATIONS/ORIENTATIONS BRACKETS CAN BE MOUNTED.



PANDUIT PART NO.	WEIGHT
PZLRB2U	10.42 LBS/EACH 4.73 kgs/EACH

NOTES:

- SEE CURRENT CATALOG FOR ADDITIONAL PART NUMBER SUFFIXES TO INDICATE COLOR AND OR PACKAGE QUANTITY.
- SEE CATALOG FOR COMPLETE LIST OF PARTS APPLICABLE FOR USE WITH THIS PART.
- DIMENSIONS IN PARENTHESES ARE IN METRIC.
- PART INCLUDES:
 - 1- MAIN BRACKET
 - 2- RECTANGULAR BRACKETS
 - 2- L-SHAPED ATTACHMENT BRACKETS
 - 6- 3-8/16 HEX SERRATED FLANGE NUTS
 - 6- 3-8/16 CARRIAGE BOLTS
 - 2- #12-24 SCREWS (4 PACK)
- CABLE MANAGEMENT OPTIONS:
 - BEND RADIUS POSTS (PZBR4)
 - VERTICAL D-RINGS (CMVDR2)

HOLES FOR ATTACHING CABLE MANAGEMENT PRODUCTS. (SEE NOTE 5)

MODEL FILENAME	V10521A0/00
CAD FILENAME/LAYERS	V10521A0_DC/00A

PANDUIT CORP. TINLEY PARK, ILLINOIS
 PANZONE OVERHEAD DISTRIBUTION RACK (PZLRB2U) CUSTOMER DRAWING

UNLESS OTHERWISE SPECIFIED, DIMENSIONAL TOLERANCES ARE:	UNLESS OTHERWISE SPECIFIED, ALL DIMENSIONS ARE GIVEN IN INCHES, THIRD ANGLE PROJECTION.
INCHES X.X +/- 0.03 X.XX +/- 0.015 X.XXX +/- 0.005	[METRIC - MILLIMETER] X +/- 0.8 X.X +/- 0.4 X.XX +/- 0.13 ANGLE +/- 1°

OOA	6-6-11	PM	SRK	RELEASED TO PRODUCTION	V10521A0-DC															
REV	DATE	BY	CHK	DESCRIPTION	ECN	R	CUST	SUP	OTH	CHK'D	MAT'L:		SCALE	DRAWING NO.	DWG SIZE					

DRAWN BY	PM	MAT'L:	N/A	SCALE	1:8
DATE	6-6-11			DRAWING NO.	V10521A0-DC
CHK'D	SRK			DWG SIZE	A