



Residual current  
circuit breakers  
(RCCB) with  
overcurrent  
protection  
P1RE  
1P+N  
2  
IEC

Product designation

Product type designation

Number of poles

Number of DIN modules

Compliance

**Electrical features**

Rated insulation voltage $U_i$ IEC/EN	V	400
Rated impulse withstand voltage $U_{imp}$	kV	4
Rated operational voltage AC (IEC)	VAC	230
Rated frequency	Hz	50/60
Rated current ( $I_n$ )	A	20
Tripping curve		C
Residual operation characteristic		A
Rated residual current	mA	300
Short circuit rating (IEC)	kA	10
Electrical life	cycles	10000

**Ambient conditions**

Operating temperature

min	°C	-25
max	°C	+60

Storage temperature

min	°C	-40
max	°C	+80

Max altitude

m 2000

**Mechanical features**

Operating position

normal Vertical plan

Fixing

35mm DIN rail

Tightening torque for terminals

max	Nm	2
max	lbin	15

Terminals tool

Pz 2

Conductor section

IEC

min	mm <sup>2</sup>	1
max	mm <sup>2</sup>	16

AWG/Kcmil

min		16
max		3

Mechanical life

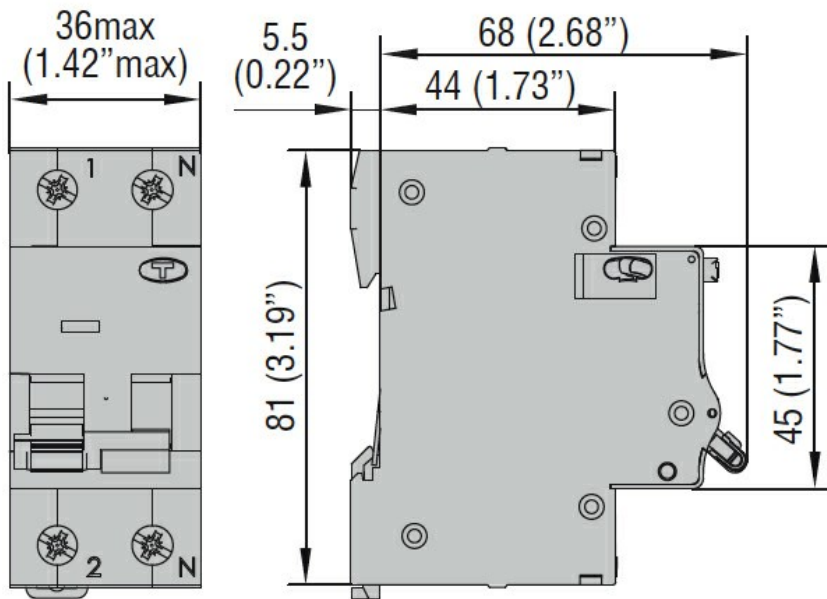
cycles 20000

Weight

g 205

Frontal IP degree	IP20
Pollution degree	2

**Dimensions**



**Certifications and compliance**

Compliance	IEC/EN/BS 61009-1
Certifications	EAC TÜV-SUD

**ETIM classification**

ETIM 8.0	EC000905 - Earth leakage circuit breaker
----------	--