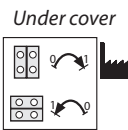
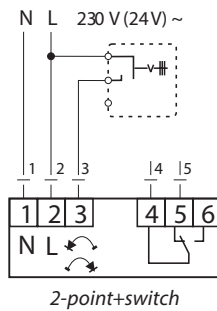
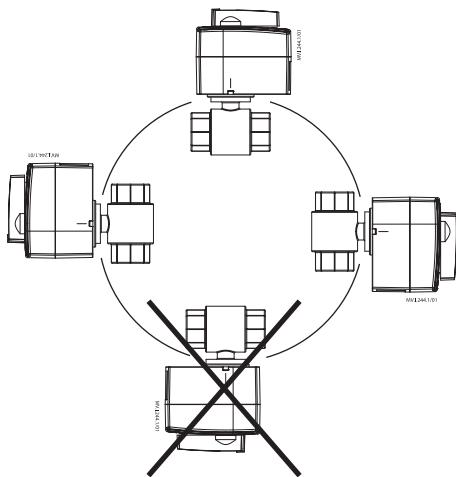
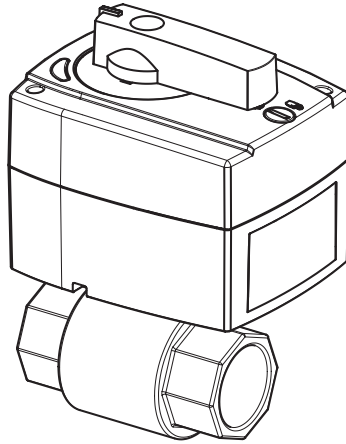


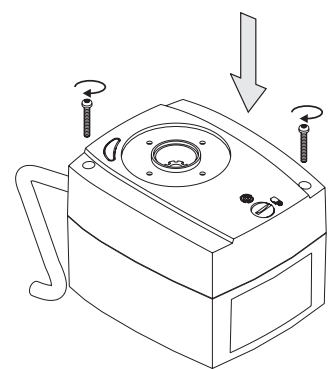
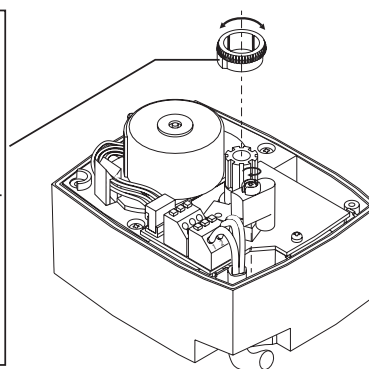
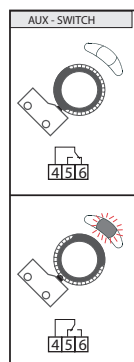
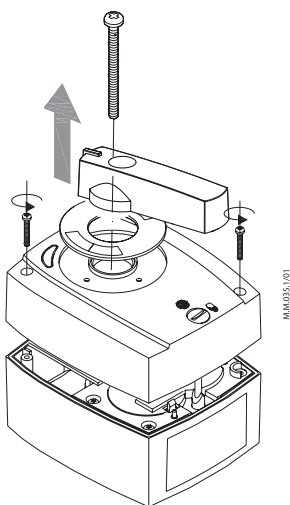
Installation Guide

AMZ 112, AMZ 113



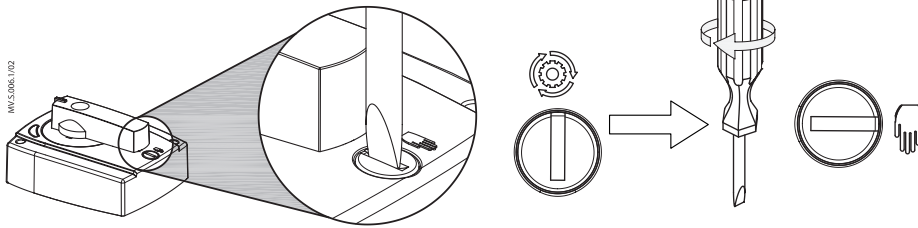
Direct/Inverse function

| Jumper | Wiring | Open Port |
|--------|--------------------|--------------|
| DIR | L = 2 L = 2 & 3 | AB-B AB-A |
| INV | L = 2 L = 2 & 3 | AB-A AB-B |



Installation Guide AMZ 112, AMZ 113

1



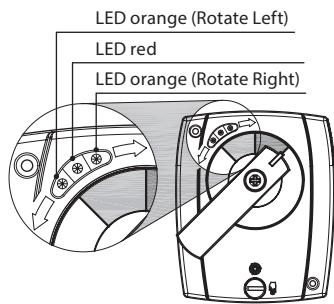
2



① AMZ 112

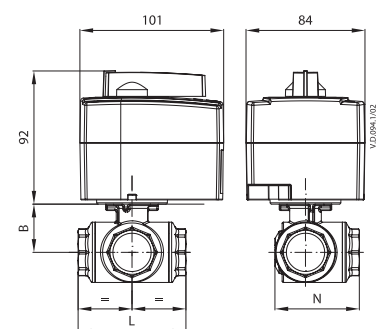
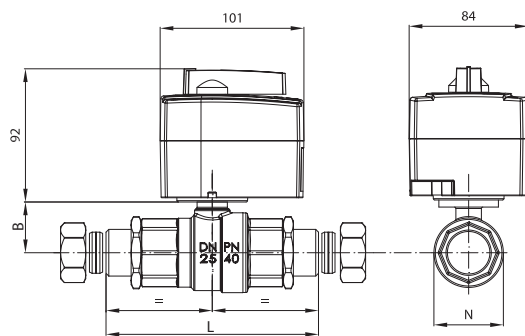
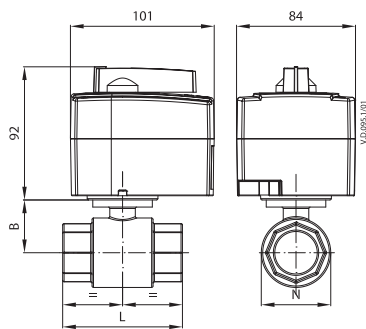
② AMZ 113

3



AMZ 112/113

| | |
|-----------|-----------------------|
| LED color | 2-point |
| orange | Rotation Left / Right |
| red | AUX switch activation |



AMZ 112

| DN | Connection | L | B | N |
|----|------------|------|------|----|
| | G | | | |
| 15 | 1/2" | 61 | 29,4 | 37 |
| 20 | 3/4" | 69,5 | 33 | 37 |
| 25 | 1" | 84,5 | 37,2 | 42 |
| 32 | 1 1/4" | 98,5 | 47,5 | 42 |
| 40 | 1 1/2" | 110 | 53 | 42 |
| 50 | 2" | 130 | 64 | 48 |

AMZ 112

| DN | Connection | L | B | N |
|----|------------|-------|------|----|
| | G | | | |
| 15 | Cu-Cu 22 | 103 | 29,4 | 37 |
| 20 | Cu-Cu 22 | 111,5 | 33 | 37 |

AMZ 113

| DN | Connection | L | B | N |
|----|------------|------|-------|------|
| | G | | | |
| 15 | 1/2" | 64,5 | 38 | 49,5 |
| 20 | 3/4" | 76 | 42 | 59,5 |
| 25 | 1" | 97 | 46,5 | 74,5 |
| 32 | 1 1/4" | 118 | 61,25 | 95,5 |