

Main

Accessory / separate part category	Mounting accessories
Product brand	Merlin Gerin
Range of product	Zelio Logic

Complementary

Product compatibility	Mounting through door
Product weight	0.35 kg

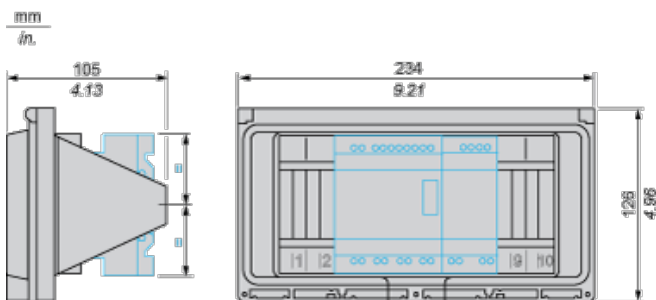
Environment

Contractual warranty

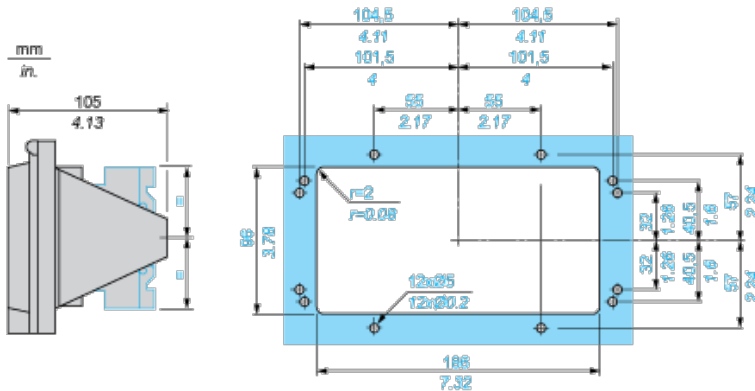
Warranty period	18 months
-----------------	-----------

Dust and Damp-Proof Enclosure + Fixing Bracket

Dimensions



Cut-out



The information provided in this documentation contains general descriptions and/or technical characteristics of the products contained herein. This documentation is not intended as a substitute for and is not to be used for determining suitability or reliability of these products for specific user applications. It is the duty of any such user or integrator to perform the appropriate and complete risk analysis, evaluation and testing of the products with respect to the relevant specific application or use thereof. Neither Schneider Electric Industries SAS nor any of its affiliates or subsidiaries shall be responsible or liable for misuse of the information contained herein.