



Product designation				Auxiliary contactor
Product type designation				BG00
Contact characteristics				
Number of poles	Nr.			4
Rated insulation voltage U_i IEC/EN	V			690
Rated impulse withstand voltage U_{imp}	kV			6
Operational frequency	min	Hz	25	
	max	Hz	400	
IEC Conventional free air thermal current I_{th}	A			10
Protection fuse	gG (IEC)		A	16
	Tightening torque for terminals			
	min	Nm	0.8	
	max	Nm	1	
	min	lbin	9	
	max	lbin	9	
Tightening torque for coil terminal	min	Nm	0.8	
	max	Nm	1	
	min	lbin	9	
	max	lbin	9	
Max number of wires simultaneously connectable	Nr.			2
Conductor section	AWG/Kcmil			
			max	12
Flexible w/o lug conductor section	min	mm ²	0.8	
	max	mm ²	2.5	
Flexible c/w lug conductor section	min	mm ²	1.5	
	max	mm ²	2.5	
Flexible with insulated spade lug conductor section	min	mm ²	1.5	
	max	mm ²	2.5	
Power terminal protection according to IEC/EN 60529				IP20
Mechanical features				
Operating position	normal allowable		Vertical plan $\pm 30^\circ$	
			Screw / DIN rail 35mm	
Fixing				Screw / DIN rail 35mm
Weight				g 200
Conductor section				

AWG/kcmil conductor section

	max	12	
Auxiliary contact characteristics			
Thermal current I _{th}	A	10	
IEC/EN 60947-5-1 designation	A600 - Q600		
Operating current AC15	230V	A	3
	400V	A	1.9
	500V	A	1.4
Operating current DC12	110V	A	2.9
Operating current DC13	24V	A	2.9
	48V	A	1.4
	60V	A	1.2
	110V	A	0.6
	125V	A	0.55
	220V	A	0.3
	600V	A	0.1
Operations			
Mechanical life	cycles	20000000	
Safety related data			
Performance level B10d according to EN/ISO 13489-1	mechanical load	cycles	20000000
Mirror contacts according to IEC/EN 60947-4-1	YES		
EMC compatibility	YES		
AC coil operating			
Rated AC voltage at 50/60Hz	V	230	
AC operating voltage			
of 50/60Hz coil powered at 50Hz			
pick-up	min	%Us	75
	max	%Us	115
drop-out	min	%Us	20
	max	%Us	55
of 50/60Hz coil powered at 60Hz			
pick-up	min	%Us	80
	max	%Us	115
drop-out	min	%Us	20
	max	%Us	55
AC average coil consumption at 20°C			
of 50/60Hz coil powered at 50Hz	in-rush	VA	30
	holding	VA	4
of 50/60Hz coil powered at 60Hz	in-rush	VA	25
	holding	VA	3
of 60Hz coil powered at 60Hz	in-rush	VA	30
	holding	VA	4

Dissipation at holding ≤20°C 50Hz		W	0.9
Max cycles frequency			
Mechanical operation		cycles/h	3600
Operating times			
Average time for Us control			
in AC			
Closing NO		min	ms 12
		max	ms 21
Opening NO		min	ms 9
		max	ms 18
Closing NC		min	ms 17
		max	ms 26
Opening NC		min	ms 7
		max	ms 17
in DC			
Closing NO		min	ms 18
		max	ms 25
Opening NO		min	ms 2
		max	ms 3
Closing NC		min	ms 3
		max	ms 5
Opening NC		min	ms 11
		max	ms 17

UL technical data

General USE			
Contactor		AC current	A 10

Contact rating of auxiliary contacts according to UL A600 - Q600

Ambient conditions

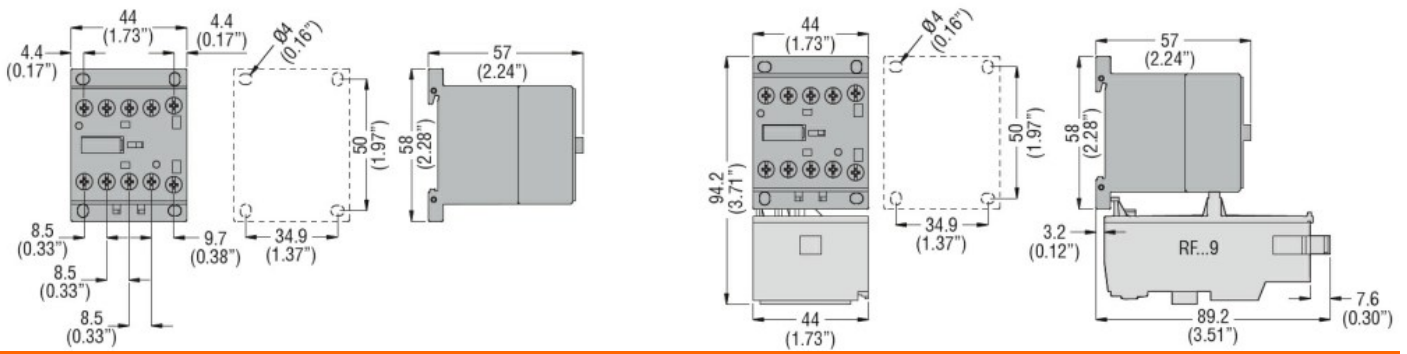
Temperature			
Operating temperature			
		min	°C -50
		max	°C +70
Storage temperature			
		min	°C -60
		max	°C +80

Max altitude m 3000

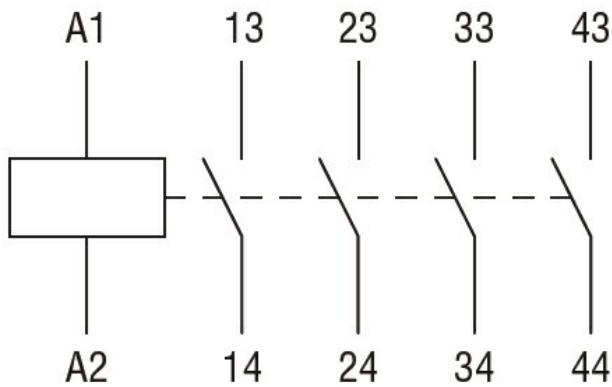
Resistance & Protection

Pollution degree 3

Dimensions



Wiring diagrams



Certifications and compliance

Compliance

CSA C22.2 n° 60947-1
 CSA C22.2 n° 60947-5-1
 IEC/EN 60947-1
 IEC/EN 60947-5-1
 UL 60947-1
 UL 60947-5-1

Certificates

CCC
 cULus
 EAC

ETIM classification

ETIM 8.0

EC000196 -
 Contactor relay