

# VeriSafe™ Access Control Kit

### applications

The VeriSafe™ Access Control Kit provides an added layer of protection by preventing enclosure doors from being opened until the absence of voltage is confirmed. The Access Control Kit provides an integrated solution that can be added to new or existing AVT installations. When the AVT confirms the absence of voltage, a signal is sent to disengage the lock. The system can be powered by auxiliary power within the enclosure or via an optional battery. The kit contains the components and hardware necessary to incorporate this functionality into electrical enclosures.



### components



VeriSafe™ Absence of Voltage Tester (not included)



VeriSafe™ Access Control Kit



Access Control Battery Kit

#### Access Control Kit

**Access Control Kit containing Enclosure Bracket, Latch Bracket, Rotary Latch, Striker, Cam Latch, Short Cam, and Wire Harness:** VS-ACK-CPWR

#### Accessories

**Extension Kit Containing Extension Brackets and Long Cam:** VS-ACK-EXT

**Spare Key for Cam Latch:** VS-ACK-KEY

**Battery Kit Containing Assembled Battery Case that is DIN Rail Mounted:** VS-ACK-BATTERY

#### Related Products

**VeriSafe™ Absence of Voltage Tester with 2 ft. system cable, 3 ft. sensor leads:** VS-AVT-C02-L03

**VeriSafe™ Absence of Voltage Tester with 8 ft. system cable, 10 ft. sensor leads:** VS-AVT-C08-L10

### key features and benefits

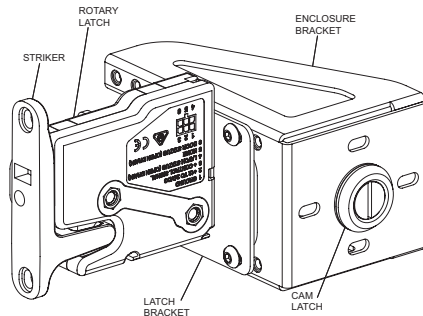
<b>Smart Technology:</b>	Prevents enclosure from being access until absence of voltage is confirmed by AVT Monitor latch status (optional) Monitor door status (optional)
<b>Enhanced Safety:</b>	Protects personnel from electrical hazards Latch automatically relocks upon closure Remains locked if auxiliary power is lost
<b>Ease of Installation:</b>	Key hardware included for quick and easy installation Flexible design for use with multiple enclosure types Use existing 12-24Vdc power or optional battery
<b>Robust Design:</b>	Heavy-duty locking mechanism Includes mechanical override Compatible with Type (NEMA, CSA, UL) 4 and 12 enclosures

# VeriSafe™ Access Control Kit

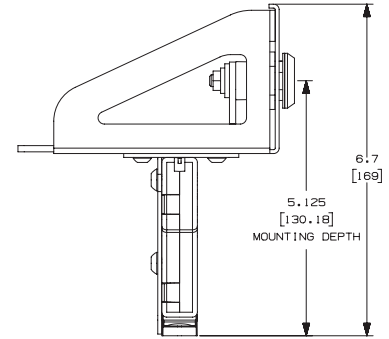
## technical information

### Latch Assembly Specifications

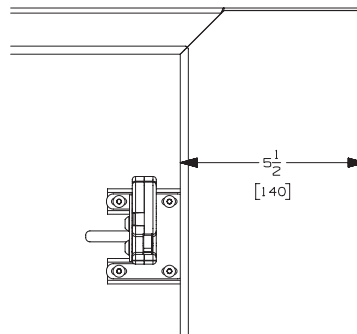
- Rated NEMA/UL/CSA Type 4 and 12
- Operating Temperature: -13°F to 140°F (-25°C to 60°C)
- Power Input: 12-24 Vdc or Battery
- Operating current: less than 500mA at 12Vdc
- Push-to-close latch with electronic release
- Heavy duty cast aluminum striker
- Integrated latch and override mounting bracket
- Includes keyed mechanical override
- Outputs provide feedback on status of latch and door position (optional)
- Panel lip range ½" - 5 ½" with ½" increments
- Use on independent door handles only



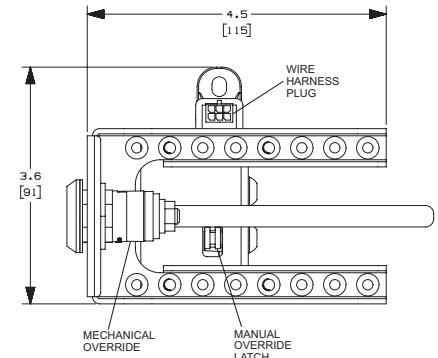
VeriSafe™ Access Control Kit



Top View



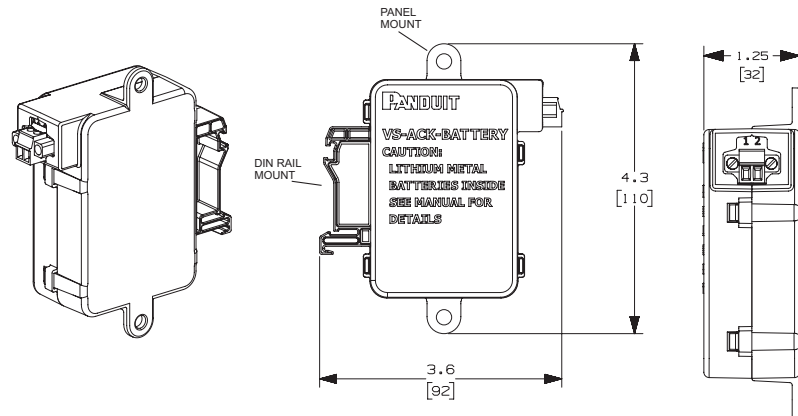
Maximum Lip Range



Back View

### Battery Specifications (optional)

- Operating Temperature: -40°F - 140°F (-40°C - 60°C)
- Mountable via DIN rail or side panel
- Estimated capacity: 1 cycle per week for 10 years
- ANSI-1604LC



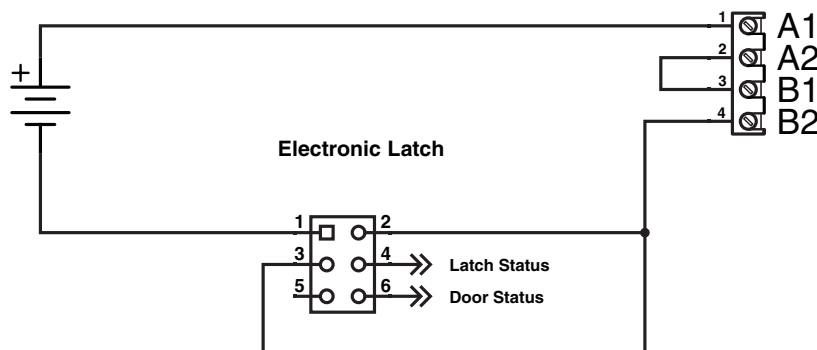
VeriSafe™ Access Control Battery Kit

## schematic

### Latch Wiring Connections

- 1 Ground (-)
- 2 Power (+)
- 3 Control Signal from AVT
- 4 Latch Status (optional)
- 5 Not Used
- 6 Door Status (optional)

Power Source  
12-24 Vdc Power  
or Battery



VeriSafe™ AVT  
Isolation Module  
Output Contacts  
SIL 3 (IEC 61508)

### WORLDWIDE SUBSIDIARIES AND SALES OFFICES

PANDUIT CANADA  
Markham, Ontario  
cs-cdn@panduit.com  
Phone: 800.777.3300

PANDUIT EUROPE LTD.  
London, UK  
cs-emea@panduit.com  
Phone: 44.20.8601.7200

PANDUIT SINGAPORE PTE. LTD.  
Republic of Singapore  
cs-ap@panduit.com  
Phone: 65.6305.7575

PANDUIT JAPAN  
Tokyo, Japan  
cs-japan@panduit.com  
Phone: 81.3.6863.6000

PANDUIT LATIN AMERICA  
Guadalajara, Mexico  
cs-la@panduit.com  
Phone: 52.33.3777.6000

PANDUIT AUSTRALIA PTY. LTD.  
Victoria, Australia  
cs-aus@panduit.com  
Phone: 61.3.9794.9020

For a copy of Panduit product warranties, log on to [www.panduit.com/warranty](http://www.panduit.com/warranty)

For more information

Visit us at [www.panduit.com](http://www.panduit.com)

Contact Customer Service by email: [cs@panduit.com](mailto:cs@panduit.com)  
or by phone: 800.777.3300

© 2019 Panduit Corp.  
ALL RIGHTS RESERVED.  
SFSP12--SA-ENG  
10/2019