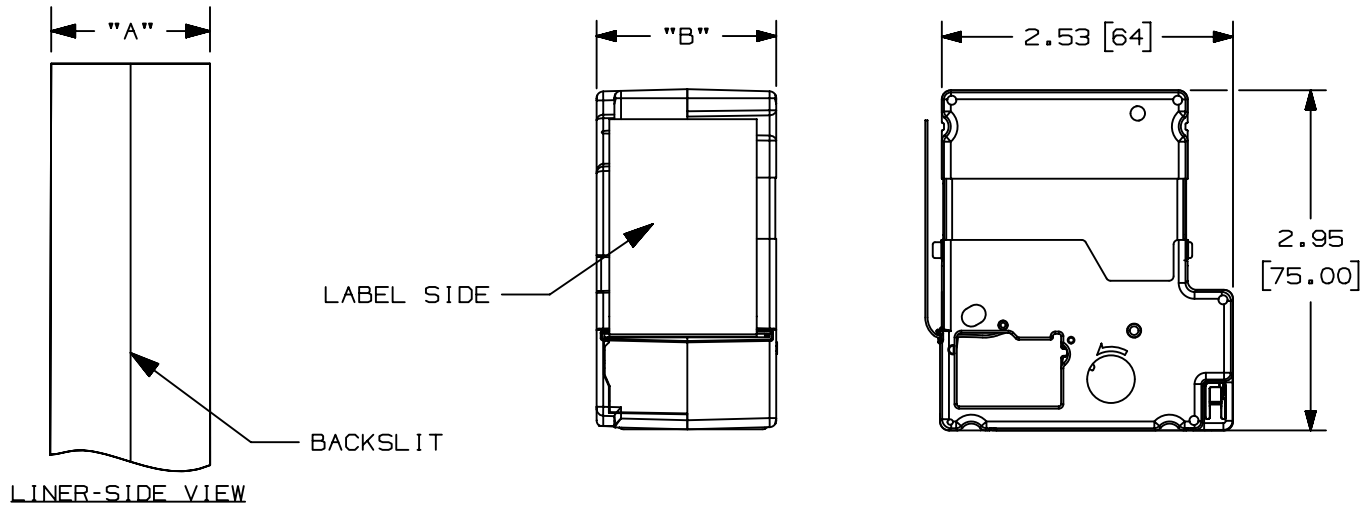


THIS COPY IS PROVIDED ON A RESTRICTED BASIS AND IS NOT TO BE USED IN ANY WAY DETRIMENTAL TO THE INTERESTS OF PANDUIT CORP.

MP CASSETTE PART NO.	LABEL "A" +/- .030 [0.76]	CASSETTE WIDTH "B" REF	COLOR	MATERIAL	ROLL LENGTH +10% / -0%	COMPATIBLE PRINTERS
T050X000C1M-BK	0.465 [11.82]	0.87 [22.1]	BLACK ON WHITE	GMC6	19 ft [6 m]	MP75, MP100, MP200, MP300
T075X000C1M-BK	0.702 [17.82]	0.99 [25.1]	BLACK ON WHITE			MP75, MP100, MP200, MP300
T100X000C1M-BK	0.938 [23.82]	1.10 [27.9]	BLACK ON WHITE			MP100, MP200, MP300

NOTES:

1. THESE CASSETTES CONTAIN INK RIBBON AND PRINTABLE MEDIA.
- 2) THE PRODUCTS CAN BE PRINTED WITH PANDUIT PRINTERS (SOLD SEPARATELY), AS LISTED IN THE TABLE.
- 3) WHEN PRINTING WITH THE MP100, SCISSORS SHOULD BE USED, TO CUT THE PRINTED TAPE.
- 4) SEE Panduit.com FOR MORE INFORMATION.



REV	DATE	BY	CHK	APR	DESCRIPTION	ECN
00A	11/03/21	ARHA	KJM	MSAD	DRAWING RELEASE.	GAECN06410

TITLE MP NYLON CLOTH TAPE CASSETTE T***X000C1M-BK CUSTOMER DRAWING					
ITEM REVISION NAME I00743XX/00					
DATASET FILE NAME I00743XX_DC/00A					
UNLESS OTHERWISE SPECIFIED, DIMENSIONAL TOLERANCES ARE: IN [mm]					MATERIAL: SEE TABLE
.x ± .1 [2.54]		.xxx ± .025 [.635]			
.xx ± .05 [1.27]		ANGLES ±			
			THIRD ANGLE PROJECTION		
DRAWN BY ARHA	DATE 11/03/21	CHK MSAD	SCALE NTS	DRAWING NUMBER: I00743XX_DC	
REV			SHT 1 OF 1		SIZE A

D10100DA/20