



| | | | |
|---|--------------------|------|-----|
| Product designation | Power contactor | | |
| Product type designation | B400 | | |
| Contact characteristics | | | |
| Number of poles | Nr. | 3 | |
| Rated insulation voltage U _i IEC/EN | V | 1000 | |
| Rated impulse withstand voltage U _{imp} | kV | 8 | |
| Operational frequency | min | Hz | 25 |
| | max | Hz | 400 |
| IEC Conventional free air thermal current I _{th} | A | 550 | |
| Operational current I _e | AC-1 (≤40°C) | A | 550 |
| | AC-1 (≤55°C) | A | 430 |
| | AC-1 (≤70°C) | A | 360 |
| | AC-3 (≤440V ≤55°C) | A | 420 |
| | AC-4 (400V) | A | 200 |
| Rated operational power AC-3 (T≤55°C) | 400V | kW | 225 |
| | | | |
| Rated operational power AC-1 (T≤40°C) | 230V | kW | 200 |
| | 400V | kW | 345 |
| | 500V | kW | 452 |
| | 690V | kW | 598 |
| IEC max current I _e in DC1 with L/R ≤ 1ms with 1 poles in series | 75V | A | 400 |
| | 110V | A | 250 |
| | 220V | A | -- |
| | 330V | A | -- |
| | 460V | A | -- |
| IEC max current I _e in DC1 with L/R ≤ 1ms with 2 poles in series | 75V | A | 400 |
| | 110V | A | 400 |
| | 220V | A | 350 |
| | 330V | A | -- |
| | 460V | A | -- |
| IEC max current I _e in DC1 with L/R ≤ 1ms with 3 poles in series | 75V | A | 400 |
| | 110V | A | 400 |
| | 220V | A | 400 |
| | 330V | A | 350 |
| | 460V | A | -- |
| IEC max current I _e in DC1 with L/R ≤ 1ms with 4 poles in series | 75V | A | 400 |
| | 110V | A | 400 |
| | 220V | A | 400 |

| | | | |
|--|-----------------|------------------|------|
| | 330V | A | 400 |
| | 460V | A | 350 |
| IEC max current I _e in DC3-DC5 with L/R ≤ 15ms with 1 poles in series | | | |
| | 75V | A | 350 |
| | 110V | A | 200 |
| | 220V | A | -- |
| | 330V | A | -- |
| | 460V | A | -- |
| IEC max current I _e in DC3-DC5 with L/R ≤ 15ms with 2 poles in series | | | |
| | 75V | A | 350 |
| | 110V | A | 350 |
| | 220V | A | 280 |
| | 330V | A | -- |
| | 460V | A | -- |
| IEC max current I _e in DC3-DC5 with L/R ≤ 15ms with 3 poles in series | | | |
| | 75V | A | 350 |
| | 110V | A | 350 |
| | 220V | A | 350 |
| | 330V | A | 280 |
| | 460V | A | -- |
| IEC max current I _e in DC3-DC5 with L/R ≤ 15ms with 4 poles in series | | | |
| | 75V | A | 350 |
| | 110V | A | 350 |
| | 220V | A | 350 |
| | 330V | A | 280 |
| | 460V | A | 280 |
| Short-time allowable current for 10s (IEC/EN60947-1) | | A | 3600 |
| Protection fuse | | | |
| | gG (IEC) | A | 630 |
| | aM (IEC) | A | 400 |
| Making capacity (RMS value) | | A | 4200 |
| Breaking capacity at voltage | | | |
| | 440V | A | 4000 |
| | 500V | A | 3400 |
| | 690V | A | 3360 |
| Resistance per pole (average value) | | mΩ | 0.2 |
| Power dissipation per pole (average value) | | | |
| | I _{th} | W | 52 |
| | AC-3 | W | 32 |
| Tightening torque for terminals | | | |
| | min | Nm | 35 |
| | max | Nm | 35 |
| | min | I _{bin} | 25.8 |
| | max | I _{bin} | 25.8 |
| Tightening torque for coil terminal | | | |
| | min | Nm | 1 |
| | max | Nm | 1 |
| | min | I _{bin} | 0.74 |
| | max | I _{bin} | 0.74 |
| Max number of wires simultaneously connectable | | Nr. | 2 |
| Conductor section | | | |
| | AWG/Kcmil | | |
| | max | 2x 300 kcmil | |

| | | | | |
|---|---------------------------------|--------------------|--------------|--------------------|
| Power terminal protection according to IEC/EN 60529 | | | | IP00 |
| Mechanical features | | | | |
| Operating position | normal allowable | Vertical plan ±30° | | |
| Fixing | | | | Screw |
| Weight | g | | | 1023 |
| Conductor section | AWG/kcmil conductor section | max | 2x 300 kcmil | |
| Operations | | | | |
| Mechanical life | cycles | | | 10000000 |
| Electrical life | cycles | | | 700000 |
| Safety related data | | | | |
| Performance level B10d according to EN/ISO 13489-1 | rated load mechanical load | cycles | cycles | 700000 10000000 |
| Mirror contacts according to IEC/EN 60947-4-1 | | | | yes |
| EMC compatibility | | | | yes |
| AC coil operating | | | | |
| Rated AC voltage at 50/60Hz, 60Hz | min | V | 220 | |
| | max | V | 240 | |
| AC operating voltage | of 50/60Hz coil powered at 50Hz | | | |
| | pick-up | | | |
| | min | %Us | 80 | |
| | max | %Us | 110 | |
| | drop-out | | | |
| | min | %Us | 20 | |
| | max | %Us | 60 | |
| | of 50/60Hz coil powered at 60Hz | | | |
| | pick-up | | | |
| | min | %Us | 80 | |
| | max | %Us | 110 | |
| | drop-out | | | |
| | min | %Us | 20 | |
| | max | %Us | 60 | |
| | of 60Hz coil powered at 60Hz | | | |
| | pick-up | | | |
| | min | %Us | 80 | |
| | max | %Us | 110 | |
| | drop-out | | | |
| | min | %Us | 20 | |
| | max | %Us | 60 | |
| AC average coil consumption at 20°C | of 50/60Hz coil powered at 50Hz | | | |
| | in-rush | VA | 300 | |
| | holding | VA | 10 | |
| | of 50/60Hz coil powered at 60Hz | | | |
| | in-rush | VA | 300 | |
| | holding | VA | 10 | |
| Dissipation at holding ≤20°C 50Hz | | | | W 10 |

DC coil operating

DC rated control voltage

| | | |
|-----|---|-----|
| min | V | 220 |
| max | V | 240 |

DC operating voltage

pick-up

| | | |
|-----|-----|-----|
| min | %Us | 80 |
| max | %Us | 110 |

drop-out

| | | |
|-----|-----|----|
| min | %Us | 20 |
| max | %Us | 60 |

Average coil consumption ≤20°C

| | | |
|---------|---|-----|
| in-rush | W | 300 |
| holding | W | 10 |

Max cycles frequency

Mechanical operation

cycles/h 2400

Operating times

Average time for Us control

in AC

Closing NO

| | | |
|-----|----|-----|
| min | ms | 80 |
| max | ms | 120 |

Opening NO

| | | |
|-----|----|----|
| min | ms | 30 |
| max | ms | 75 |

in DC

Closing NO

| | | |
|-----|----|-----|
| min | ms | 80 |
| max | ms | 120 |

Opening NO

| | | |
|-----|----|----|
| min | ms | 30 |
| max | ms | 75 |

UL technical data

Full-load current (FLA) for three-phase AC motor

| | | |
|---------|---|-----|
| at 480V | A | 414 |
| at 600V | A | 382 |

Yielded mechanical performance

for three-phase AC motor

| | | |
|----------|----|-----|
| 200/208V | HP | 125 |
| 220/230V | HP | 150 |
| 460/480V | HP | 350 |
| 575/600V | HP | 400 |

General USE

Contactor

AC current A 550

Short-circuit protection fuse, 600V

Standard fault

| | | |
|-----------------------|----|-----|
| Short circuit current | kA | 18 |
| Fuse rating | A | 800 |
| Fuse class | L | |

Ambient conditions

Temperature

Operating temperature

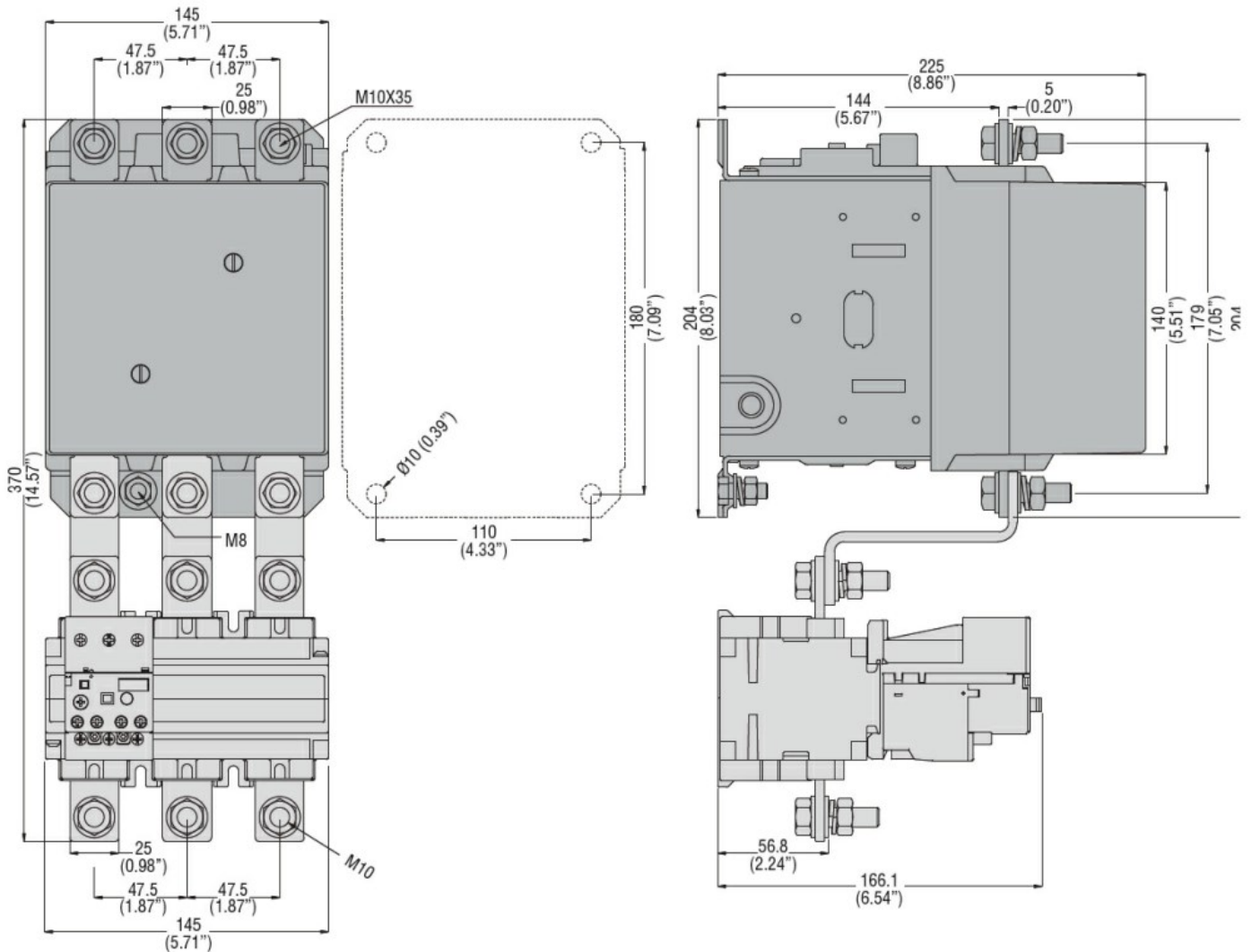
| | | |
|-----|----|-----|
| min | °C | -50 |
|-----|----|-----|

| | | | |
|---------------------|-----|----|------|
| Storage temperature | max | °C | 70 |
| | min | °C | -60 |
| Max altitude | max | °C | 80 |
| | | m | 3000 |

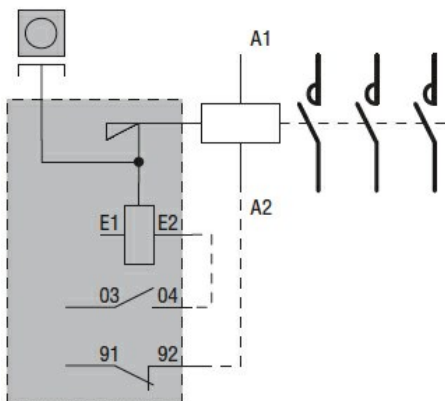
Resistance & Protection

| | |
|------------------|---|
| Pollution degree | 3 |
|------------------|---|

Dimensions



Wiring diagrams



Certifications and compliance

Compliance

CSA C22.2 n° 60947-1

CSA C22.2 n° 60947-4-1

IEC/EN 60947-1

IEC/EN 60947-4-1

UL 60947-1

UL 60947-4-1

Certificates

CCC

cULus

EAC

ETIM classification

ETIM 8.0

EC000066 -
Power contactor,
AC switching