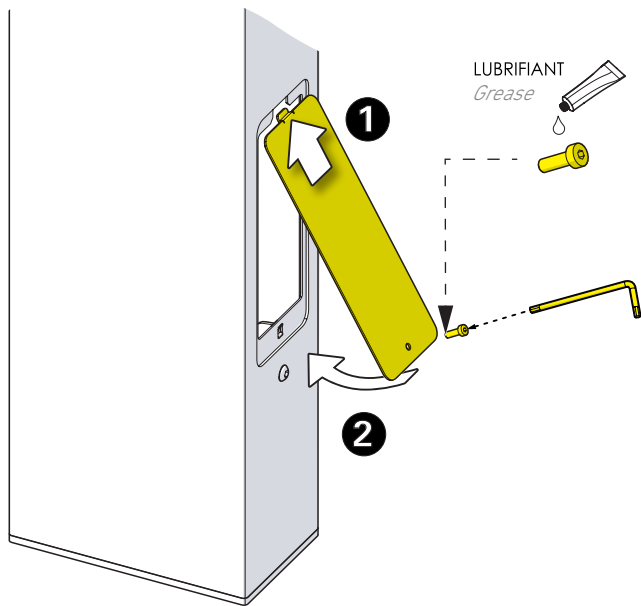
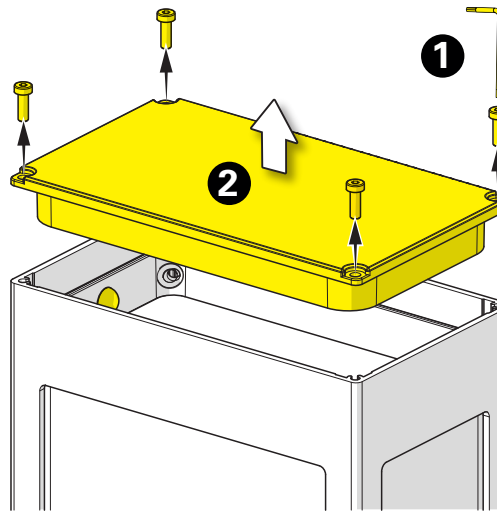


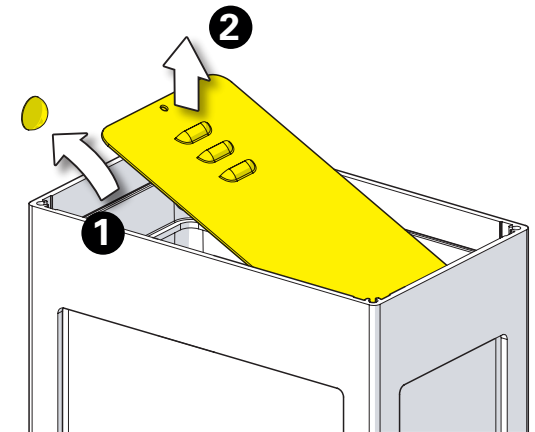
4 Fermeture de la trappe
Close the access door



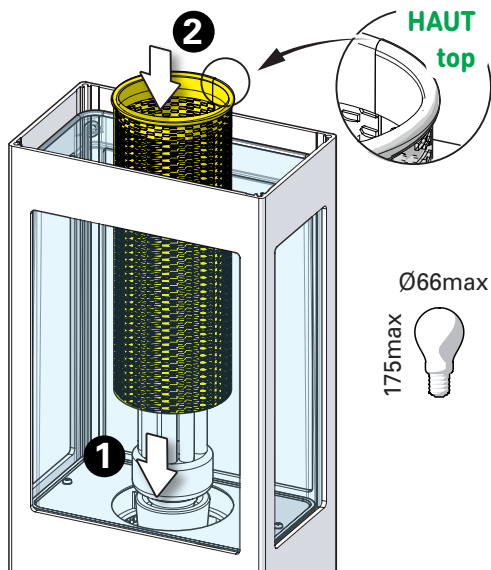
5 Retirer le couvercle supérieur
Remove the top cover



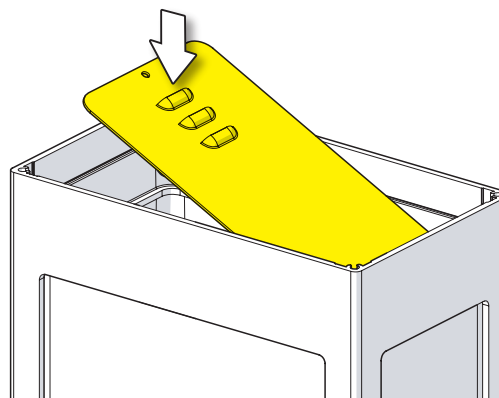
6 Extraire la plaque
Extract the plate



7 Montage de la lampe & du paralume
Install the light & the bulb cover



8 Remettre la plaque
Re-install the plate



9 Remettre en place le couvercle
Put the top cover back in position

