

CONSOLE CCP21S  
CCP21S BRACKET

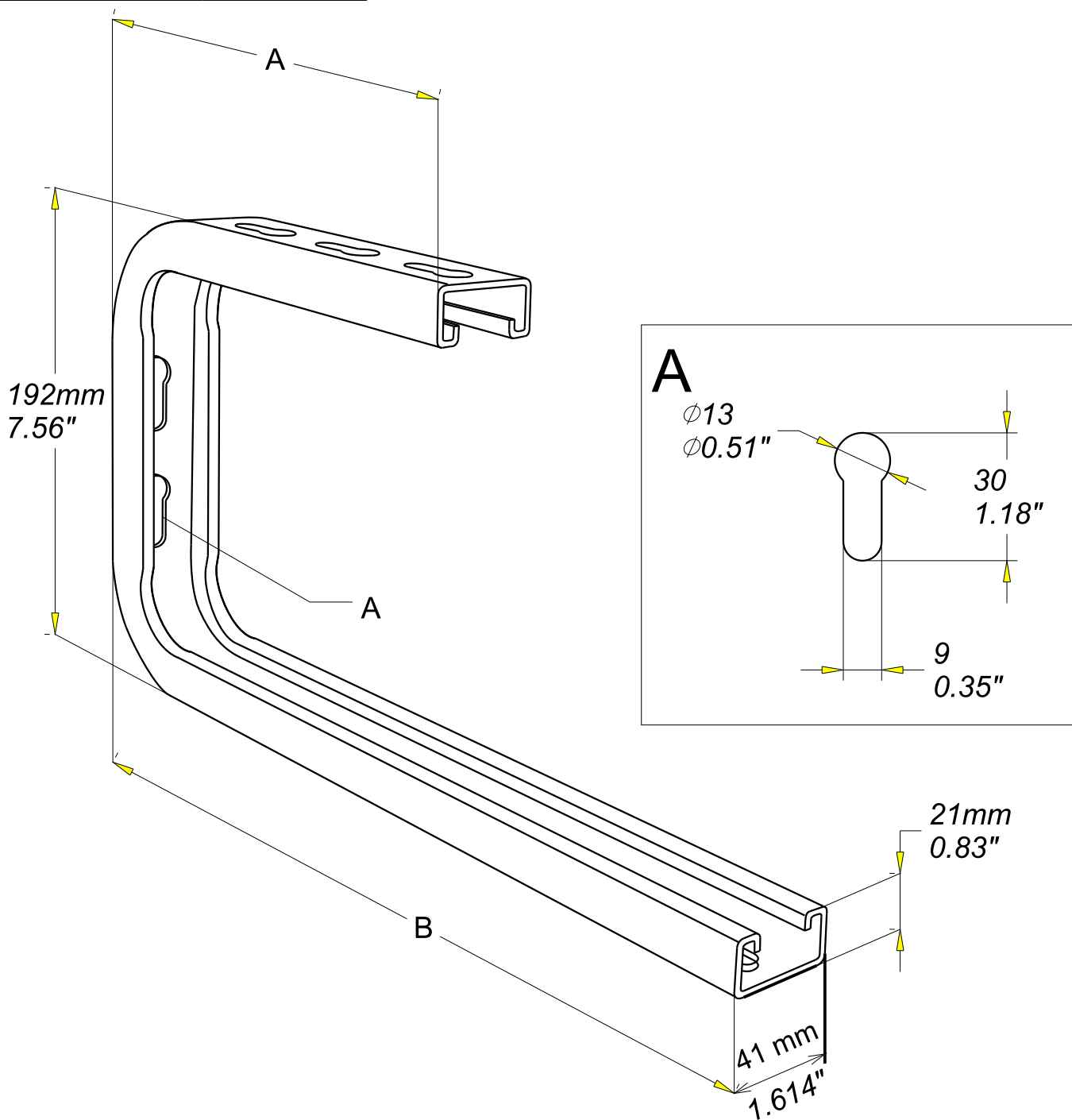
INOX 316L  
INOX 316L



CABLE  
MANAGEMENT

FT0338-4

12 / 17



REF	CODE	POIDS WEIGHT		A		B		EP. mm	TH. inch
		kg	lb	mm	inch	mm	inch		
CCP21S 150	597 704	0,730	1,611	142	5,59	150	5,91	2	0,08
CCP21S 200	597 714	0,810	1,788	142	5,59	200	7,88	2	0,08
CCP21S 300	597 724	1,120	2,472	192	7,56	300	11,82	2	0,08
CCP21S 400	597 734	1,370	3,024	242	9,53	400	15,76	2	0,08

Material	Standard
X2 CrNiMo 17-12-2	EN 10088-2