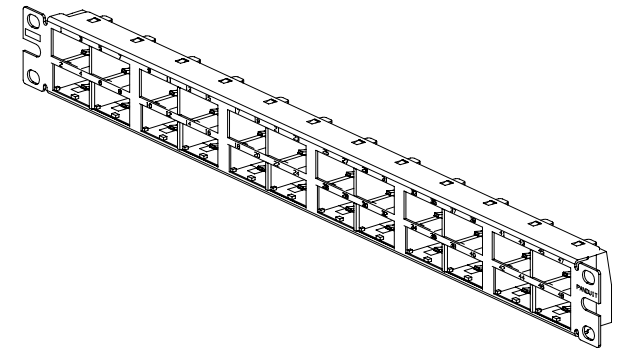
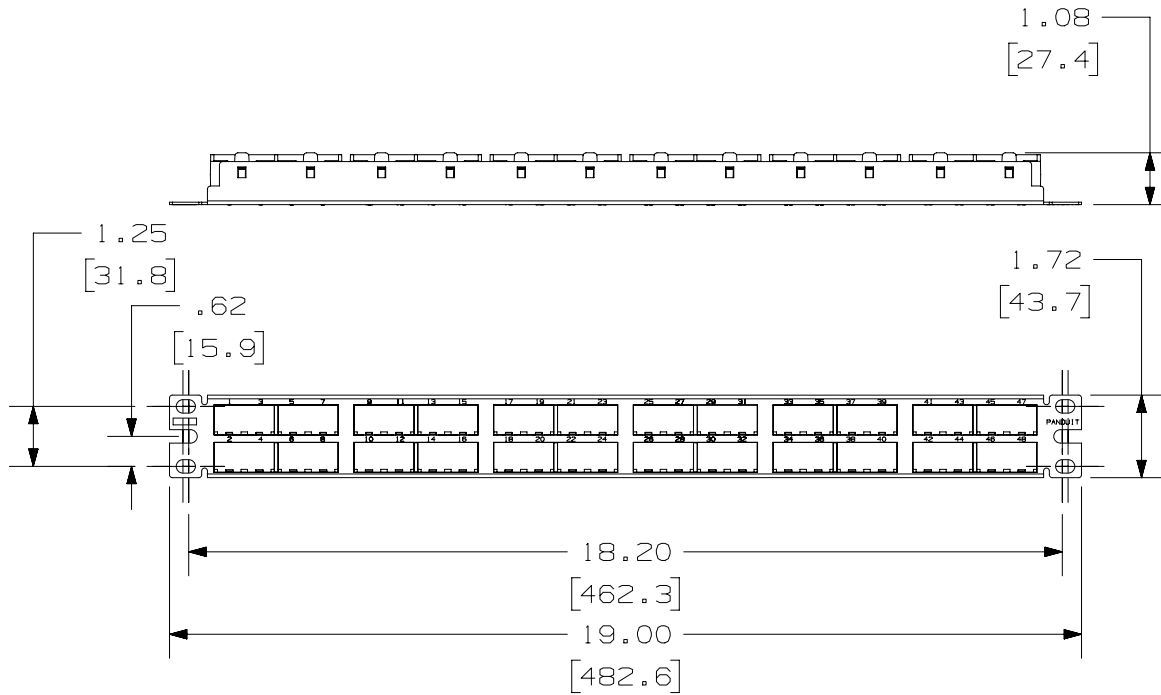


THIS COPY IS PROVIDED ON A RESTRICTED BASIS AND IS NOT TO BE USED IN ANY WAY DETRIMENTAL TO THE INTERESTS OF PANDUIT CORP.

PANDUIT P/N	WEIGHT
CPP48HDVNSWBL	6.15 LB/10 PCS (2788.0 g/10 PCS)

NOTES:

- SEE CURRENT CATALOG FOR VARIOUS APPLICATIONS WITH THIS WIRING SYSTEM.
- THE HIGH DENSITY PATCH PANEL IS DESIGNED FOR MOUNTING TO 19" UNIVERSAL RACKS.
- PACKAGE CONTENTS:
 - (1) -48 PORT STAMPING
 - (6) -8 POSITION FACEPLATE (ASSEMBLED TO PANEL)
 - (1) -SCREW KIT (INCLUDES FOUR #12-24 SCREWS)
- DIMENSIONS IN [] ARE IN METRIC.



PART NUMBER		CPP48HDVNSWBL		
TITLE		MINI-COM 48 PORT HIGH DENSITY MODULAR PATCH PANEL WITH VERTICAL NUMBERING SEQUENCE CUSTOMER DRAWING		
ITEM REVISION NAME		M00741AT/01		
DATASET FILE NAME		M00741AT_DC/01A		
UNLESS OTHERWISE SPECIFIED, DIMENSIONAL TOLERANCES ARE: IN (mm)		MATERIAL:		
.x ± .xxx ± .010 [.3]		PANEL: C.R.S. FACEPLATE: ABS		
.xx ± .03 [.8]		DRAWING NUMBER:		
ANGLES ±		00741-117		
THIRD ANGLE PROJECTION		SHT 1 OF 1		
DRAWN BY	DATE	CHK	SCALE	SIZE
JSP	9-27-06	MJD	NONE	A

REV	DATE	BY	CHK	APR	DESCRIPTION	ECN
2	11/14/18	BAME	KRKE	MMR	B. REMOVED METRIC MOUNTING SCREWS	00741-117
1	5/7/14	JSP	REFR	MMR	A. REVISED DRAWING TITLE BLOCK.	00741-117
R	9-27-06	JSP	MJD	MJD	RELEASED TO PRODUCTION	00741-117

D10100DA/14