

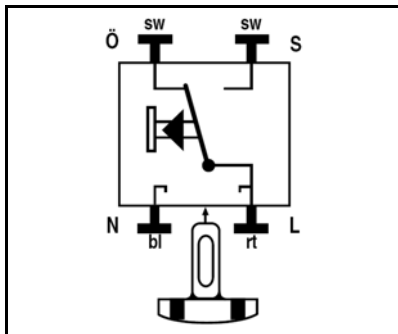


Description: 1-gang push-button (1-pole, 2-way)
with terminal for N conductor
without symbol

Ref.-no.: 633 A

illumination possible with lamps

Can be converted into pull cord push-button by means of pull
cord insert ref.-no.: 34.



Contact assignments

Technical data

Switching voltage: AC 250 V ~
Switching current: 10 AX
Connection: spring clip
Switch type: 1-pole, 2-way

Accessories

Lamp: Ref.-no.: 90 (230 V, 1.1 mA)
Ref.-no.: 95 (230 V, 0.5 mA)
Ref.-no.: 96-12 (12 V, 40 mA)
Ref.-no.: 96-24 (24 V, 25 mA)
Ref.-no.: 96-36 (36 V, 20 mA)
Ref.-no.: 96-48 (48 V, 25 mA)

LED lamp: Ref.-no.: 961248 LED RT (red 12 – 48 V, ca. 4 mA)
Ref.-no.: 961248 LED GN (green 12 – 48 V, ca. 4 mA)
Ref.-no.: 90-LED RT (red 230 V, ca. 1.1 mA)
Ref.-no.: 90-LED GN (green 230 V, ca. 1.1 mA)

Pull cord insert: Ref.-no.: 34

Symbols: Ref.-no.: 33 L (white, symbol light)
Ref.-no.: 33 K (white, symbol bell)
Ref.-no.: 33 T (white, symbol door)
Ref.-no.: 33 GN (green, neutral)
Ref.-no.: 33 KLAR (transparent)
Ref.-no.: 33 O (orange, neutral)
Ref.-no.: 33 STOP (white, STOP)