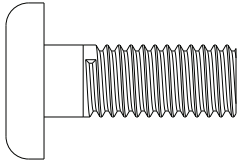
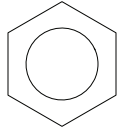


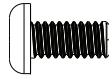
### Hardware Required for Assembly (included):



**(12) 3/8-16  
Carriage Bolts**



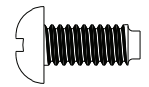
**(12) 3/8-16 Hex  
Serrated Flange  
Nuts**



**(4) #10-32  
Screws**

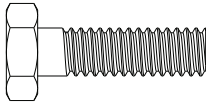


**(2) #10-32  
Nuts**

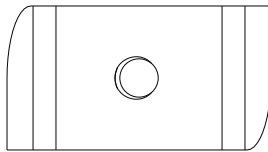


**(4) #12-24  
Screws**

### Hardware Required for Overhead Installation (not included):



**(4) 1/4-20 Bolts**



**(4) 1/4-20 Strut Nuts**



**(4) 1/4-20 Spring  
Washer**

### Tools required for rack assembly and overhead mounting:

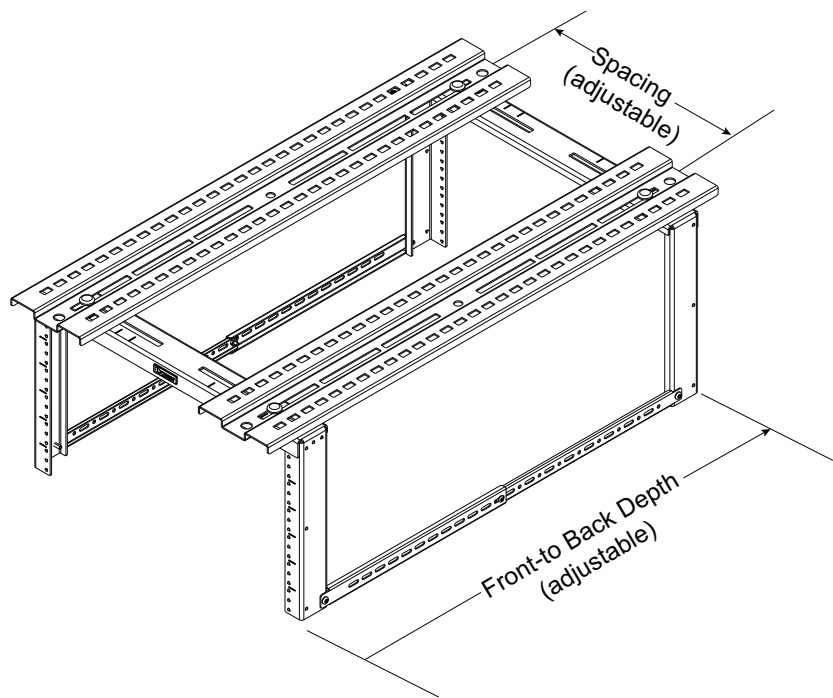
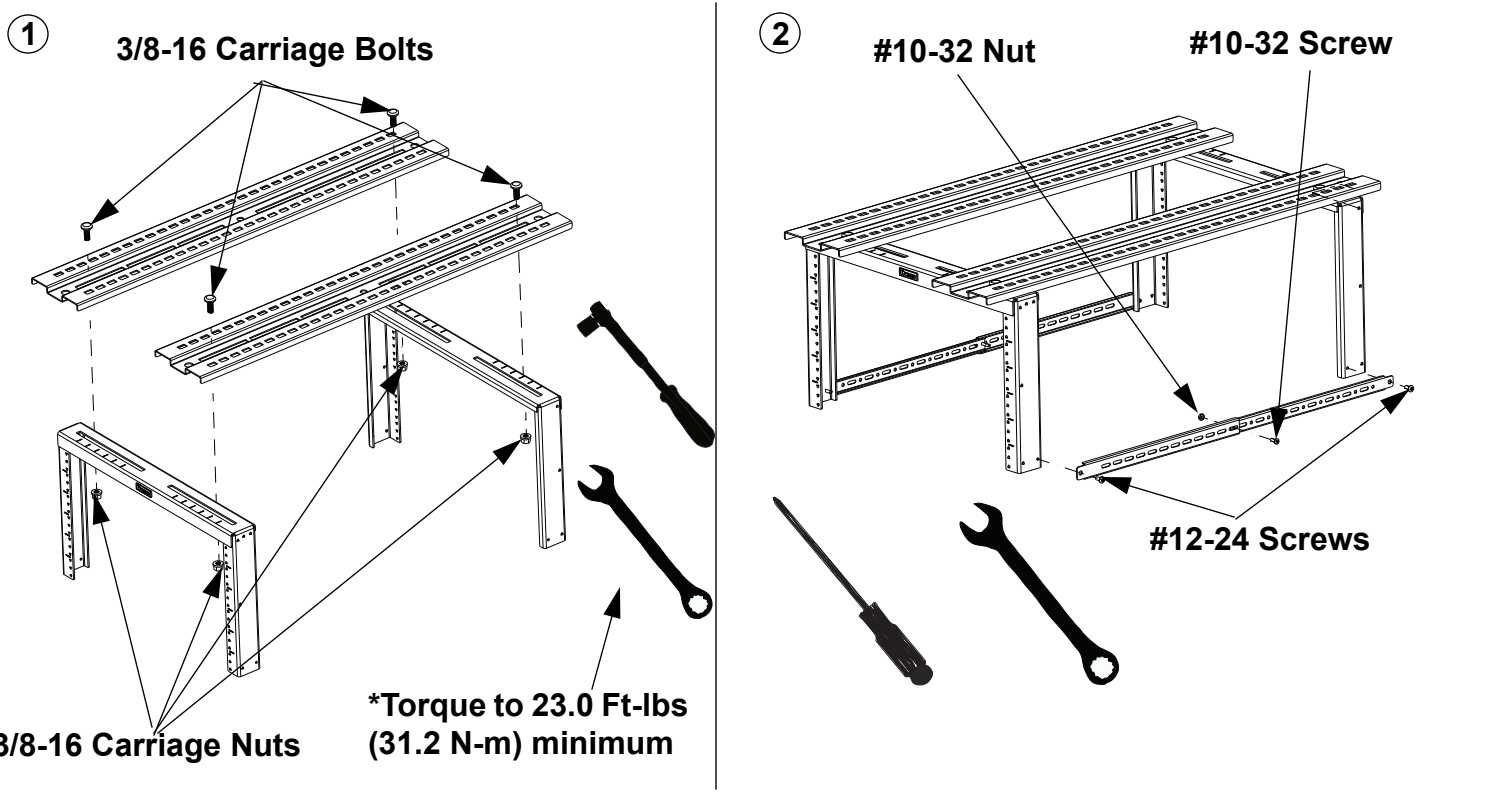


### Rack Assembly

Part Numbers: PZLRB4P4, PZLRB4P6

**For maximum stability:**

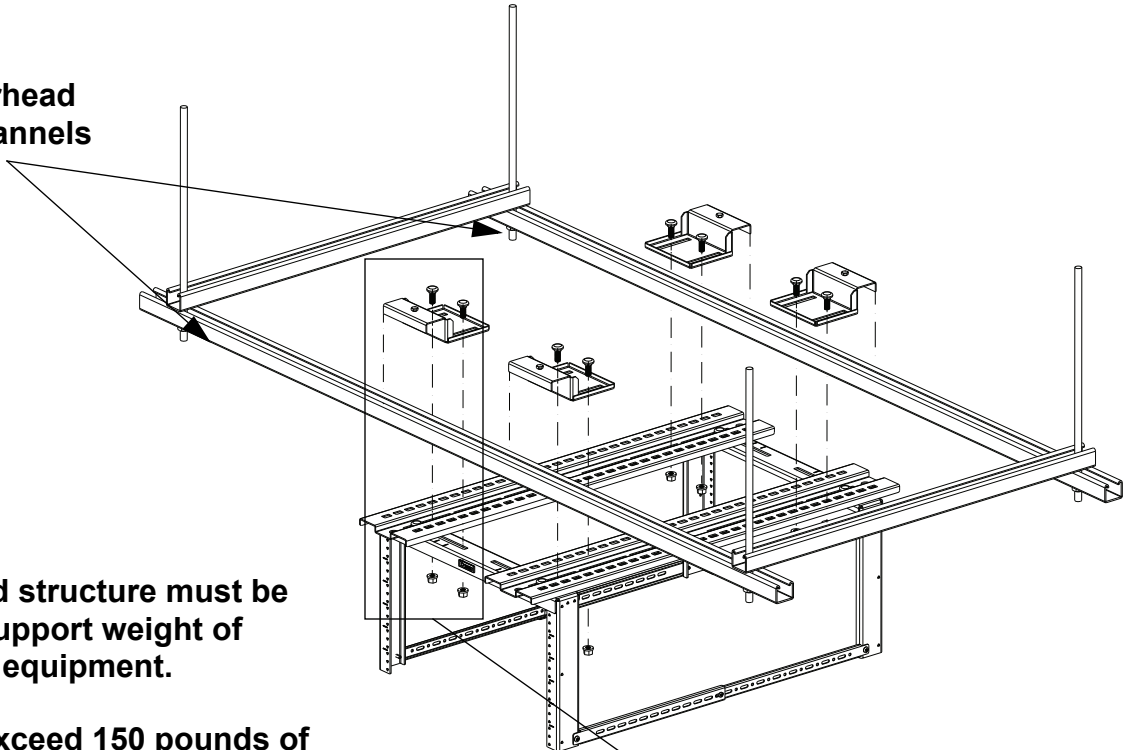
- Panduit recommends that the mount channels be installed centered on the main brackets.
- Panduit recommends that the mount channels be installed at the widest possible spacing.



For Technical Support: [www.panduit.com/resources/install\\_maintain.asp](http://www.panduit.com/resources/install_maintain.asp)

### Installation of Rack to Unistrut Overhead Structure

Unistrut Overhead Structure Channels



Overhead structure must be able to support weight of rack and equipment.



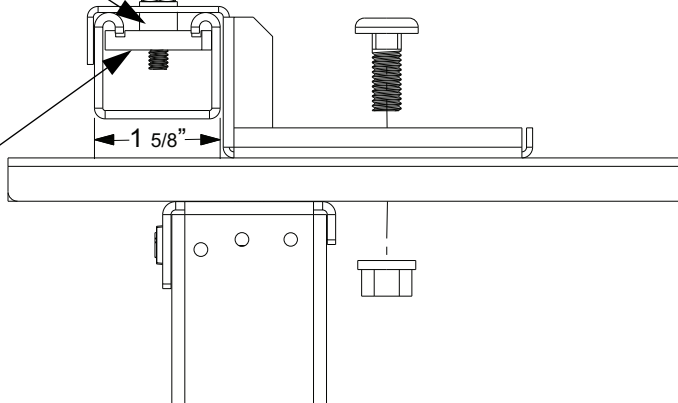
Do not exceed 150 pounds of equipment weight.

3/8-16 Carriage Bolts

1/4-20 Spring Washer

1/4-20 Bolt  
Torque to 6 ft-lbs.  
(8.1 N-m) minimum

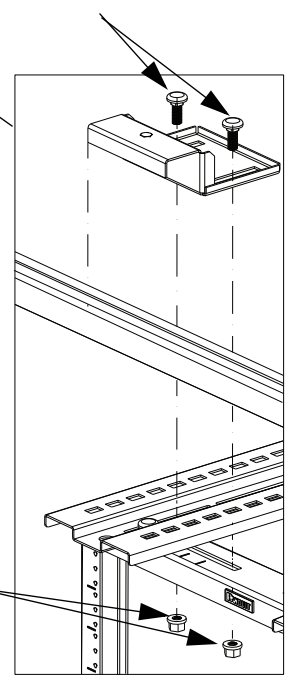
1/4-20  
Strut Nut



Side View-4X



3/8-16 Carriage Nuts

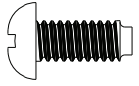


\*Torque to 23.0 Ft-lbs  
(31.2 N-m) minimum

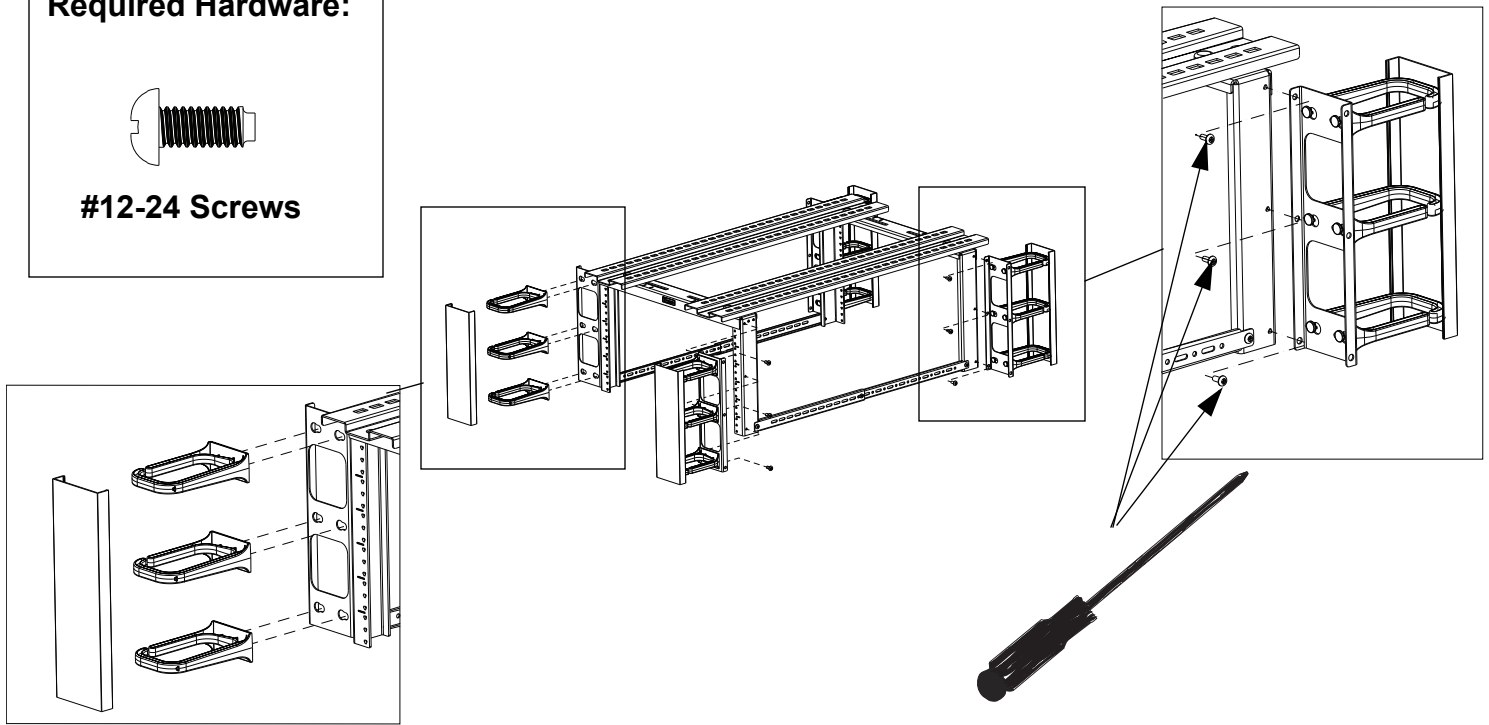
### Assembly of D-Ring Panels

Part Numbers: PZLRB4P6LR, PZLRB4P6SR, PZLRB4P4SR

#### Required Hardware:



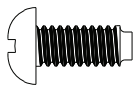
#12-24 Screws



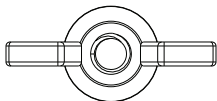
### Assembly of End Panels

Part Numbers: PZLRB4P6EP, PZLRB4P4EP

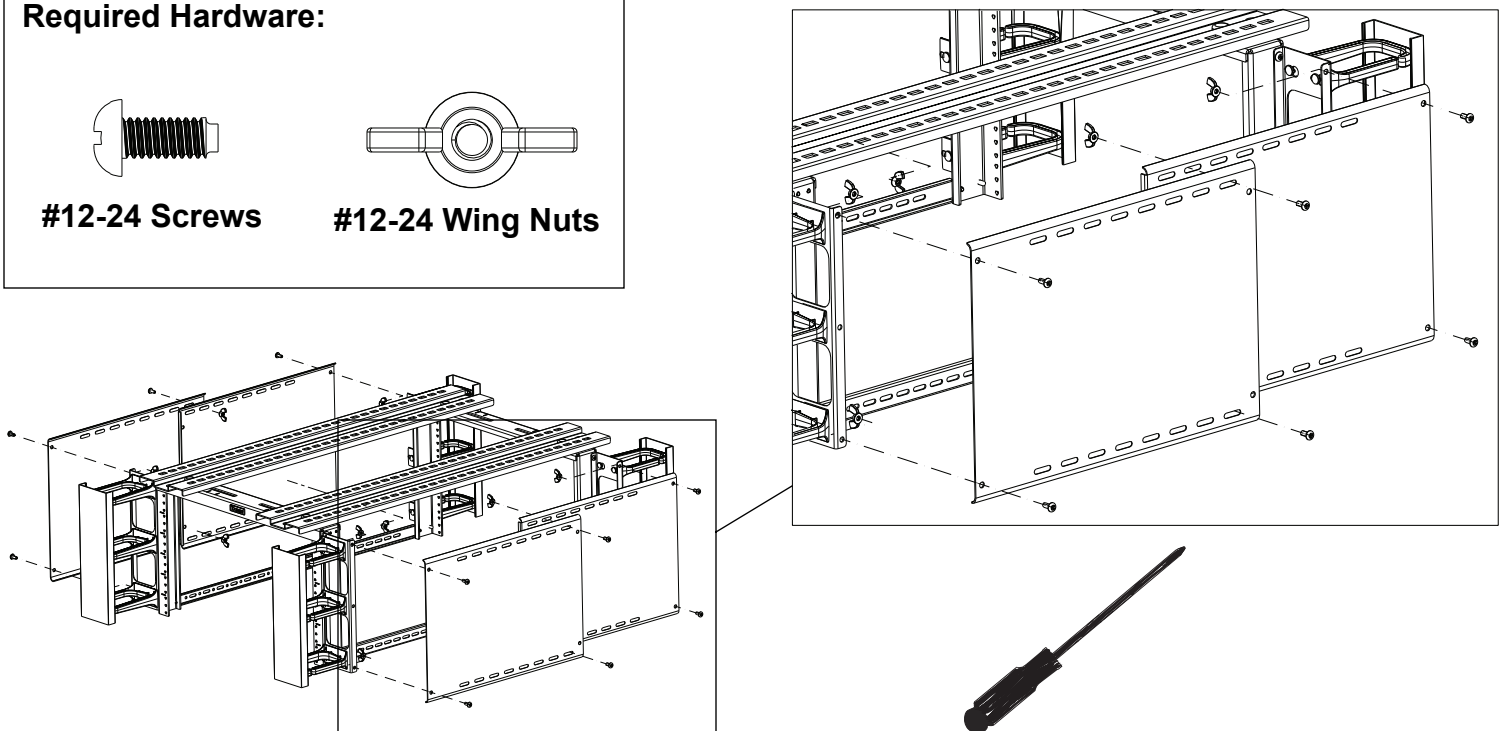
#### Required Hardware:



#12-24 Screws



#12-24 Wing Nuts



For Instructions in Local Languages  
and Technical Support:

[www.panduit.com/resources/install\\_maintain.asp](http://www.panduit.com/resources/install_maintain.asp)

**PANDUIT**  
[www.panduit.com](http://www.panduit.com)

E-mail:  
[cs@panduit.com](mailto:cs@panduit.com)

Fax:  
(708) 444-6448