

1SNL340011R0000 ✓ ACTIVE

ENTRELEC

TE Internal #: 1SNL340011R0000

Power Distribution Blocks, Single Pole, 1 Pole, 400 A Current Rating (UL), 14 Position, Wire & Cable, Power, DIN Rail, -55 – 110 °C [-67 – 230 °F]

[View on TE.com >](#)



Connectors > Terminal Blocks & Strips > Power Distribution Blocks



Number of Poles: 1

Circuit Configuration: **Single Pole**

Current Rating (IEC): **550 A**

Current Rating (UL): **400 A**

Number of Positions: **14**

Features

Product Type Features

Sealable	No
Connector & Contact Terminates To	Wire & Cable

Configuration Features

Number of Poles - Main Circuit	2
Block Configuration	Feed-Through
Number of Poles - Output 1	12
Number of Levels	1
Number of Circuits	1
Number of Poles	1
Circuit Configuration	Single Pole
Number of Positions	14

Electrical Characteristics

Impulse Withstanding Voltage Rating (IEC)	8000 V
Short-Time Withstanding Current Rating @ 1s	22800 A
Operating Voltage Rating (UL & CSA) (Max) - Main Circuit	1000 V
Voltage Rating (CSA)	1000 V
Peak Withstanding Current Rating	51 kA



Voltage Rating (IEC)	1500 VDC
----------------------	----------

Dielectric Test Voltage	2200 V
-------------------------	--------

Power Loss	17.6 W
------------	--------

Input Current (Max)	550 A
---------------------	-------

Current Rating (IEC)	550 A
----------------------	-------

Current Rating (UL)	400 A
---------------------	-------

Body Features

Product Weight	202 g
----------------	-------

Contact Features

Contact Current Rating (Max)	550 A
------------------------------	-------

Mechanical Attachment

Tightening Torque - Output 1	18 – 26.5 in-lbs
------------------------------	------------------

Connection Type	Screw
-----------------	-------

Tightening Torque - Main Circuit	168 – 185 in-lbs
----------------------------------	------------------

Connector Mounting Type	DIN Rail
-------------------------	----------

Housing Features

Housing Material	Polyamide
------------------	-----------

Housing Color	Gray
---------------	------

Dimensions

Output 1 Capacity - 1 Insulated Ferrule	14 – 6 AWG
-----------------------------------------	------------

Output 2 Capacity - 1 Rigid Stranded Conductor	2.5 – 16 mm ²
------------------------------------------------	--------------------------

Main Circuit Capacity - 1 Insulated Ferrule per Screw Clamp	4 – 250 mm ²
-------------------------------------------------------------	-------------------------

Main Circuit Capacity - 1 Rigid Stranded Conductor per Screw Clamp	14 – 6 kcmil
--------------------------------------------------------------------	--------------

Output 1 Capacity - 1 Rigid Stranded Conductor	2.5 – 16 mm ²
------------------------------------------------	--------------------------

	4 – 000 in
--	------------

Main Circuit Capacity - Flexible Bar	2.5 – 16 mm[14 – 6 in]
--------------------------------------	------------------------

Wire Stripping Length - Output 1	11 mm[.43 in]
----------------------------------	---------------

Wire Stripping Length - Main Circuit	28 mm[1.1 in]
--------------------------------------	---------------

Tool Size - Output 2	11 mm[.43 in]
----------------------	---------------

Hole Diameter - Output 1	6.7 mm[.26 in]
--------------------------	----------------

Tool Size - Output 1	28 mm[1.1 in]
----------------------	---------------

Hole Diameter - Main Circuit	15.5 mm[.59 in]
------------------------------	-----------------



Tool Size - Main Circuit	6 mm[.24 in]
Product Spacing	.24 mm[95 in]
Rated Cross Section	3 AWG
Product Depth	46 mm[1.81 in]
Product Width	.19 mm[6 in]
Product Length	250 mm
Product Height	46 mm[1.81 in]

Usage Conditions

Storage Temperature Range	-55 – 110 °C[-67 – 230 °F]
Installation Temperature Range	-5 – 40 °C[23 – 104 °F]
Operating Temperature Range	-55 – 110 °C[-67 – 230 °F]

Operation/Application

Circuit Application	Power
---------------------	-------

Industry Standards

Tool - Output 1	Allen Key
Tool - Main Circuit	Allen Key
IP Rating	IP10
UL Flammability Rating	UL 94V-0

Product Compliance

[For compliance documentation, visit the product page on TE.com>](#)

EU RoHS Directive 2011/65/EU	Compliant with Exemptions
EU ELV Directive 2000/53/EC	Compliant with Exemptions
China RoHS 2 Directive MIIT Order No 32, 2016	Restricted Materials Above Threshold
EU REACH Regulation (EC) No. 1907/2006	Current ECHA Candidate List: JUNE 2022 (224) Candidate List Declared Against: JUNE 2022 (224) SVHC > Threshold: Pb (3.5% in Component Part) Article Safe Usage Statements: Do not eat, drink or smoke when using this product. Wash thoroughly after handling. Recycle if possible and dispose of the article by following all applicable governmental regulations relevant to your geographic location.
Halogen Content	Low Halogen - Br, Cl, F, I < 900 ppm per homogenous material. Also BFR/CFR/PVC Free
Solder Process Capability	Not reviewed for solder process capability

Product Compliance Disclaimer

This information is provided based on reasonable inquiry of our suppliers and represents our current actual knowledge based on the information they provided. This information is subject to change. The part numbers that TE has identified as EU RoHS compliant have a maximum concentration of 0.1% by weight in homogenous materials for lead, hexavalent chromium, mercury, PBB, PBDE, DBP, BBP, DEHP, DIBP, and 0.01% for cadmium, or qualify for an exemption to these limits as defined in the Annexes of Directive 2011/65/EU (RoHS2). Finished electrical and electronic equipment products will be CE marked as required by Directive 2011/65/EU. Components may not be CE marked. Additionally, the part numbers that TE has identified as EU ELV compliant have a maximum concentration of 0.1% by weight in homogenous materials for lead, hexavalent chromium, and mercury, and 0.01% for cadmium, or qualify for an exemption to these limits as defined in the Annexes of Directive 2000/53/EC (ELV). Regarding the REACH Regulation, the information TE provides on SVHC in articles for this part number is based on the latest European Chemicals Agency (ECHA) 'Guidance on requirements for substances in articles' posted at this URL: <https://echa.europa.eu/guidance-documents/guidance-on-reach>

Compatible Parts



TE Part # 1SNK900001R0000
BAM4



TE Part # 1SET111021R0000
WF160-18-IV

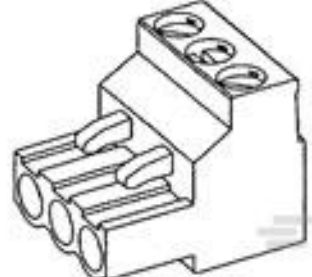


TE Part # 1SET111040R0000
WF160-18-BL

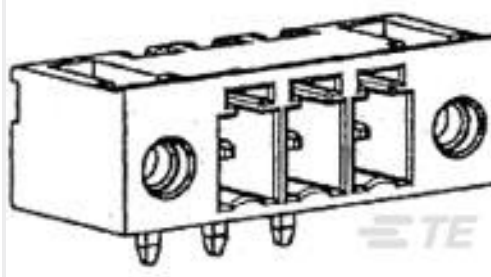
Customers Also Bought



TE Part #2-1625999-0
HSC100 22R 5%



TE Part #796640-6
6 POS 5.0 MM R/A PLUG, TRM BLK



TE Part #796864-4
4 POS TERMI-BLOK HDR RT ANGLE



TE Part #1SNK505910R0000
ES4



TE Part #DT04-12PA-LE01
REC, 12P, GRY, N, CAP, FLANGE, A



TE Part #2-31897-2
PIDG 22-16 22-18MIL R 3/8;TAPE



TE Part #1-1630019-3
HSC200 22R 5%



TE Part #1SNK522010R0000
ZS70



Documents

CAD Files

3D PDF

3D

Customer View Model

[ENG_CVM_CVM_1SNL340011R0000_B.2d_dxf.zip](#)

English

Customer View Model

[ENG_CVM_CVM_1SNL340011R0000_B.3d_igs.zip](#)

English

Customer View Model

[ENG_CVM_CVM_1SNL340011R0000_B.3d_stp.zip](#)

English

By downloading the CAD file I accept and agree to the [Terms and Conditions](#) of use.

Datasheets & Catalog Pages

[ENTRELEC DBL Power Distribution Blocks Catalogue](#)

French

[ENTRELEC DBL Power Distribution Blocks Catalogue](#)

English

[ENTRELEC Terminal Block - Master Catalog](#)

English

[DBL Power-Distribution-Blocks](#)

English

[Essential Entrelec Terminal Blocks](#)

French

[Essential Entrelec Terminal Blocks](#)

English

Agency Approvals

UL

English