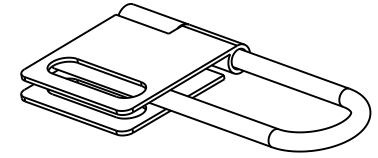
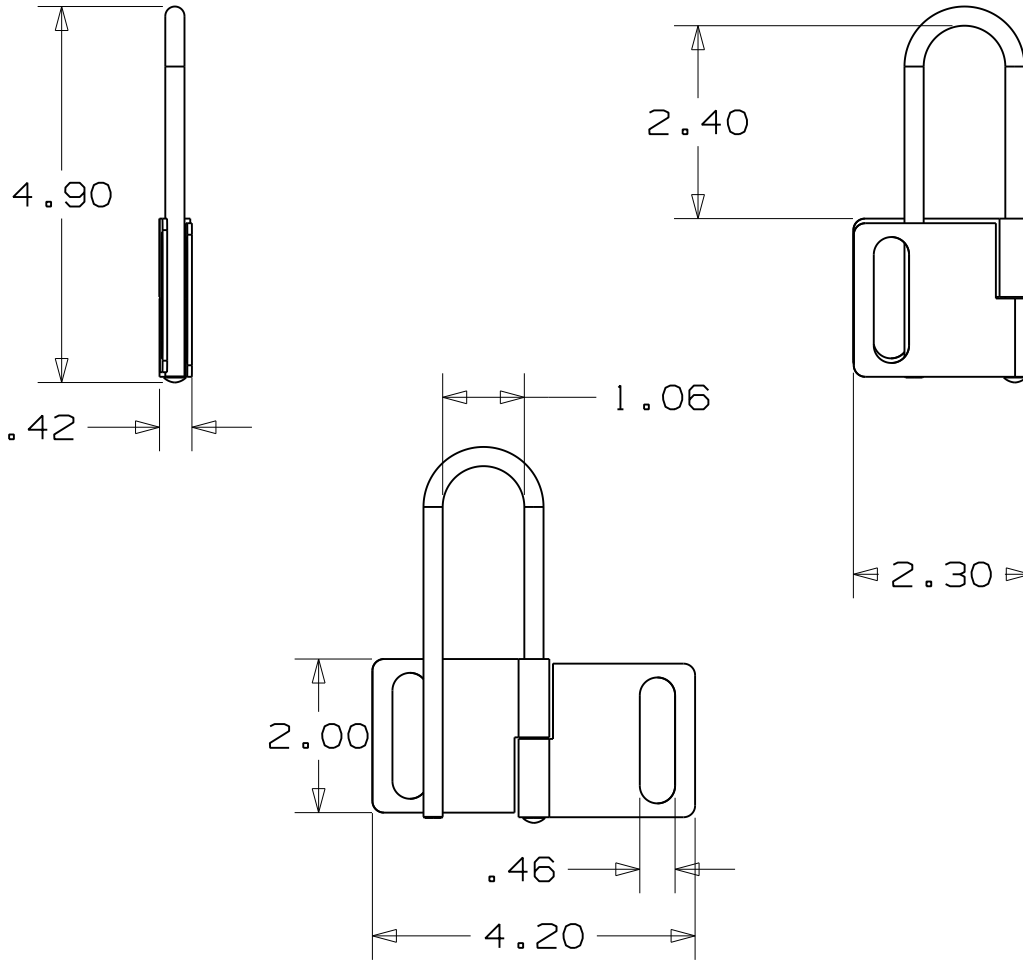


THIS COPY IS PROVIDED ON A RESTRICTED BASIS AND IS NOT TO BE USED IN ANY WAY DETRIMENTAL TO THE INTERESTS OF PANDUIT CORP.



NOTES:

1. OPERATIONAL TEMPERATURE RANGE: -40°F (-40°C) TO 140°F (60°C)
2. STORAGE TEMPERATURE RANGE: -40°F (-40°C) TO 250°F (120°C)
3. CAUTION: TOUCHING METAL AT EXTREME TEMPERATURES CAN CAUSE BURNS AND OTHER INJURIES

CAD FILENAME/LAYERS 140019AB_DC_C10892/00A

PANDUIT CORP. TINLEY PARK, ILLINOIS

PSL-HD2.4
CUSTOMER DRAWING

UNLESS OTHERWISE SPECIFIED,
DIMENSIONAL TOLERANCES ARE:
(.X) ± .1 (.XXX) ± .025
(.XX) ± .05 ANGLES ± 5°

UNLESS OTHERWISE SPECIFIED,
ALL DIMENSIONS ARE GIVEN
IN INCHES, THIRD ANGLE PROJECTION.

DRAWN BY
BSW
DATE
01/27/11
CHK'D

MAT'L:
STEEL

SCALE
2:5
DRAWING NO.
C10892
DWG
SIZE
A

REV	DATE	BY	CHK	DESCRIPTION	ECN	R	CUST	SUP
0	1/27/11	BSW		DRAWING RELEASE	6291			