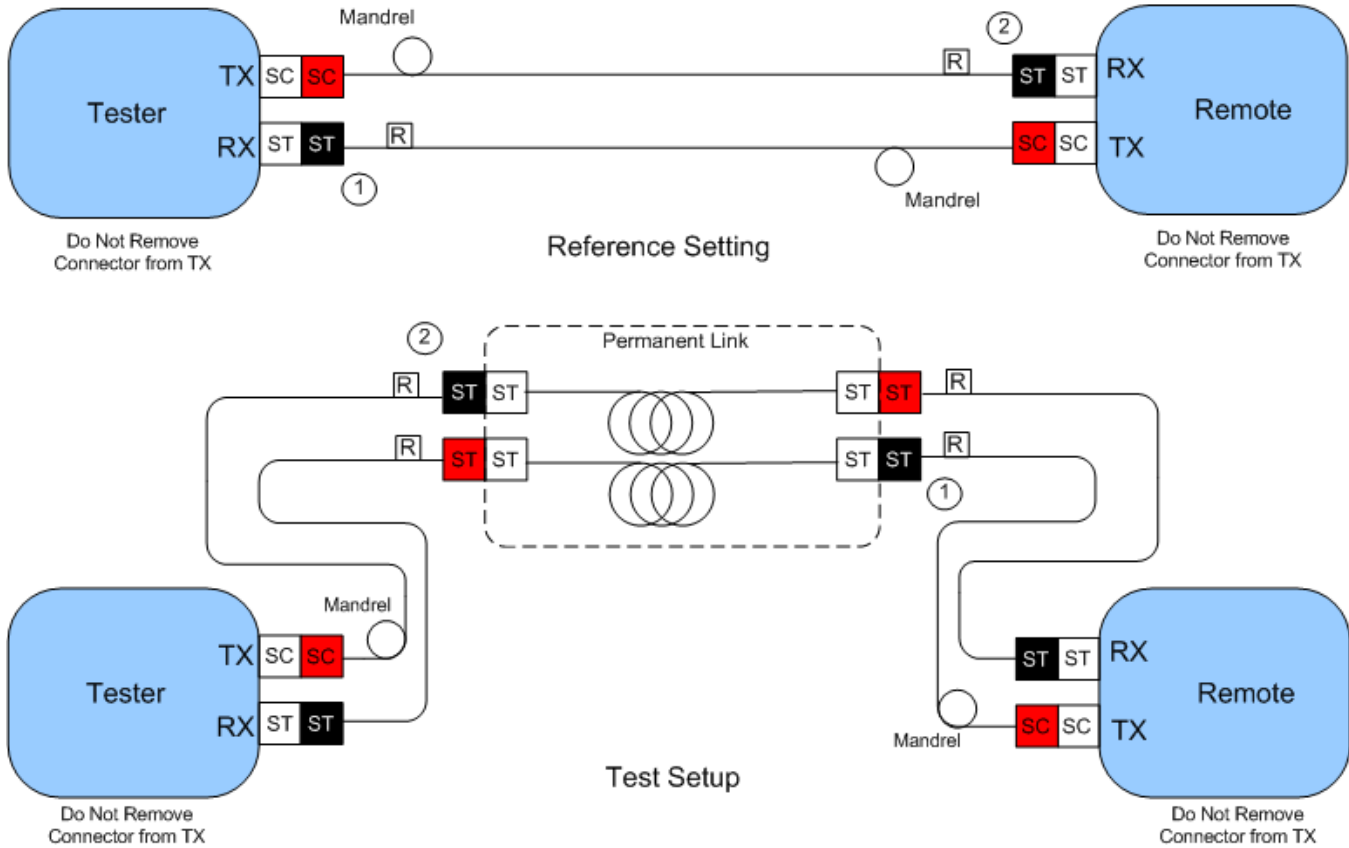


## ST Perm Link with SC TX and ST RX on Test Set (Test Method B)



To complete this test you will need two (2) Simplex Standard ST to Reference Grade SC Cords and two (2) Simplex Standard ST to Reference Grade ST Cords (part numbers as follows per fiber type):

- 2 - [FR1XS2-R3M02](#) (50µm)
- 2 - [FR1XS2-R2M02](#) (50µm)
- 2 - [FR16S2-R3M02](#) (62.5µm)
- 2 - [FR16S2-R2M02](#) (62.5µm)
- 2 - [FR19S2-R3M02](#) (9µm)
- 2 - [FR19S2-R2M02](#) (9µm)

### Master Kits

- [FR1XS2-R2KIT](#) (5µm)
- [FR16S2-R2KIT](#) (62.5µm)
- [FR19S2-R2KIT](#) (9µm)

**Note:** Mandrels included in Master Kits

**[R]** Reference Quality Connector