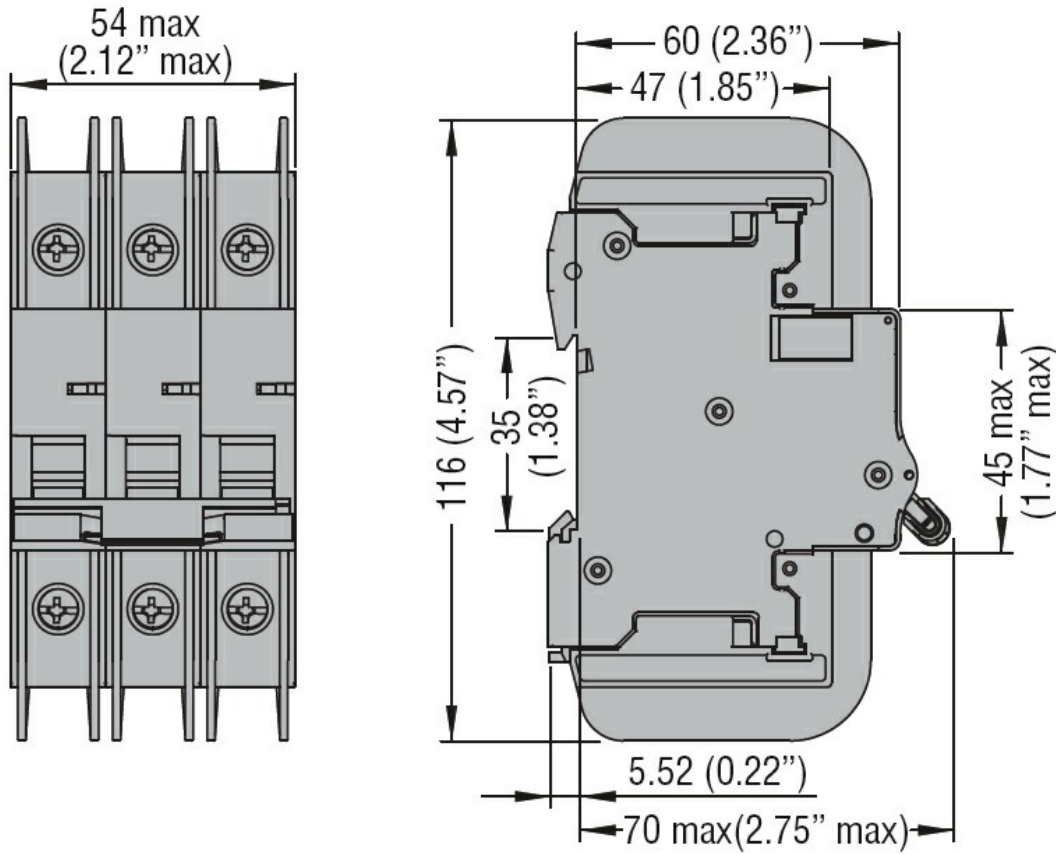




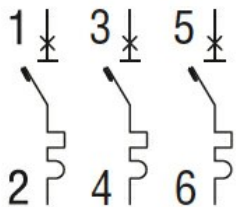
Product designation	Miniature circuit breaker (MCB)			
Product type designation	P1 MB			
Number of poles	3P			
Number of DIN modules	3			
Compliance	IEC / UL489			
Electrical features				
Rated insulation voltage U_i IEC/EN	V	440		
Rated impulse withstand voltage U_{imp}	kV	4		
Rated operational voltage AC (IEC)	VAC	230/400		
Rated operational voltage AC (UL)	V	240		
Rated frequency	Hz	50/60		
Rated current (I_n)	A	63		
Tripping curve	D			
Short circuit rating (IEC)	kA	10		
Short circuit rating (UL)	kA	10		
Electrical life	cycles	10000		
Power dissipation per pole max	W	5.16		
Ambient conditions				
Operating temperature	min	°C	-40	
	max	°C	+70	
Storage temperature	min	°C	-40	
	max	°C	+80	
Max altitude	m	2000		
Mechanical features				
Operating position	normal	Vertical plan		
Fixing	35mm DIN rail			
Tightening torque for terminals	min	Nm	1.8	
	max	Nm	2	
	min	lbin	16	
	max	lbin	17.7	
Terminals tool	Pz 2			
Conductor section	IEC	min	mm ²	1
		max	mm ²	35
	AWG/Kcmil	min	14	
		max	6	
Mechanical life	cycles	20000		
Weight	g	388		

Frontal IP degree	IP20
Pollution degree	2

Dimensions



Wiring diagrams



Certifications and compliance

Compliance	IEC/EN 60947-2
	UL489
Certifications	cULus
	EAC

ETIM classification

ETIM 8.0	EC000042 - Miniature circuit breaker (MCB)
----------	--