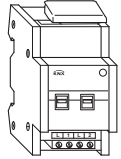


SpaceLogic KNX Switch actuator REG-K/2x230/16 with manual mode

Operating instructions



Art. no. MTN647393

For your safety

⚠️ ⚠️ DANGER

HAZARD OF ELECTRIC SHOCK, EXPLOSION, OR ARC FLASH

Safe electrical installation must be carried out only by skilled professionals. Skilled professionals must prove profound knowledge in the following areas:

- Connecting to installation networks
- Connecting several electrical devices
- Laying electric cables
- Connecting and establishing KNX networks
- Safety standards, local wiring rules and regulations

Failure to follow these instructions will result in death or serious injury.

⚠️ ⚠️ DANGER

RISK OF FATAL INJURY FROM ELECTRIC SHOCK

The output may carry electrical current even when the load is switched off.

- When working on the device: Always disconnect the device from the supply by means of the fuse in the incoming circuit.
- Even if the manual switch is in the „OFF“ position, a KNX telegram can switch the connections to being live at any time. Before working on the device, always disconnect the fuse in the incoming circuit from the supply.

Failure to follow these instructions will result in death or serious injury.

⚠️ CAUTION

The device may be damaged!

- Always operate the product in compliance with the specified technical data.
- Only install devices with at least basic insulation next to the device.

Failure to follow these instruction can result in equipment damage.

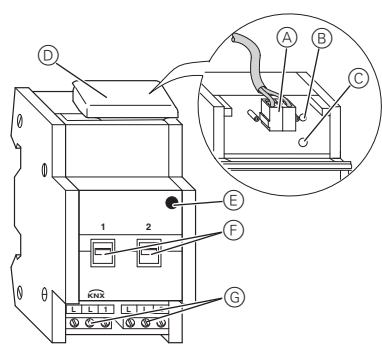
Getting to know the actuator

The switch actuator REG-K/2x230/16 with manual mode (referred to below as the **actuator**) can switch two loads via separate, floating make contacts.

You can also manually switch the connected loads with manual switches on the actuator without bus voltage.

The actuator has a bus coupler. It is installed on a DIN rail TH 35 according to EN 60715, with the bus connection made via a bus connecting terminal. It is supplied with power from the bus voltage. A data rail is not required.

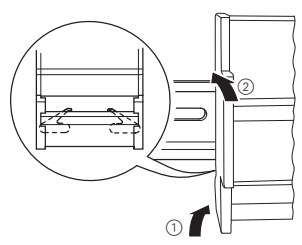
Connections, displays and operating elements



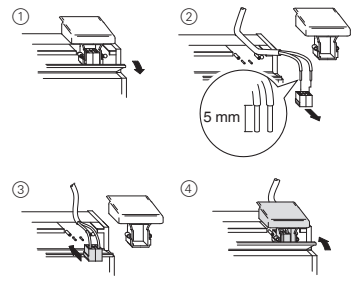
- (A) Bus connection terminal, max. 4 core pairs
- (B) Programming LED (red)
- (C) Programming button
- (D) Cable cover
- (E) Operating LED „RUN“ (green)
- (F) Manual switch
- (G) Screw terminals

Mounting the actuator

- ① Set the actuator onto the DIN rail.



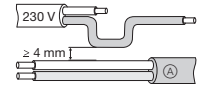
- ② Connect KNX.



⚠️ WARNING

Risk of death from electric shock. The device can become damaged.

Safety clearance must be guaranteed in accordance with IEC 60664--1. There must be at least 4 mm between the individual cores of the 230 V supply cable and the KNX line (A).



⚠️ ⚠️ DANGER

RISK OF FATAL INJURY FROM ELECTRIC SHOCK

Voltage may be present at the outputs when the mains voltage is connected to the system.

If subjected to strong vibrations during transportation, the switch contacts might change to the enabled state. After connecting the bus voltage, set the relays of the channels to the position desired simply by switching „On/Off“ or by changing the manual switch to „OFF“.

Failure to follow these instructions will result in death or serious injury.

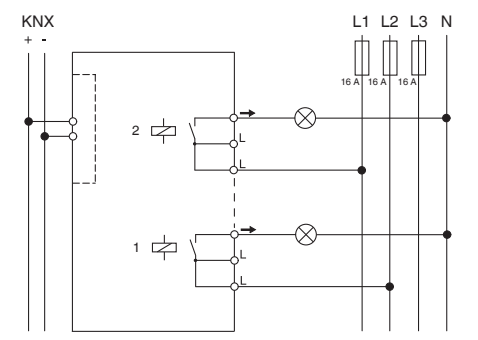
⚠️ CAUTION

The device may be damaged!

- Protect the switch contacts with a series-connected 16 A circuit breaker.
- Failure to follow these instruction can result in equipment damage.**

- ③ Connect the bus voltage.
- ④ Wait at least 30 seconds.
- ⑤ Switch the relays of the channels on and off manually once with the manual switches.
- ⑥ Connect the load.

The cables to the loads as well as the system voltages (L1, L2 or L3) are connected via screw terminals for max. 16 A. Every two L connections are bridged internally.



- ⑦ Connect the mains voltage.
- Now you can check the functionality of the actuator and the connected loads without having to load the application from the ETS (See the section "Operating the actuator").

Putting the actuator into operation

- ① Press the programming button.
The programming-LED lights up.
- ② Load the physical address and application into the device from the ETS.

The programming LED goes out.

The operation LED lights up: The application was loaded successfully, the device is ready for operation.

Operating the actuator

Normally, you control connected devices using push-buttons or by remote control. However, you can manually switch each of the actuator's channels on and off directly at the manual switches.

Technical data

External auxiliary voltage:	None
Power supply from bus:	DC 24 V / max. 10 mA
Insulation voltage:	AC 4 kV between bus / mains voltage
Switch contact:	2 x make contact, floating
Nominal voltage:	AC 100–240 V $\pm 10\%$
Operation voltage:	min. AC 90 V – max. AC 265 V
Mains frequency:	50–60 Hz $\pm 10\%$
Nominal current:	16 A, inductive load $\cos\phi=0,6$
Connected load	
Incandescent lamps:	1600 W at AC 100 V 3600 W at AC 230 V 3840 W at AC 240 V with 10,000 switching cycles
Halogen lamps:	1086 W at AC 100 V 2500 W at AC 230 V 2608 W at AC 240 V with 10,000 switching cycles
Fluorescent lamps:	1086 VA at AC 100 V 2500 VA at AC 230 V 2608 VA at AC 240 V parallel compensated with 5,000 switching cycles
Capacitive load:	16 A, 200 μ F at AC 100 V 16 A, 200 μ F at AC 230 V 16 A, 200 μ F at AC 240 V with 5,000 switching cycles
Fuse:	The switch contact must be protected by 16 A series-connected circuit breaker.
Switching frequency:	max. 10 per minute at nominal load
Ambient temperature:	
Operation:	-5 °C to +45 °C
Max. humidity:	93 %, no moisture condensation
Environment:	can be used at up to 2000 m above sea level (MSL)
Operating elements:	1 programming button 2 manual switches
Display elements:	1 red LED: programming check 1 green LED: ready for operation „RUN“
Connections	
Bus:	via two 1 mm pins for bus connecting terminal
Outer conductor:	2x 3-gang screw terminal for each max. 2.5 mm ²
EC directives:	Low voltage directive 2006/95/EC EMC-directive 2004/108/EC
Device width:	2,5 modules = approx. 45 mm

Schneider Electric -Contact

Schneider Electric Industries SAS
35 rue Joseph Monier
Rueil Malmaison 92500
France

If you have technical questions, please contact the Customer Care Centre in your country.
se.com/contact

**UK
CA** **UK Representative**
Schneider Electric Limited
Stafford Park 5
Telford, TF3 3 BL, UK